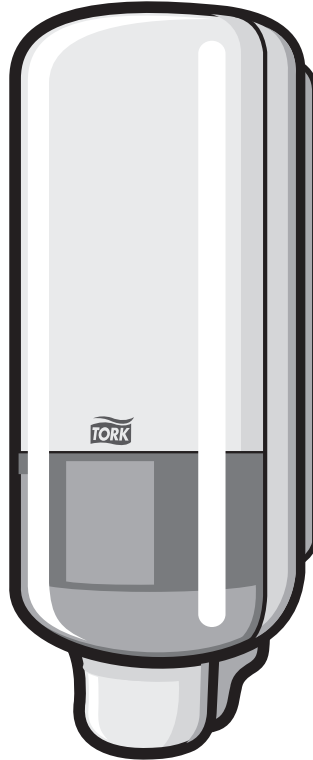
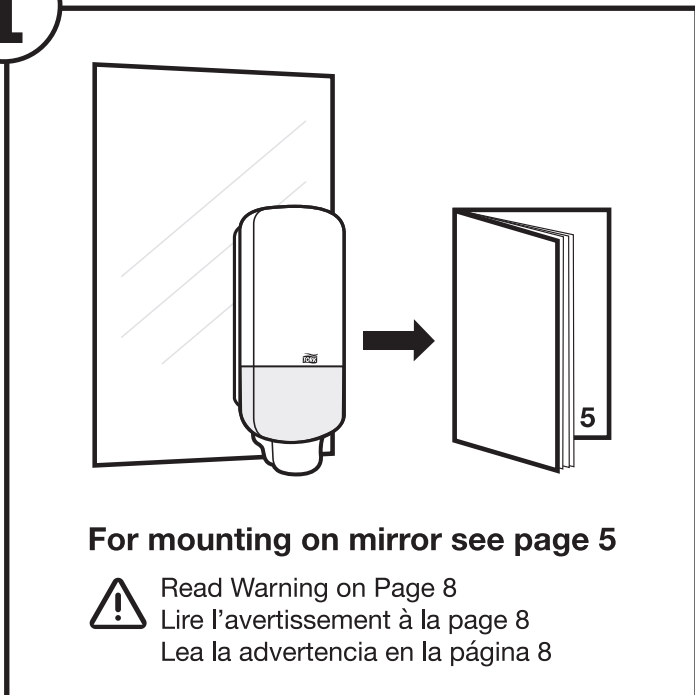
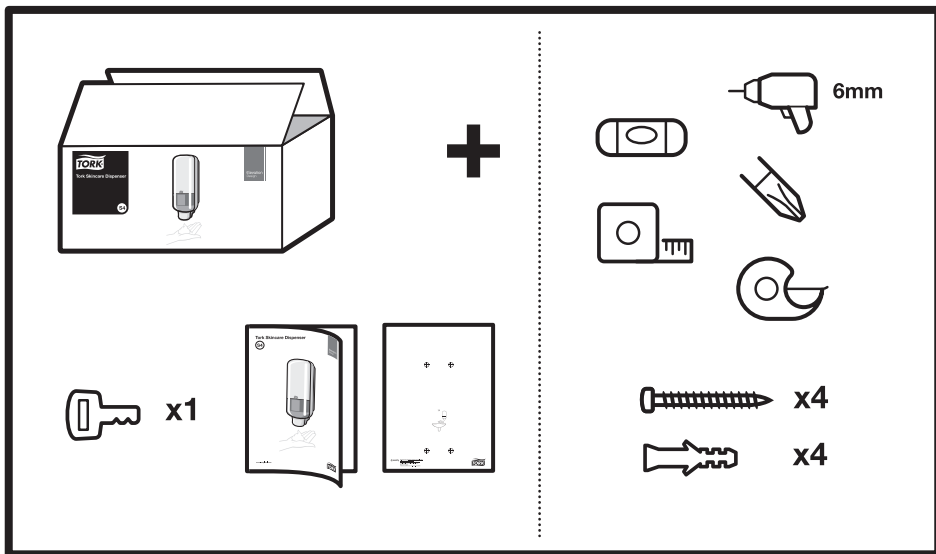


Tork Skincare Dispenser

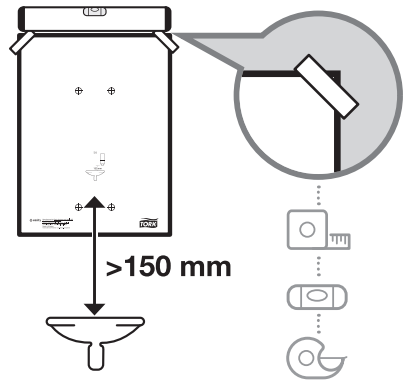
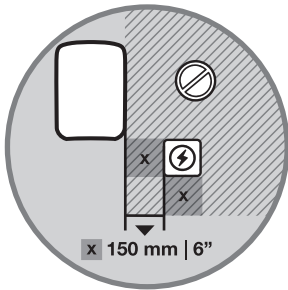
S4

Elevation
Design



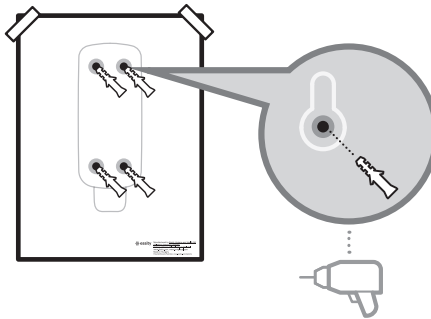


1

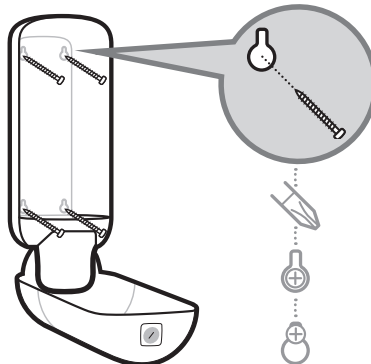


Read Warning on Page 8
Lire l'avertissement à la page 8
Lea la advertencia en la página 8

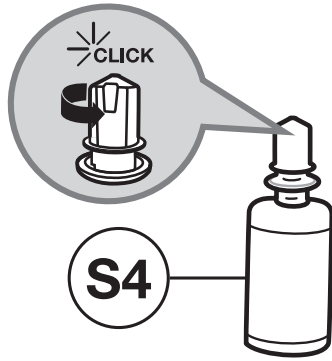
2



3



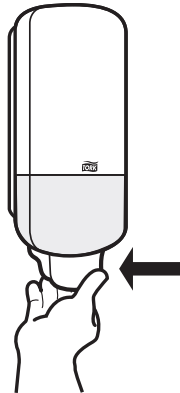
4



5



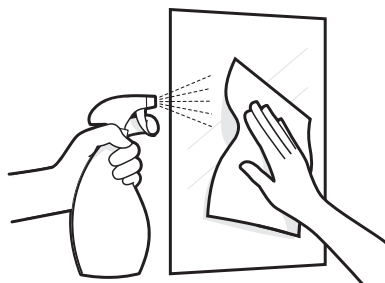
6





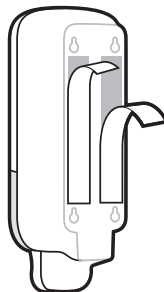
Mounting on mirror

1



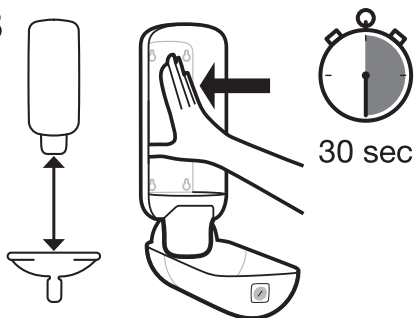
Ensure the mounting surface is flat, clean and dry.

2



Peel the protective liners from the tape exposing the adhesive.

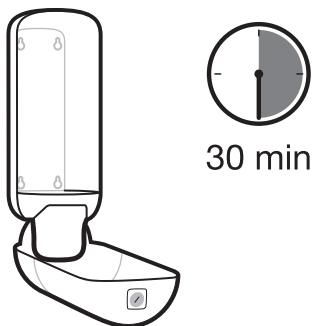
3



>150 mm

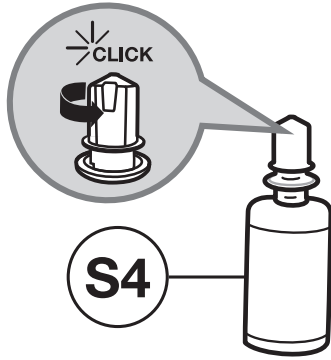
Mount the dispenser to the flat surface, press firmly and hold in place for at least 30 seconds.

4



Do not place the refill or batteries in the dispenser for at least 30 minutes.

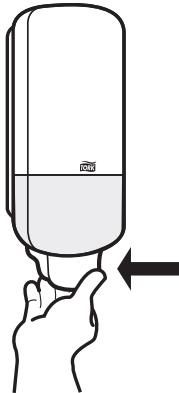
5

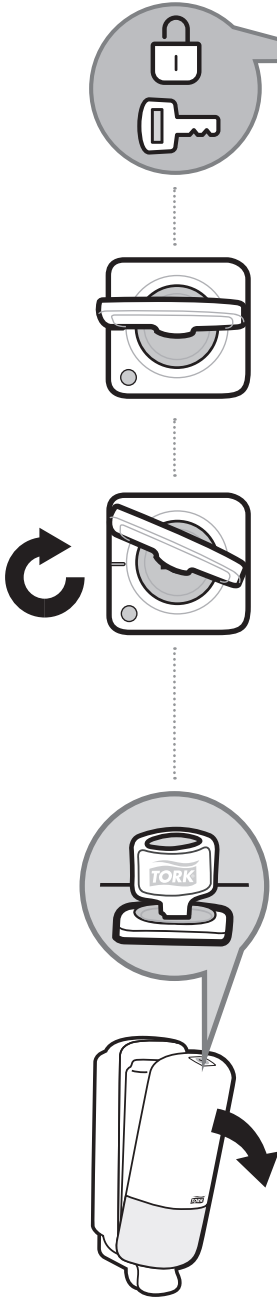


6



7





Warning

- To avoid a potential shock hazard to dispenser users, do not install dispenser directly above an electrical outlet or within six inches from any edge of an electrical outlet.
- Do not place dispenser in a position where users must reach over an electrical outlet to access the dispenser.
- It is the installers responsibility to ensure installation of unit complies with all applicable codes, standards, and regulatory requirements including building codes and electrical codes.

Disposal

- Damaged or malfunctioning product should be disposed of immediately to avoid potential of injury
- Products should be disposed of in accordance with applicable regulations

Cleaning instructions

- Clean dispenser with mild detergent and soft cloth

European Community Design Registration RCD 000929971



Manufactured by Essity Hygiene and Health AB
SE-40503 Göteborg, Sweden

Visiting address: Mölndals Bro 2, Mölndal

www.essity.com, www.torkglobal.com

Made in Hungary

Patents/Brevets/Patentes: www.essity.com/patents

Essity UK Limited
Southfields Road, Dunstable,
Bedfordshire, LU6 3EJ, UK