

SILVER *dynamic* AGM - 595 901 085 J38 2

Informations générales

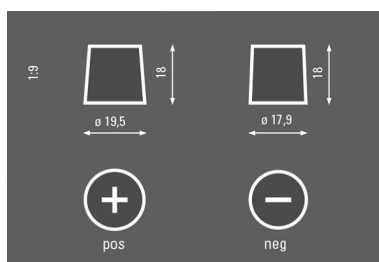
| | |
|-------------------|-------------------|
| VARTA Références | 595 901 085 J38 2 |
| Code ETN | 595 901 085 |
| Référence abrégée | A5 |
| Unité d'emballage | 1 |
| État de l'article | 001 |

Informations Techniques

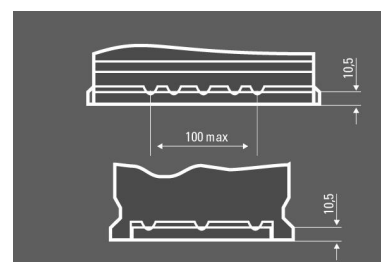
| | | | |
|----------------------------------|-----|---------------------|--------|
| Voltage [V] | 12 | Longueur [mm] | 353 |
| Capacité (Ah) | 95 | Largeur [mm] | 175 |
| Courant d'essai à froid, DIN [A] | | Hauteur [mm] | 190 |
| Courant d'essai à froid, NE [A] | 850 | Hauteur de fixation | |
| Borne | 1 | Taille de bac | H8/LN5 |
| Rebord de fixation | B13 | | |



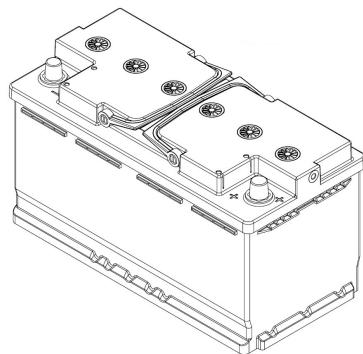
Photo



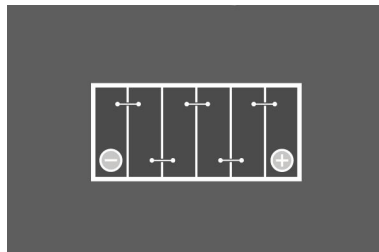
Borne



Listeau



Dessin technique



Disposition pôles

SILVER *dynamic* AGM - 595 901 085 J38 2

| | | | |
|--|---------------|--|---------------|
| ALFA ROMEO | | ALPINA | |
| 164 (164_) | 01/87 # 10/98 | B3 (G20) | 09/19 # |
| 2.5 TD (92 kW) | | BITURBO Traction intégrale (340 kW) | |
| GIULIA (952_) | 10/15 # | B3 Touring (G21) | 09/19 # |
| 2.2 D Q4 (132 kW) | | BITURBO Traction intégrale (340 kW) | |
| STELVIO (949_) | 12/16 # | B4 Coupé (F32) | 03/14 # |
| 2.2 D (110 kW) | | 3.0 B4 BiTurbo (301 kW) | |
| 2.2 D Q4 (132 kW) | | 3.0 B4 BiTurbo Traction intégrale (301 kW) | |
| 2.2 JTDM Q4 (140 kW) | | S BITURBO (324/332 kW) | |
| ALPINA | | S BITURBO Traction intégrale (324/332 kW) | |
| B3 (E90) | 09/07 # 05/13 | B4 Décapotable (F33) | 03/14 # |
| Bi-Turbo (265 kW) | | BITURBO (301 kW) | |
| S Bi-Turbo (294 kW) | | S BITURBO (324/332 kW) | |
| S Bi-Turbo Traction intégrale (294 kW) | | B5 (E60) | 03/05 # 09/10 |
| Bi-Turbo Traction intégrale (265 kW) | | 4.4 (368 kW) | |
| B3 Touring (E91) | 09/07 # 05/13 | S (390 kW) | |
| Bi-Turbo (265 kW) | | B5 Break (E61) | 03/05 # 09/10 |
| S Bi-Turbo (294 kW) | | 4.4 (368 kW) | |
| S Bi-Turbo Traction intégrale (294 kW) | | S (390 kW) | |
| Bi-Turbo Traction intégrale (265 kW) | | B5 (F10) | 09/10 # 12/16 |
| B3 Coupé (E92) | 09/07 # 02/14 | BITURBO (373 kW) | |
| Bi-Turbo (265 kW) | | B5 Break (F11) | 09/10 # 12/16 |
| S Bi-Turbo (294 kW) | | BITURBO (373 kW) | |
| S Bi-Turbo Traction intégrale (294 kW) | | B6 Coupé (E63) | 04/06 # 08/10 |
| GT3 (300 kW) | | 4.4 (368 kW) | |
| Bi-Turbo Traction intégrale (265 kW) | | B6 Décapotable (E64) | 04/06 # 08/10 |
| B3 Décapotable (E93) | 09/07 # 05/13 | 4.4 (368 kW) | |
| BiTurbo (265 kW) | | B6 Coupé (F13) | 09/11 # 03/16 |
| S Bi-Turbo (294 kW) | | BITURBO (397 kW) | |
| B3 (F30) | 03/13 # 08/18 | B6 Décapotable (F12) | 09/11 # 03/16 |
| BITURBO (301 kW) | | BITURBO (397 kW) | |
| BITURBO Traction intégrale (301 kW) | | B6 Gran Coupe (F06) | 04/14 # 03/16 |
| B3 Touring (F31) | 03/13 # 06/19 | BITURBO Traction intégrale (397 kW) | |
| BITURBO (301 kW) | | B7 (E65) | 12/03 # 12/08 |
| BITURBO Traction intégrale (301 kW) | | 4.4 (368 kW) | |

SILVER *dynamic* AGM - 595 901 085 J38 2

| | | | |
|-------------------------------------|---------------|-------------------------------------|---------------|
| ALPINA | | ALPINA | |
| B7 (F01, F02) | 03/09 # 01/16 | D5 (G30) | 07/17 # |
| BITURBO (373 kW) | | S Traction intégrale (240 kW) | |
| BITURBO Traction intégrale (373 kW) | | D5 Touring (G31) | 07/17 # |
| B10 (E39) | 12/96 # 05/04 | S Traction intégrale (285 kW) | |
| 3.3 (206 kW) | | D10 (E39) | 04/00 # 10/03 |
| V8 S 4.8 (276 kW) | | 3.0 D Biturbo (180 kW) | |
| 4.6 V8 (255 kW) | | D10 Touring (E39) | 04/00 # 10/03 |
| B10 Touring (E39) | 01/97 # 05/04 | 3.0 D Biturbo (180 kW) | |
| 3.3 (206 kW) | | ROADSTER V8 (E52) | 06/02 # 10/03 |
| 4.6 V8 (255 kW) | | 4.8 V8 (280 kW) | |
| V8 S 4.8 (276 kW) | | XD3 (F25) | 04/13 # 06/18 |
| B12 (E38) | 12/95 # 07/01 | BITURBO Traction intégrale (257 kW) | |
| 5.7 (285 kW) | | XD3 (G01) | 07/18 # |
| 6.0 (316 kW) | | BITURBO Traction intégrale (245 kW) | |
| D3 (E90) | 12/05 # 02/14 | XD4 (G02) | 07/18 # |
| 2.0 (147 kW) | | BITURBO Traction intégrale (285 kW) | |
| 2.0 Bi-Turbo (157 kW) | | XB7 (G07) | 05/20 # |
| D3 Break (E91) | 12/05 # 05/13 | BITURBO (457 kW) | |
| 2.0 (147 kW) | | ASTON MARTIN | |
| 2.0 Bi-Turbo (157 kW) | | DB9 Vantage | 01/04 # 10/16 |
| D3 Coupé (E92) | 07/08 # 05/13 | 4.2 V8 (283 kW) | |
| 2.0 Bi-Turbo (157 kW) | | 6.0 V12 (331/350/380/403 kW) | |
| D3 (F30) | 07/13 # 07/18 | DB9 Volante | 04/04 # 10/16 |
| BITURBO (257 kW) | | 6.0 (331 kW) | |
| D3 Break (F31) | 07/13 # 07/18 | 6.0 V12 (350/380 kW) | |
| BITURBO (257 kW) | | DB11 Vantage | 01/16 # |
| BITURBO Traction intégrale (257 kW) | | 4.0 V8 (375 kW) | |
| D3 (G20) | 05/20 # | 5.2 V12 (447 kW) | |
| S (261 kW) | | 5.2 AMR (470 kW) | |
| D3 Touring (G21) | 05/20 # | DB11 Volante | 10/17 # |
| S (261 kW) | | 4.0 V8 (375 kW) | |
| D4 Coupé (F32) | 09/14 # | DBS Vantage | 09/07 # |
| BITURBO (257 kW) | | 6.0 V12 (380 kW) | |
| D5 (F10) | 09/11 # 12/16 | DBS Coupé | 06/18 # |
| BITURBO (257 kW) | | 5.2 Superleggera (533 kW) | |
| D5 Touring (F11) | 09/11 # 12/16 | DBS Volante | 09/07 # |
| BITURBO (257 kW) | | 6.0 V12 (380 kW) | |

SILVER *dynamic* AGM - 595 901 085 J38 2

| | | | |
|-------------------------|----------------------|---|----------------------|
| ASTON MARTIN | | ASTON MARTIN | |
| DBX | 11/19 # | VANTAGE Roadster | 02/20 # |
| 4.0 (405 kW) | | 4.0 (375 kW) | |
| ONE-77 | 06/10 # 06/12 | AUDI | |
| 7.3 (559 kW) | | A4 B6 Avant (8E5) | 02/00 # 12/05 |
| RAPIDE | 03/10 # | S4 quattro (253 kW) | |
| 6.0 (350 kW) | | A4 B6 Décapotable (8H7) | 01/02 # 12/09 |
| 6.0 S (410/412 kW) | | S4 quattro (253 kW) | |
| 6.0 AMR (444 kW) | | A4 B7 (8EC) | 11/04 # 06/08 |
| VANTAGE Vantage | 10/05 # | S4 quattro (253 kW) | |
| 4.3 (283 kW) | | A4 B7 Avant (8ED) | 11/04 # 06/08 |
| 4.7 V8S (321 kW) | | 3.0 (160 kW) | |
| 6.0 V12 (380 kW) | | S4 quattro (253 kW) | |
| 4.7 V8 (313 kW) | | 3.2 FSI (188 kW) | |
| 6.0 V12S (421 kW) | | 3.2 FSI quattro (188 kW) | |
| 4.3 N400 (298 kW) | | 3.0 TDI quattro (150/171 kW) | |
| 4.7 GT8 (328 kW) | | 3.0 quattro (160 kW) | |
| VANTAGE Volante | 04/07 # | A4 B7 Décapotable (8HE) | 01/02 # 12/09 |
| 4.3 (283 kW) | | RS4 quattro (309 kW) | |
| 4.7 (320 kW) | | A4 B8 (8K2) | 08/07 # 09/16 |
| 4.7 S (321 kW) | | 1.8 TFSI (125 kW) | |
| 4.7 V8 (313 kW) | | 1.8 TFSI quattro (125 kW) | |
| 6.0 (380 kW) | | 3.0 TFSI quattro (200 kW) | |
| 6.0 V12S (421 kW) | | 2.0 TDI (130/105/100/125 kW) | |
| VANTAGE Coupé | 11/17 # | 2.0 TDI quattro (130/125 kW) | |
| 4.0 (375 kW) | | 3.0 TDI quattro (180/176/155 kW) | |
| VANQUISH Vantage | 05/01 # 08/07 | 3.0 TDI (150 kW) | |
| 6.0 V12 (338 kW) | | 2.0 TFSI (155/165/162 kW) | |
| 6.0 S (388 kW) | | 2.0 TFSI quattro | |
| VANQUISH Vantage | 10/12 # | (155/132/165/162 kW) | |
| 6.0 (421 kW) | | S4 quattro (245 kW) | |
| S 6.0 (444/433 kW) | | 3.2 FSI (195 kW) | |
| VANQUISH Volante | 09/13 # | 2.0 TFSI flexible fuel (132 kW) | |
| 6.0 (421 kW) | | 2.0 TFSI flexible fuel quattro (132 kW) | |
| S 6.0 (444/433 kW) | | | |
| VIRAGE Vantage | 02/11 # | A4 B8 Avant (8K5) | 11/07 # 12/15 |
| 6.0 (365 kW) | | 1.8 TFSI (88 kW) | |
| VIRAGE Volante | 02/11 # 12/14 | 2.0 TDI 16V (103 kW) | |
| 6.0 (365 kW) | | 1.8 TFSI quattro (125 kW) | |
| ZAGATO Vantage | 05/12 # | 3.0 TFSI quattro (200 kW) | |
| 6.0 V12 (380 kW) | | 2.0 TDI (130/105/125/88 kW) | |
| | | 3.0 TDI quattro (176/155 kW) | |

SILVER *dynamic* AGM - 595 901 085 J38 2

| | | |
|--|----------------------|--|
| AUDI | | |
| A4 B8 Avant (8K5) | 11/07 # 12/15 | |
| S4 quattro (245 kW) | | |
| 2.0 TDI quattro (125/105/110/140 kW) | | |
| RS4 quattro (331 kW) | | |
| 2.0 TFSI (165 kW) | | |
| 2.0 TFSI quattro (165 kW) | | |
| A4 Allroad B8 (8KH) | 04/09 # 05/16 | |
| 2.0 TFSI quattro (155 kW) | | |
| 2.0 TDI quattro (130/125/105/100/120/110/140 kW) | | |
| 3.0 TDI quattro (180/176 kW) | | |
| A4 B9 (8W2, 8WC) | 05/15 # | |
| 2.0 TFSI (140 kW) | | |
| 30 TDI (85/90 kW) | | |
| 2.0 TDI (90/140 kW) | | |
| 2.0 TFSI quattro (185/183 kW) | | |
| 2.0 TDI quattro (140 kW) | | |
| 3.0 TDI (160 kW) | | |
| 3.0 TDI quattro (160/200 kW) | | |
| S4 quattro (260 kW) | | |
| 40 TDI (140 kW) | | |
| 40 TDI quattro (140 kW) | | |
| 35 TDI (110 kW) | | |
| 45 TDI quattro (170 kW) | | |
| 50 TDI quattro (210 kW) | | |
| A4 B9 Avant (8W5, 8WD) | 08/15 # | |
| 2.0 TFSI (140 kW) | | |
| S4 quattro (260 kW) | | |
| 2.0 TFSI quattro (185/183 kW) | | |
| 2.0 TDI (140 kW) | | |
| 2.0 TDI quattro (140 kW) | | |
| 3.0 TDI (160 kW) | | |
| 3.0 TDI quattro (160/200 kW) | | |
| 50 TDI quattro (210 kW) | | |
| 35 TDI (110 kW) | | |
| 40 TDI (140 kW) | | |
| 40 TDI quattro (140 kW) | | |
| 45 TDI quattro (170 kW) | | |
| 30 TDI (90 kW) | | |
| AUDI | | |
| A4 Allroad B9 (8WH, 8WJ) | 01/16 # | |
| 2.0 TFSI quattro (183 kW) | | |
| 3.0 TDI quattro (160/200 kW) | | |
| 2.0 TDI quattro (120/100/110 kW) | | |
| 2.0 TDI quattro (140 kW) | | |
| 3.0 TDI quattro (210 kW) | | |
| 45 TDI quattro (170 kW) | | |
| 50 TDI quattro (210 kW) | | |
| 40 TDI quattro (140 kW) | | |
| A5 (8T3) | 06/07 # 01/17 | |
| 1.8 TFSI (118 kW) | | |
| RS5 quattro (331 kW) | | |
| 2.0 TDI (130/125/120/140 kW) | | |
| 3.0 TDI (150 kW) | | |
| 3.0 TDI quattro (180/176/155/160 kW) | | |
| S5 quattro (245/260 kW) | | |
| 3.2 FSI (195 kW) | | |
| 2.7 TDI (140/120 kW) | | |
| 2.0 TDI quattro (130/140 kW) | | |
| 3.0 TFSI quattro (200 kW) | | |
| 3.2 FSI quattro (195 kW) | | |
| 2.0 TFSI (132/155/165/169 kW) | | |
| 2.0 TFSI quattro (155/165/162/169 kW) | | |
| A5 Sportback (8TA) | 07/07 # 01/17 | |
| 1.8 TFSI (118 kW) | | |
| 2.0 TDI (130/125/100/105/110/140 kW) | | |
| 3.0 TDI (150 kW) | | |
| 3.0 TDI quattro (180/176/160 kW) | | |
| 3.0 TFSI quattro (200 kW) | | |
| 2.0 TDI quattro (130/140 kW) | | |
| 2.0 TFSI (132/155/165/169 kW) | | |
| 2.0 TFSI quattro (155/165/169 kW) | | |
| 3.2 FSI quattro (195 kW) | | |
| 2.7 TDI (140/120 kW) | | |
| S5 quattro (245 kW) | | |
| A5 Décapotable (8F7) | 02/09 # 01/17 | |
| 1.8 TFSI (125 kW) | | |
| 2.0 TDI (130/105/110/140 kW) | | |

SILVER *dynamic* AGM - 595 901 085 J38 2

| | | |
|---------------------------------------|----------------------|--|
| AUDI | | |
| A5 Décapotable (8F7) | 02/09 # 01/17 | |
| 3.0 TDI (150 kW) | | |
| 3.0 TDI quattro (180/176/160 kW) | | |
| 2.0 TDI quattro (130/140 kW) | | |
| 3.0 TFSI quattro (200 kW) | | |
| 2.0 TFSI (155/165/162/169 kW) | | |
| 2.0 TFSI quattro (155/165/162/169 kW) | | |
| 3.2 FSI (195 kW) | | |
| 3.2 FSI quattro (195 kW) | | |
| S5 quattro (245 kW) | | |
| 2.7 TDI (120 kW) | | |
| RS5 quattro (331 kW) | | |
| A5 (F53, F5P) | 06/16 # | |
| 1.4 TFSI (110 kW) | | |
| 2.0 TFSI (140/185 kW) | | |
| 2.0 TDI (140/110 kW) | | |
| 40 TDI (140 kW) | | |
| 2.0 TDI quattro (140 kW) | | |
| 45 TDI quattro (170 kW) | | |
| 2.0 TFSI quattro (185/183 kW) | | |
| S5 quattro (260 kW) | | |
| 3.0 TDI quattro (160/200/210 kW) | | |
| 3.0 TDI (160 kW) | | |
| 40 TDI quattro (140 kW) | | |
| 50 TDI quattro (210 kW) | | |
| 35 TDI (110 kW) | | |
| A5 Sportback (F5A, F5F) | 06/16 # | |
| 1.4 TFSI (110 kW) | | |
| 2.0 TFSI (185/140 kW) | | |
| 2.0 TFSI quattro (185/183 kW) | | |
| S5 quattro (260 kW) | | |
| 2.0 TDI (140/110 kW) | | |
| 2.0 TDI quattro (140/110 kW) | | |
| 3.0 TDI quattro (160/200/210 kW) | | |
| 3.0 TDI (160 kW) | | |
| 45 TDI quattro (170 kW) | | |
| 35 TDI (110 kW) | | |
| 40 TDI (140 kW) | | |
| 40 TDI quattro (140 kW) | | |
| 50 TDI quattro (210 kW) | | |
| AUDI | | |
| A5 Décapotable (F57, F5E) | 11/16 # | |
| 2.0 TFSI (140 kW) | | |
| S5 quattro (260 kW) | | |
| 2.0 TDI (140 kW) | | |
| 2.0 TFSI quattro (185 kW) | | |
| 3.0 TDI quattro (160/210 kW) | | |
| 3.0 TDI (160 kW) | | |
| 2.0 TDI quattro (140 kW) | | |
| 40 TDI (140 kW) | | |
| 40 TDI quattro (140 kW) | | |
| 50 TDI quattro (210 kW) | | |
| A6 C4 (4A2) | 06/94 # 10/97 | |
| S6 Turbo quattro (169 kW) | | |
| S6 4.2 quattro (213 kW) | | |
| S6 Plus quattro (240 kW) | | |
| A6 C4 Avant (4A5) | 06/94 # 12/97 | |
| S6 Turbo quattro (169 kW) | | |
| S6 4.2 quattro (213 kW) | | |
| S6 Plus quattro (240 kW) | | |
| A6 C5 (4B2) | 01/97 # 12/05 | |
| 2.8 (132 kW) | | |
| 4.2 quattro (220 kW) | | |
| S6 quattro (250 kW) | | |
| 2.5 TDI quattro (110/132 kW) | | |
| 2.8 quattro (142/140 kW) | | |
| 3.0 quattro (160 kW) | | |
| A6 C5 Avant (4B5) | 11/97 # 01/05 | |
| 2.8 (132 kW) | | |
| 2.5 TDI quattro (110/132 kW) | | |
| 2.8 quattro (142 kW) | | |
| 4.2 quattro (220 kW) | | |
| ALLROAD C5 (4BH) | 05/00 # 08/05 | |
| 4.2 V8 quattro (220 kW) | | |
| A6 C6 (4F2) | 04/04 # 08/11 | |
| 2.8 FSI quattro (154 kW) | | |
| 3.0 TFSI quattro (220/213 kW) | | |
| 3.2 FSI (195 kW) | | |
| 3.2 FSI quattro (188 kW) | | |
| 2.0 TDI (103 kW) | | |
| 3.0 TDI quattro (165/155/171/176 kW) | | |

SILVER *dynamic* AGM - 595 901 085 J38 2

| | |
|--|----------------------|
| AUDI | |
| A6 C6 (4F2) | 04/04 # 08/11 |
| 2.7 TDI (132/120/140 kW) | |
| 2.7 TDI quattro (132/120/140 kW) | |
| S6 quattro (320 kW) | |
| 3.0 (160 kW) | |
| A6 C6 Avant (4F5) | 11/04 # 08/11 |
| 3.0 TFSI quattro (213 kW) | |
| 3.0 TDi (171 kW) | |
| 2.7 TDI (120/132/140 kW) | |
| 3.0 TDI quattro (165/155/171/176 kW) | |
| 4.2 quattro (246 kW) | |
| 2.7 TDI quattro (132/120/140 kW) | |
| S6 quattro (320 kW) | |
| 4.2 FSI quattro (257 kW) | |
| A6 Allroad C6 (4FH) | 03/06 # 08/11 |
| 3.0 TFSI quattro (213 kW) | |
| 3.2 FSI quattro (188 kW) | |
| 4.2 FSI quattro (257 kW) | |
| 3.0 TDI quattro (171/155/176 kW) | |
| 2.7 TDI quattro (132/120/140 kW) | |
| A6 C7 (4G2, 4GC) | 11/10 # 09/18 |
| 1.8 TFSI (140 kW) | |
| 3.0 TDI quattro (176/150/180/230/155/160/200/235/240 kW) | |
| S6 quattro (331/309 kW) | |
| 2.8 FSI (150 kW) | |
| 2.8 FSI quattro (150/162 kW) | |
| 3.0 TFSI quattro (220/228/245 kW) | |
| 2.0 TDI (130/120/100/140 kW) | |
| 3.0 TDI (150/155/160 kW) | |
| 2.0 TFSI (132/155/162/185 kW) | |
| 2.0 TFSI quattro (155/162/185/183 kW) | |
| 2.0 TDI quattro (140 kW) | |
| 2.0 TFSI Hybrid (180 kW) | |
| A6 C7 Avant (4G5, 4GD) | 05/11 # 09/18 |
| 1.8 TFSI (140 kW) | |
| 2.8 FSI (150 kW) | |
| 2.8 FSI quattro (150/162 kW) | |

| | |
|--|----------------------|
| AUDI | |
| A6 C7 Avant (4G5, 4GD) | 05/11 # 09/18 |
| 3.0 TFSI quattro (220/228/245 kW) | |
| 2.0 TDI (130/120/100/140 kW) | |
| 3.0 TDI (150/155/160 kW) | |
| 3.0 TDI quattro (150/180/230/155/160/200/235/240 kW) | |
| S6 quattro (309/331 kW) | |
| 2.0 TFSI (132/185 kW) | |
| RS6 quattro (412 kW) | |
| 2.0 TDI quattro (140 kW) | |
| 2.0 TFSI quattro (183/185 kW) | |
| RS6 performance quattro (445 kW) | |
| A6 Allroad C7 (4GH, 4GJ) | 01/12 # 09/18 |
| 3.0 TFSI quattro (228 kW) | |
| 3.0 TDI quattro (150/180/230/155/160/200/235/140 kW) | |
| A7 Sportback (4GA, 4GF) | 07/10 # 05/18 |
| 1.8 TFSI (140 kW) | |
| 2.8 FSI (150 kW) | |
| 3.0 TFSI quattro (228/220/245 kW) | |
| 2.8 FSI quattro (150/162 kW) | |
| 2.0 TFSI (185 kW) | |
| 2.0 TFSI quattro (183/185 kW) | |
| 3.0 TDI (150/160/140 kW) | |
| 3.0 TDI quattro (150/230/180/176/160/200/235/155/240/140 kW) | |
| S7 quattro (309/331 kW) | |
| RS7 quattro (412 kW) | |
| RS7 performance quattro (445 kW) | |
| V8 (441, 442, 4C2, 4C8) | 10/88 # 02/94 |
| 3.6 quattro (180 kW) | |
| 4.2 quattro (206 kW) | |
| A8 D2 (4D2, 4D8) | 03/94 # 12/05 |
| 2.8 (120 kW) | |
| 3.7 (191/169 kW) | |
| 2.8 quattro (142/120 kW) | |

SILVER *dynamic* AGM - 595 901 085 J38 2

| | | | |
|--------------------------------------|----------------------|--------------------------------------|----------------------|
| AUDI | | AUDI | |
| A8 D2 (4D2, 4D8) | 03/94 # 12/05 | Q5 (8RB) | 11/08 # 12/17 |
| 3.7 quattro (169/191 kW) | | (176/155/180/190/184 kW) | |
| 4.2 quattro (180/224/228/220/175 kW) | | 3.2 FSI quattro (199 kW) | |
| S8 quattro (250/265 kW) | | SQ5 TDI quattro (230/240/250 kW) | |
| 2.5 TDI (110/132 kW) | | SQ5 TFSI quattro (260 kW) | |
| 2.5 TDI quattro (110/132 kW) | | Q5 (FYB, FYG) | 05/16 # |
| 6.0 W12 quattro (309 kW) | | 2.0 TFSI quattro (180 kW) | |
| 3.3 TDI quattro (165 kW) | | 2.0 TDI quattro (120/140 kW) | |
| A8 D3 (4E2, 4E8) | 10/02 # 12/10 | 3.0 TDI quattro (210 kW) | |
| 2.8 FSI (154 kW) | | 45 TDI quattro (170 kW) | |
| 3.7 quattro (206 kW) | | 2.0 TDI (110/100 kW) | |
| 4.0 TDI quattro (202 kW) | | SQ5 TFSI quattro (260 kW) | |
| 6.0 W12 quattro (331 kW) | | 35 TDI quattro (120 kW) | |
| 3.0 TDI quattro (171/155 kW) | | 40 TDI quattro (140 kW) | |
| 3.2 FSI (191 kW) | | 50 TDI quattro (210 kW) | |
| 3.2 FSI quattro (191 kW) | | 30 TDI Mild Hybrid (100 kW) | |
| 4.2 TDI quattro (235/240 kW) | | 35 TDI Mild Hybrid (120 kW) | |
| 3.0 (160 kW) | | 40 TDI Mild Hybrid quattro (150 kW) | |
| A8 D4 (4H2, 4H8, 4HC, 4HL) | 11/09 # 01/18 | Q7 (4LB) | 03/06 # 01/16 |
| 2.0 TFSI hybrid (180 kW) | | 3.0 TFSI quattro (200 kW) | |
| 6.3 W12 quattro (368 kW) | | 3.0 TDI quattro | |
| 3.0 TFSI quattro (245/228/213 kW) | | (165/180/171/155/176/150 kW) | |
| 3.0 TDI (150 kW) | | 4.2 FSI quattro (257 kW) | |
| 3.0 TDI quattro | | 3.6 FSI quattro (206 kW) | |
| (155/184/190/176/193 kW) | | 4.2 TDI quattro (240/250 kW) | |
| S8 quattro (382 kW) | | 6.0 TDI quattro (368 kW) | |
| 4.0 TFSI quattro (309/320 kW) | | 4.2 quattro (231 kW) | |
| 4.2 FSI quattro (273 kW) | | Q7 (4MB, 4MG) | 01/15 # |
| 4.2 TDI quattro (258/283 kW) | | 2.0 TFSI quattro (185 kW) | |
| 2.5 TFSI (150 kW) | | 3.0 TDI quattro (200/183/160 kW) | |
| 2.0 TFSI quattro (185 kW) | | 3.0 TFSI quattro (245 kW) | |
| Q3 (8UB, 8UG) | 06/11 # 03/20 | Q8 (4MN) | 02/18 # |
| RS 2.5 quattro (228 kW) | | 55 TFSI Mild Hybrid quattro (250 kW) | |
| Q5 (8RB) | 11/08 # 12/17 | 50 TDI Mild Hybrid quattro (210 kW) | |
| 3.0 TFSI quattro (200 kW) | | 45 TDI Mild Hybrid quattro (170 kW) | |
| 2.0 TDI (105 kW) | | 45 TDI quattro (183 kW) | |
| 2.0 TDI quattro | | SQ8 quattro (373 kW) | |
| (125/105/100/120/130/110/140 kW) | | | |
| 3.0 TDI quattro | | | |

SILVER *dynamic* AGM - 595 901 085 J38 2

| | |
|---|---------------|
| AUDI | |
| R8 (422, 423) | 04/07 # 07/15 |
| 5.2 FSI quattro (404 kW) | |
| R8 Spyder (427, 429) | 02/10 # 07/15 |
| 5.2 FSI quattro (412 kW) | |
| R8 (4S3, 4SP) | 07/15 # |
| 5.2 FSI (397 kW) | |
| 5.2 FSI quattro (397 kW) | |
| R8 Spyder (4S9, 4SR) | 05/16 # |
| 5.2 FSI (397 kW) | |
| 5.2 FSI quattro (397 kW) | |
| TT Roadster (FV9, FVR) | 11/14 # |
| 2.0 TFSI quattro (162 kW) | |
| 2.0 TFSI (169 kW) | |
| 2.0 TTS quattro (228/210 kW) | |
| 2.0 TDI (135 kW) | |
| BENTLEY | |
| CONTINENTAL FLYING SPUR (3W_) | 03/05 # 12/13 |
| 6.0 (412 kW) | |
| 6.0 FLEX (449/412 kW) | |
| 6.0 Speed (449 kW) | |
| CONTINENTAL Coupé (3W_, 393) | 06/03 # |
| 4.0 FLEX (373 kW) | |
| 6.0 FLEX (467/423/472/423/463/460/467/434 kW) | |
| 6.0 GT Speed (449/467/472 kW) | |
| 4.0 GT (373 kW) | |
| 6.0 (423 kW) | |
| 6.0 AWD (434 kW) | |
| 6.0 Supersports AWD (522 kW) | |
| 6.0 GT (412 kW) | |
| 4.0 (373 kW) | |
| CONTINENTAL Décapotable (3W_, 394) | 06/06 # |
| 4.0 FLEX AWD (373 kW) | |
| 6.0 FLEX AWD (429/423/467/434/472 kW) | |
| 6.0 AWD (423/423/412/434/472/522 kW) | |
| BENTLEY | |
| CONTINENTAL Décapotable (3W_, 394) | 06/06 # |
| 6.0 CS ISR (471 kW) | |
| 6.0 GTC Speed Traction intégrale (448 kW) | |
| 6.0 GTC Speed AWD (460/467 kW) | |
| 4.0 AWD (389 kW) | |
| CONTINENTAL Coupé (3S3) | 09/17 # |
| 6.0 W12 AWD (467 kW) | |
| FLYING SPUR (4W_) | 03/13 # |
| 4.0 FLEX (373 kW) | |
| 6.0 FLEX (453 kW) | |
| 6.0 W12 (460 kW) | |
| 4.0 V8 (373 kW) | |
| W12 S 6.0 (467 kW) | |
| V8 S 4.0 (388 kW) | |
| 6.0 FLEX (460 kW) | |
| MULSANNE (3Y_) | 09/09 # |
| 6.8 (377 kW) | |
| 6.8 Speed (395 kW) | |
| BMW | |
| 1 (E81) | 09/06 # 09/12 |
| 120 i (120 kW) | |
| 120 d (120 kW) | |
| 118 d (105/100 kW) | |
| 123 d (150 kW) | |
| 116 d (85/66 kW) | |
| 1 (E87) | 02/03 # 01/13 |
| 120 i (115 kW) | |
| 116 d (85/66 kW) | |
| 118 d (100/105 kW) | |
| 120 d (130/110 kW) | |
| 123 d (150 kW) | |
| 1 Coupé (E82) | 10/06 # 10/13 |
| 120 i (115 kW) | |
| M (250 kW) | |
| 118 d (100/105 kW) | |
| 135 i (225/240 kW) | |
| 120 d (130/120/145 kW) | |
| 123 d (150 kW) | |

SILVER *dynamic* AGM - 595 901 085 J38 2

| | | | |
|-------------------------------|----------------------|-----------------------------|----------------|
| BMW | | BMW | |
| 1 Décapotable (E88) | 12/07 # 12/13 | 1 (F21) | 12/11 # |
| 118 i (100 kW) | | 120 i (130/135 kW) | |
| 120 i (125/120 kW) | | M 135 i (240/235 kW) | |
| 125 i (160 kW) | | M 135 i xDrive (240/235 kW) | |
| 135 i (225/240 kW) | | 116 d (85/85/85 kW) | |
| 120 d (130/120/145 kW) | | 118 d (110/100/105 kW) | |
| 118 d (105/100 kW) | | 125 d (155/160/165 kW) | |
| 123 d (150 kW) | | M 140 i (250 kW) | |
| 1 (F20) | 07/11 # 06/19 | M 140 i xDrive (250 kW) | |
| 114 i (75 kW) | | 2 Coupé (F22, F87) | 10/12 # |
| 120 d (120/135/147/140 kW) | | 218 i (100 kW) | |
| 116 d (85/85/85 kW) | | 220 i (135/135 kW) | |
| 118 d (100/105/110 kW) | | 220 d (135/147/140/120 kW) | |
| 125 d (165/160/155 kW) | | M 235 i (240 kW) | |
| 125 i (160/175/165 kW) | | 218 d (105/110/100 kW) | |
| 116 i (100/80 kW) | | 225 d (160/165 kW) | |
| 118 i (125/100/100 kW) | | M 235 i xDrive (240 kW) | |
| M 135 i (235/240 kW) | | 228 i (180 kW) | |
| 114 d (70/70 kW) | | 220 d xDrive (140/120 kW) | |
| 120 d xDrive (135/147/140 kW) | | M2 (272 kW) | |
| 118 d xDrive (105/110 kW) | | 230 i (185 kW) | |
| 120 i (130/135 kW) | | M 240 i (250 kW) | |
| M 135 i xDrive (240/235 kW) | | M 240 i xDrive (250 kW) | |
| 125 i Active Flex (160 kW) | | 2 Décapotable (F23) | 03/14 # |
| M 140 i (250 kW) | | 218 i (100 kW) | |
| M 140 i xDrive (250 kW) | | 220 i (135/135 kW) | |
| 1 Van (F20) | 03/15 # 06/19 | 228 i (180 kW) | |
| 118 i (100 kW) | | M 235 i (240 kW) | |
| 120 i (135 kW) | | 220 d (140/120 kW) | |
| M 140 i (250 kW) | | 218 d (100 kW) | |
| 118 d (110 kW) | | M 240 i (250 kW) | |
| 120 d (140 kW) | | M 240 i xDrive (250 kW) | |
| 1 (F21) | 12/11 # | 230 i (185 kW) | |
| 114 i (75 kW) | | 225 d (165 kW) | |
| 125 i Active Flex (160 kW) | | M 235 i xDrive (240 kW) | |
| 125 i (175/160/165 kW) | | 2 Gran Tourer (F46) | 07/14 # |
| 120 d (147/120/135/140 kW) | | 220 i (120 kW) | |
| 114 d (70/70 kW) | | 214 d (70 kW) | |
| 118 d xDrive (105/110 kW) | | 220 d (140/120 kW) | |
| 116 i (100/80 kW) | | 216 d (85 kW) | |
| 118 i (125/100/100 kW) | | 218 d (110/100 kW) | |
| 120 d xDrive (147/135/140 kW) | | 220 d xDrive (140/120 kW) | |

SILVER *dynamic* AGM - 595 901 085 J38 2

| | | | |
|-------------------------------|----------------------|--------------------------------|----------------------|
| BMW | | BMW | |
| 3 (E30) | 09/82 # 03/92 | 3 Touring (E91) | 12/04 # 12/12 |
| M3 2.3 (143 kW) | | 325 i (155/160/155 kW) | |
| 324 td (85 kW) | | 318 d (100 kW) | |
| 324 d (63 kW) | | 316 d (85 kW) | |
| M3 EVO II 2.5 (175 kW) | | 320 d (120/130/135/147/145 kW) | |
| M3 EVO I 2.3 (162 kW) | | 330 xd (170 kW) | |
| 3 Touring (E30) | 07/87 # 10/94 | 335 d (210 kW) | |
| 324 td (85 kW) | | 325 d (145/150 kW) | |
| 3 Décapotable (E30) | 09/82 # 11/93 | 320 i (125/115/120 kW) | |
| M3 2.3 (143 kW) | | 330 d (180/155 kW) | |
| 3 (E36) | 09/90 # 11/98 | 330 d xDrive (180 kW) | |
| 318 tds (66 kW) | | 325 i xDrive (160/155 kW) | |
| 325 tds (105 kW) | | 330 i xDrive (200 kW) | |
| 325 td (85 kW) | | 335 i xDrive (225/240 kW) | |
| 3 Touring (E36) | 08/94 # 12/99 | 320 d xDrive | |
| 318 tds (66 kW) | | (130/135/120/147/145 kW) | |
| 325 tds (105 kW) | | 3 Coupé (E92) | 01/05 # 12/13 |
| 3 Coupé (E46) | 12/98 # 07/06 | 316 i (90 kW) | |
| 330 Cd (150 kW) | | 320 xd (130/145/120 kW) | |
| 3 Décapotable (E46) | 04/00 # 12/07 | 335 d (210 kW) | |
| 330 Cd (150 kW) | | 320 d (147/130/135/120/145 kW) | |
| 3 (E90) | 02/04 # 02/12 | 320 d xDrive | |
| 316 i (85 kW) | | (147/130/135/145/120 kW) | |
| 320 xd (130 kW) | | 318 i (105 kW) | |
| 318 d (100/90/105 kW) | | 320 i (125 kW) | |
| 330 d (170/180/155 kW) | | M3 (309 kW) | |
| 320 d xDrive (120/130/135 kW) | | 330 d (180 kW) | |
| 320 d (120/130/135 kW) | | 330 xd (180 kW) | |
| 330 xd (170 kW) | | 325 i xDrive (160 kW) | |
| 335 d (210 kW) | | 330 i xDrive (200 kW) | |
| 318 i (105/100 kW) | | 335 i xDrive (225 kW) | |
| M3 (309 kW) | | 330 d xDrive (180 kW) | |
| 330 d xDrive (180 kW) | | 325 d (150 kW) | |
| 316 d (85 kW) | | M3 GTS (331 kW) | |
| 325 d (150 kW) | | 330 i (200 kW) | |
| 320 i (115/120 kW) | | 330 xi (200 kW) | |
| 325 i (155 kW) | | 3 Décapotable (E93) | 05/06 # 12/13 |
| M3 CRT (331 kW) | | 318 i (105 kW) | |
| 3 Touring (E91) | 12/04 # 12/12 | 320 i (110/125/115/120 kW) | |
| 318 i (100 kW) | | 325 d (150/145 kW) | |
| 320 d ed (120 kW) | | 325 i (160/160/155 kW) | |
| | | 330 i (200 kW) | |

SILVER *dynamic* AGM - 595 901 085 J38 2

| | | | |
|-----------------------------------|----------------------|-----------------------------------|----------------------|
| BMW | | BMW | |
| 3 Décapotable (E93) | 05/06 # 12/13 | 3 Touring (F31) | 07/12 # 06/19 |
| 320 d (130/135/120/147/145 kW) | | 328 i xDrive (180 kW) | |
| M3 (309 kW) | | 330 d xDrive (190/210 kW) | |
| 330 d (180 kW) | | 320 d xDrive (135/147/140/120 kW) | |
| 3 (F30, F80) | 11/11 # 10/18 | 318 d xDrive (105/110 kW) | |
| ActiveHybrid (225 kW) | | 335 d xDrive (230 kW) | |
| 320 i (135/135/125/135 kW) | | 318 i (100 kW) | |
| 330 e (185/135 kW) | | 330 i (185 kW) | |
| 328 i (180 kW) | | 330 i xDrive (185 kW) | |
| 335 i (225 kW) | | 340 i (240/265 kW) | |
| 320 d (135/120/147/140 kW) | | 340 i xDrive (240/265 kW) | |
| 316 d (85 kW) | | 3 Touring Van (F31) | 07/12 # 06/19 |
| 318 d (105/100/110 kW) | | 330 i (185 kW) | |
| 335 d xDrive (230 kW) | | 330 d (190 kW) | |
| 320 d xDrive (120/135/147/140 kW) | | 330 d xDrive (190 kW) | |
| 320 i xDrive (135/135 kW) | | 340 i (240 kW) | |
| 328 i xDrive (180 kW) | | 3 Gran Turismo (F34) | 07/12 # |
| 335 i xDrive (225 kW) | | 320 i (120 kW) | |
| 316 i (100 kW) | | 320 i xDrive (135/135/120 kW) | |
| 330 d (190/210 kW) | | 325 d (155/160/165 kW) | |
| 330 d xDrive (190/210 kW) | | 320 d (120 kW) | |
| 325 d (160/155/165 kW) | | 328 i (180 kW) | |
| 318 d xDrive (105/110 kW) | | 335 i (225/240/250 kW) | |
| 318 i (100 kW) | | 318 d (105/110/100 kW) | |
| 330 i (185 kW) | | 328 i xDrive (180 kW) | |
| 330 i xDrive (185 kW) | | 335 i xDrive (225/240/250 kW) | |
| 340 i (240/265 kW) | | 320 d xDrive (135/147/140/120 kW) | |
| 340 i xDrive (240/265 kW) | | 330 d xDrive (190/210 kW) | |
| 328i (160 kW) | | 330 d (190/210 kW) | |
| 3 Touring (F31) | 07/12 # 06/19 | 335 d xDrive (230 kW) | |
| 316 i (100 kW) | | 330 i (185 kW) | |
| 320 i (120/135/135 kW) | | 330 i xDrive (185 kW) | |
| 320 i xDrive (120/135/135 kW) | | 340 i (240/265 kW) | |
| 328 i (180 kW) | | 340 i xDrive (240/265 kW) | |
| 316 d (85 kW) | | 330 i xDrive (183 kW) | |
| 318 d (105/110/100 kW) | | 3 (G20, G80, G28) | 11/18 # |
| 320 d (135/120/147/140 kW) | | 330 e Plug-in-Hybrid (135 kW) | |
| 330 d (190/210 kW) | | 320 i (135 kW) | |
| 325 d (160/155/165 kW) | | 320 i 1.6 (125 kW) | |
| 335 i xDrive (225/240/250 kW) | | 330 i (190 kW) | |
| 335 i (225/240/250 kW) | | | |

SILVER *dynamic* AGM - 595 901 085 J38 2

| | | | |
|----------------------------------|----------------|---------------------------------|----------------|
| BMW | | BMW | |
| 3 (G20, G80, G28) | 11/18 # | 4 Coupé (F32, F82) | 07/13 # |
| M 340 i xDrive (275 kW) | | kW) | |
| 320 i xDrive (135 kW) | | 435 d xDrive (230 kW) | |
| 330 i xDrive (190 kW) | | 420 d xDrive (135/140/120/147 | |
| 320 d xDrive (140/120 kW) | | kW) | |
| 320 d (120/140 kW) | | 430 d (190/210 kW) | |
| 318 d (110/100 kW) | | 428 i (180 kW) | |
| 330 d (195 kW) | | 428 i xDrive (180 kW) | |
| 330 d xDrive (195 kW) | | 435 i (225/250 kW) | |
| 330 e Plug-in-Hybrid xDrive (135 | | 435 i xDrive (225/250 kW) | |
| kW) | | 420 d (135/140/147/120 kW) | |
| 318 i (115 kW) | | 430 d xDrive (190/210 kW) | |
| 316 d (90 kW) | | 425 d (160/155/165 kW) | |
| M340 d Mild-Hybrid xDrive (250 | | 430 i xDrive (185 kW) | |
| kW) | | M4 GTS (368 kW) | |
| M 340 i xDrive (285 kW) | | 440 i (240/265 kW) | |
| 3 Touring (G21, G81) | 07/19 # | 440 i xDrive (240/265 kW) | |
| 330 e Plug-in-Hybrid (135 kW) | | 430 i (185 kW) | |
| 330 i (190 kW) | | M4 (317 kW) | |
| 330 i xDrive (190 kW) | | M4 Competition (331 kW) | |
| 320 d (120/140 kW) | | 418 d (100 kW) | |
| 330 d xDrive (195 kW) | | 430 i (183 kW) | |
| 320 d xDrive (120/140 kW) | | 430 i xDrive (183 kW) | |
| 318 i (115 kW) | | 4 Décapotable (F33, F83) | 10/13 # |
| 330 d (195 kW) | | 420 i (120 kW) | |
| 320 d Mild-Hybrid xDrive | | 435 i (225/250 kW) | |
| (120/140 kW) | | 420 d (135/147/140/120 kW) | |
| M 340 d Mild-Hybrid xDrive (250 | | 428 i xDrive (180 kW) | |
| kW) | | M4 (317 kW) | |
| 3 Touring Van (G21) | 07/19 # | 435 i xDrive (225/250 kW) | |
| 320 i (135 kW) | | 425 d (160/155/165 kW) | |
| 330 d (195 kW) | | 430 d (190/210 kW) | |
| 330 i (190 kW) | | 435 d xDrive (230 kW) | |
| 320 d (140 kW) | | 430 i (185 kW) | |
| 320 d Mild-Hybrid xDrive (140 | | 430 i xDrive (185 kW) | |
| kW) | | 440 i (265/240 kW) | |
| 320 d xDrive (140 kW) | | 428 i (180 kW) | |
| 330 d xDrive (195 kW) | | 440 i xDrive (240/265 kW) | |
| 4 Coupé (F32, F82) | 07/13 # | M4 Competition (331 kW) | |
| 418 i (100 kW) | | 4 Gran Coupe (F36) | 03/14 # |
| 420 i (135/120/135/120 kW) | | 418 i (100 kW) | |
| 420 i xDrive (135/120/135/120 | | 420 d xDrive (140/135/120/147 | |

SILVER *dynamic* AGM - 595 901 085 J38 2

| | | | |
|---------------------------------------|----------------------|--------------------------------|----------------------|
| BMW | | BMW | |
| 4 Gran Coupe (F36) | 03/14 # | 5 Touring (E34) | 07/91 # 07/96 |
| kW) | | 525 td (85 kW) | |
| 430 d (190/210 kW) | | 525 tds (105 kW) | |
| 418 d (105/100 kW) | | 5 (E39) | 09/95 # 07/03 |
| 435 i (225/250 kW) | | 530 i (170 kW) | |
| 420 d (135/140/120/147 kW) | | 520 d (100 kW) | |
| 420 i (135/120/135/120 kW) | | 535 i (180 kW) | |
| 428 i (180 kW) | | 525 tds (105 kW) | |
| 428 i xDrive (180 kW) | | 540 i (210 kW) | |
| 420 i xDrive (135/120/135/120 kW) | | 525 td (85 kW) | |
| 435 i xDrive (225/250 kW) | | 530 d (135/142 kW) | |
| 430 d xDrive (190/210 kW) | | 525 d (120 kW) | |
| 435 d xDrive (230 kW) | | 5 Touring (E39) | 09/96 # 06/04 |
| 430 i (185 kW) | | 530 i (170 kW) | |
| 430 i xDrive (185 kW) | | 520 d (100 kW) | |
| 440 i (240/265 kW) | | 540 i (210 kW) | |
| 440 i xDrive (240/265 kW) | | 530 d (135/142 kW) | |
| 425 d (165/155 kW) | | 525 tds (105 kW) | |
| 430 i xDrive (183 kW) | | 525 d (120 kW) | |
| 4 Coupé (G22, G82) | 07/20 # | 5 (E60) | 12/01 # 03/10 |
| 420 i (135 kW) | | 520 i (115 kW) | |
| M 440 i Mild-Hybrid xDrive (285 kW) | | 530 i (170/190/200/187/200 kW) | |
| 430 i (190 kW) | | 530 d (160/170/173/155 kW) | |
| M440 d Mild-Hybrid xDrive (250 kW) | | 525 i (141/160/160/155/155 kW) | |
| 420 d Mild-Hybrid xDrive (140/120 kW) | | 535 d (200/210 kW) | |
| 420 d Mild-Hybrid (140/120 kW) | | 523 i (130/140/140 kW) | |
| 430 d Mild-Hybrid xDrive (210 kW) | | 550 i (270 kW) | |
| 5 (E28) | 05/81 # 12/87 | 520 d (120/110/130 kW) | |
| 535 i (210 kW) | | 525 xi (160/160 kW) | |
| 524 d (63 kW) | | 530 xi (190/200/200 kW) | |
| 524 td (85 kW) | | 530 xd (170/173 kW) | |
| 5 (E34) | 02/87 # 12/95 | 535 i (225 kW) | |
| M5 (210 kW) | | 525 xd (145 kW) | |
| 525 tds (105 kW) | | 525 i xDrive (160 kW) | |
| 524 td (85 kW) | | 530 i xDrive (200 kW) | |
| 525 td (85 kW) | | 525 d xDrive (145 kW) | |
| | | 530 d xDrive (173 kW) | |
| | | 540 i (220 kW) | |
| | | 528 i (172 kW) | |
| | | 5 Touring (E61) | 03/04 # 12/10 |
| | | 523 i (130 kW) | |
| | | 525 i (141/160/160/155/155 kW) | |

SILVER *dynamic* AGM - 595 901 085 J38 2

| | | | |
|------------------------------|----------------------|--------------------------------|----------------------|
| BMW | | BMW | |
| 5 Touring (E61) | 03/04 # 12/10 | 5 (F10) | 01/09 # 10/16 |
| 530 d (160/170/173/155 kW) | | 530 d xDrive (190/210 kW) | |
| 535 d (200/210 kW) | | 535 d xDrive (230 kW) | |
| 530 i (190/200/200 kW) | | ActiveHybrid (250/225 kW) | |
| 550 i (270 kW) | | M5 (412 kW) | |
| 530 xd (170/173 kW) | | 535 i (225/240 kW) | |
| 525 xi (160/160 kW) | | 550 i (300/330 kW) | |
| 530 xi (190/200/200 kW) | | 550 i xDrive (300/330 kW) | |
| 520 d (120/110/130 kW) | | 520 d xDrive | |
| 525 d (145 kW) | | (135/140/120/147/100/155/151 | |
| 525 xd (145 kW) | | kW) | |
| 525 i xDrive (160 kW) | | 518 d (105/110/100/120 kW) | |
| 530 i xDrive (200 kW) | | M5 30th Anniversary (441 kW) | |
| 525 d xDrive (145 kW) | | 5 Touring (F11) | 11/09 # 02/17 |
| 530 d xDrive (173 kW) | | 520 i (120 kW) | |
| 5 Gran Turismo (F07) | 01/09 # 02/17 | 535 d (225/230/220 kW) | |
| 528 i (180 kW) | | 520 d (155/135/140/120 kW) | |
| 550 i (298/300/330 kW) | | M 550 d xDrive (280 kW) | |
| 535 d (225/220/230 kW) | | 528 i (180/190 kW) | |
| 535 d xDrive (225/220 kW) | | 528 i xDrive (180 kW) | |
| 530 d (155/180 kW) | | 530 i (200/190 kW) | |
| 535 i (225 kW) | | 550 i (300/330 kW) | |
| 535 i xDrive (225 kW) | | 525 d (160/150/155 kW) | |
| 550 i xDrive (300/330 kW) | | 525 d xDrive (160/155 kW) | |
| 530 d xDrive (180 kW) | | 530 d (190/180/210 kW) | |
| 520 d (135/120/100 kW) | | 530 d xDrive (190/210 kW) | |
| 5 (F10) | 01/09 # 10/16 | 535 d xDrive (230 kW) | |
| 520 i (125 kW) | | 535 i xDrive (225/240 kW) | |
| 523 i (160/150/150/155 kW) | | 523 i (150/150 kW) | |
| 535 d (225/230/220 kW) | | 535 i (225/240 kW) | |
| 520 d | | 520 d xDrive (135/140/120 kW) | |
| (147/135/140/120/100/155/151 | | 518 d (105/110/100/120 kW) | |
| kW) | | 5 (G30, F90) | 09/16 # |
| 525 d xDrive (155/160 kW) | | 530 e Plug-in-Hybrid (120 kW) | |
| 525 d (155/160/150 kW) | | 530 e Plug-in-Hybrid xDrive | |
| 530 d (210/190/180 kW) | | (200/135/185/120 kW) | |
| M5 Competition (423 kW) | | 530 i xDrive (183 kW) | |
| M 550 d xDrive (280 kW) | | 520 i Mild-Hybrid (135/120 kW) | |
| 535 i xDrive (225/240 kW) | | 520 E PLUG-IN-HYBRID (120 | |
| 528 i (180/190 kW) | | kW) | |
| 528 i xDrive (180 kW) | | 520 d Mild-Hybrid (140/120 kW) | |
| 530 i (200/190 kW) | | 520 d Mild-Hybrid xDrive (140 | |

SILVER *dynamic* AGM - 595 901 085 J38 2

| | | | |
|-----------------------------------|----------------|-----------------------------------|----------------------|
| BMW | | BMW | |
| 5 (G30, F90) | 09/16 # | 5 Touring (G31) | 03/17 # |
| kW) | | 530 d Mild-Hybrid xDrive | |
| 530 i Mild-Hybrid (185 kW) | | (183/210 kW) | |
| 530 i Mild-Hybrid xDrive (185 kW) | | 520 d Mild-Hybrid (140/120 kW) | |
| 540 i Mild-Hybrid (245 kW) | | 530 i Mild-Hybrid (185 kW) | |
| 540 i Mild-Hybrid xDrive (245 kW) | | 518 d Mild-Hybrid (100/110 kW) | |
| 530 d Mild-Hybrid (210/183 kW) | | 520 d Mild-Hybrid xDrive (140 | |
| 530 d Mild-Hybrid xDrive | | kW) | |
| (210/183 kW) | | 530 i Mild-Hybrid xDrive (185 kW) | |
| 540 d Mild-Hybrid xDrive (250 | | 540 i Mild-Hybrid xDrive (245 kW) | |
| kW) | | 540 d Mild-Hybrid xDrive (250 | |
| 518 d Mild-Hybrid (100/110 kW) | | kW) | |
| 530 e Plug-in-Hybrid (135 kW) | | 5 Touring Van (G31) | 03/17 # |
| 520 i (120/135 kW) | | 520 i (135 kW) | |
| 530 i (185 kW) | | 520 d (140 kW) | |
| 530 i xDrive (185 kW) | | 520 d xDrive (140 kW) | |
| 540 i (250/265 kW) | | 530 d (195 kW) | |
| 540 i xDrive (250/265 kW) | | 530 d xDrive (195 kW) | |
| M 550 i xDrive (340/390 kW) | | 530 i (185 kW) | |
| 520 d (140/120 kW) | | 530 i xDrive (185 kW) | |
| 520 d xDrive (140/120 kW) | | 540 d xDrive (235 kW) | |
| 530 d (195 kW) | | 540 i xDrive (250 kW) | |
| 530 d xDrive (195/183 kW) | | 6 (E63) | 09/03 # 12/10 |
| 525 d (170/155 kW) | | 630 i (200 kW) | |
| 540 d xDrive (235 kW) | | 650 i (270 kW) | |
| M 550 d xDrive (294 kW) | | 635 d (210 kW) | |
| 518 d (100/110 kW) | | 6 Décapotable (E64) | 03/04 # 12/10 |
| 5 Touring (G31) | 03/17 # | 630 i (200 kW) | |
| 520 i (120 kW) | | 650 i (270 kW) | |
| 540 i xDrive (265/250/265 kW) | | 635 d (210 kW) | |
| 525 d (170/155 kW) | | 6 Décapotable (F12) | 12/10 # 06/18 |
| 530 i (185 kW) | | 640 i (235 kW) | |
| 520 d (120 kW) | | 640 d xDrive (230 kW) | |
| M 550 d xDrive (294 kW) | | M6 (412 kW) | |
| 540 d xDrive (235 kW) | | 650 i (300/330/298 kW) | |
| 520 d xDrive (140/120 kW) | | 640 d (230 kW) | |
| 518 d (110/100 kW) | | 650 i xDrive (300/330 kW) | |
| 530 d (195 kW) | | 640 i xDrive (235 kW) | |
| 530 d xDrive (195 kW) | | M6 Competition (423/441 kW) | |
| 530 i xDrive (185 kW) | | 6 Coupé (F13) | 07/11 # 10/17 |
| 520 i Mild-Hybrid (120 kW) | | 640 i (235 kW) | |
| 530 d Mild-Hybrid (183/210 kW) | | M6 (412 kW) | |

SILVER *dynamic* AGM - 595 901 085 J38 2

| | | | |
|-----------------------------------|----------------------|---|----------------------|
| BMW | | BMW | |
| 6 Coupé (F13) | 07/11 # 10/17 | 7 (E38) | 03/94 # 11/01 |
| 640 d xDrive (230 kW) | | 725 tds (105 kW) | |
| 650 i (300/330/298 kW) | | 750 i, iL (240 kW) | |
| 650 i xDrive (300/330 kW) | | 740 i, iL (210/210 kW) | |
| 640 d (230 kW) | | 730 d (135/142 kW) | |
| 640 i xDrive (235 kW) | | 740 d (180 kW) | |
| M6 Competition (423/441 kW) | | 7 (E65, E66, E67) | 07/01 # 12/09 |
| 6 Gran Coupe (F06) | 03/12 # 10/18 | 730 i, Li (170 kW) | |
| 640 i (235 kW) | | 760 i, Li (326 kW) | |
| 650 i (330 kW) | | 730 d (160/155/150 kW) | |
| 650 i xDrive (330 kW) | | 735 i, Li (200 kW) | |
| 640 d (230 kW) | | 760 i, Li (327 kW) | |
| 640 i xDrive (235 kW) | | 745 i, Li (245 kW) | |
| 640 d xDrive (230 kW) | | 740 d (190 kW) | |
| M6 (412 kW) | | 740 i, Li (225 kW) | |
| M6 Competition (423/441 kW) | | 750 i, Li (270 kW) | |
| 6 Gran Turismo (G32) | 06/17 # | 730 Ld (170 kW) | |
| 630 i (183 kW) | | 760 i (320 kW) | |
| 630 i xDrive (190 kW) | | 7 (F01, F02, F03, F04) | 02/08 # 12/15 |
| 630 i Mild-Hybrid (190 kW) | | ActiveHybrid 7 (330 kW) | |
| 640 i Mild-Hybrid (245 kW) | | 740 d xDrive (225/230 kW) | |
| 640 i Mild-Hybrid xDrive (245 kW) | | 730 i, Li (190 kW) | |
| 620 d Mild-Hybrid (140/120 kW) | | 740 i, Li (240/235 kW) | |
| 630 d Mild-Hybrid (210/155 kW) | | 750 i, Li (300/330 kW) | |
| 630 d Mild-Hybrid xDrive (210 kW) | | 730 d (180/155/190 kW) | |
| 640 d Mild-Hybrid xDrive (250 kW) | | 750 i, Li xDrive (300/330 kW) | |
| 620 d Mild-Hybrid xDrive (140 kW) | | 760 i, Li (400 kW) | |
| 630 i (190 kW) | | 740 d (225/230 kW) | |
| 640 i (250/265 kW) | | 730 d xDrive (190/155 kW) | |
| 640 i xDrive (250/265 kW) | | 750 d xDrive (280 kW) | |
| 630 d (195/155 kW) | | 750 i (331 kW) | |
| 630 d xDrive (183/195/155 kW) | | 740 i, Li xDrive (235 kW) | |
| 620 d (140/120 kW) | | 7 (G11, G12) | 07/15 # |
| 620 d xDrive (140/120 kW) | | 740 e, Le (190 kW) | |
| 640 d xDrive (235 kW) | | 730 i, Li (195/190 kW) | |
| 7 (E38) | 03/94 # 11/01 | 745 Le Plug-in-Hybrid xDrive (290/210 kW) | |
| 728 i, iL (142 kW) | | 740 i, Li (240/250 kW) | |
| 735 i, iL (173 kW) | | 750 i, Li xDrive (330/390 kW) | |
| 730 i, iL (155/160 kW) | | 750 i, Li (330 kW) | |
| | | 740 Li xDrive (240/250 kW) | |
| | | 740 Le xDrive (240/190 kW) | |

SILVER *dynamic* AGM - 595 901 085 J38 2

| | | | |
|---|----------------------|--------------------------------------|----------------------|
| BMW | | BMW | |
| 7 (G11, G12) | 07/15 # | X3 (F25) | 09/10 # 08/17 |
| 750 d, Ld xDrive (294 kW) | | sDrive 20 i (125 kW) | |
| 725 d, Ld (170/155 kW) | | xDrive 28 d (134 kW) | |
| 745 e, Le Plug-in-Hybrid (210/290 kW) | | xDrive 35 d (230 kW) | |
| 730 d (195/155 kW) | | xDrive 28 i (190/180 kW) | |
| 730 d, Ld xDrive (195 kW) | | xDrive 30 d (190/155/210/183/204 kW) | |
| 730 d xDrive (155 kW) | | xDrive 20 i (135 kW) | |
| 740 d, Ld xDrive (235 kW) | | xDrive 35 i (225 kW) | |
| 730 i (183 kW) | | xDrive 20 d (135/120/140 kW) | |
| 730 d, Ld Mild-Hybrid (210 kW) | | sDrive 18 d (100/105/110 kW) | |
| 750 Li xDrive (330 kW) | | sDrive 28 i (180 kW) | |
| 730 d, Ld xDrive (183 kW) | | X3 (G01, F97) | 07/17 # |
| 730 d Mild-Hybrid xDrive (155 kW) | | xDrive 30 e Plug-in-Hybrid (135 kW) | |
| 730 d, Ld Mild-Hybrid xDrive (210/183 kW) | | xDrive 20 i (135 kW) | |
| 740 d, Ld Mild-Hybrid xDrive (250 kW) | | xDrive M40 i (265/260 kW) | |
| 8 (E31) | 01/90 # 12/99 | xDrive 20 d (140/120 kW) | |
| 850 CSi (277 kW) | | xDrive 30 i (185 kW) | |
| 8 Coupé (G15, F92) | 07/18 # | xDrive 30d (195/183 kW) | |
| 840 i (250 kW) | | sDrive 20 i (135 kW) | |
| M 850 i xDrive (390 kW) | | sDrive 20 i 1.6 (125 kW) | |
| 840 d xDrive (235 kW) | | xDrive 25 d (170/155 kW) | |
| 8 Gran Coupe (G16, F93) | 07/19 # | xDrive M40 d (240 kW) | |
| 840 i (250 kW) | | sDrive 18 d (110/100 kW) | |
| M 850 i xDrive (390 kW) | | xDrive 30 i (183 kW) | |
| 840 d xDrive (235 kW) | | xDrive 20 d Mild-Hybrid (120/140 kW) | |
| 8 Décapotable (G14, F91) | 11/18 # | xDrive 30d Mild-Hybrid (183 kW) | |
| 840 i (250 kW) | | xDrive M40 d Mild-Hybrid (250 kW) | |
| M 850 i xDrive (390 kW) | | xDrive M40 i (285 kW) | |
| 840 d xDrive (235 kW) | | sDrive 18 d Mild-Hybrid (100/110 kW) | |
| X3 (E83) | 01/03 # 12/11 | X3 Van (G01) | 07/17 # |
| xDrive 18 d (100 kW) | | xDrive 20 i (135 kW) | |
| xDrive 20 d (120/130 kW) | | sDrive 18 d (110 kW) | |
| 3.0 d (150/160/155 kW) | | xDrive 30 i (185 kW) | |
| 2.0 d (110 kW) | | xDrive M40 i (265/285 kW) | |
| 3.0 sd (210 kW) | | xDrive 20 d (140 kW) | |
| 2.0 sd (130 kW) | | xDrive 30 d (195 kW) | |
| xDrive 35 d (210 kW) | | | |

SILVER *dynamic* AGM - 595 901 085 J38 2

| | | | |
|--------------------------------------|----------------------|--------------------------------------|----------------------|
| BMW | | BMW | |
| X4 (F26) | 05/13 # 03/18 | X5 (E70) | 02/06 # 07/13 |
| xDrive 20 i (135 kW) | | M (408 kW) | |
| xDrive 28 i (180 kW) | | 3.0 3.0d (155 kW) | |
| xDrive 35 i (225 kW) | | M 50 d (280 kW) | |
| xDrive 20 d (140/120 kW) | | xDrive 40 i (225 kW) | |
| xDrive 30 d | | xDrive 30 i (194 kW) | |
| (190/155/210/183/204 kW) | | X5 (F15, F85) | 08/13 # 07/18 |
| xDrive 35 d (230 kW) | | xDrive 35 i (225 kW) | |
| M 40 i (265 kW) | | xDrive 40e (230/180/205/155 kW) | |
| X4 (G02, F98) | 04/18 # | xDrive 30 d (190/204/183/210 kW) | |
| xDrive 20 i (135 kW) | | xDrive 40 d (230 kW) | |
| M40 i xDrive (265/260 kW) | | X5 (G05, F95) | 08/18 # |
| xDrive 30 i (185 kW) | | xDrive 45 e Plug-in-Hybrid (155 kW) | |
| xDrive 20 d (140 kW) | | xDrive 50 i (340 kW) | |
| xDrive 25 d (155/170 kW) | | M50 i xDrive (390 kW) | |
| xDrive 20 d xDrive (120 kW) | | xDrive 25 d (155 kW) | |
| xDrive 30 d (183/195 kW) | | xDrive 40 d Mild-Hybrid (250 kW) | |
| M40 d xDrive (240 kW) | | xDrive 30 d Mild-Hybrid (183/210 kW) | |
| xDrive 30 i (183 kW) | | xDrive 45 e Plug-in-Hybrid (210 kW) | |
| xDrive 20 d Mild-Hybrid (120/140 kW) | | xDrive 30 d (195/183 kW) | |
| xDrive 30 d Mild-Hybrid (183 kW) | | xDrive 25 d (170 kW) | |
| M40 d Mild-Hybrid xDrive (250 kW) | | xDrive 40 i (250 kW) | |
| X5 (E53) | 01/00 # 12/06 | xDrive M 50 d (294 kW) | |
| 3.0 i (170 kW) | | X5 Van (G05) | 11/19 # |
| 4.4 i (210/235 kW) | | xDrive 40 i (250 kW) | |
| 4.6 is (255 kW) | | xDrive 30 d (195 kW) | |
| 3.0 d (135/160/155 kW) | | X6 (E71, E72) | 06/07 # 07/14 |
| 4.8 is (265 kW) | | xDrive 35 i (224 kW) | |
| X5 (E70) | 02/06 # 07/13 | xDrive 30 d (180/155/173 kW) | |
| xDrive 30 i (171 kW) | | xDrive 40 d (225 kW) | |
| xDrive 30 d (180/173/155 kW) | | ActiveHybrid (357 kW) | |
| xDrive 40 d (225 kW) | | xDrive 50 i (300/330 kW) | |
| xDrive 35 i (225/235 kW) | | xDrive 35 d (210 kW) | |
| xDrive 50 i (300 kW) | | M (408 kW) | |
| 3.0 si (200 kW) | | M 50 d (280 kW) | |
| 4.8 i xDrive (261 kW) | | ActiveHybrid xDrive (300 kW) | |
| 3.0 d (173 kW) | | X6 (F16, F86) | 08/14 # 07/19 |
| 3.0 sd (210 kW) | | xDrive 28 i (180 kW) | |
| xDrive 48 i (261 kW) | | | |
| xDrive 35 d (210 kW) | | | |

SILVER *dynamic* AGM - 595 901 085 J38 2

| | | | |
|--|---------------|------------------------------------|---------------|
| BMW | | CADILLAC | |
| X6 (F16, F86) | 08/14 # 07/19 | CT6 | 11/15 # 12/20 |
| xDrive 35 i (240 kW) | | 3.0 Turbo AWD (298 kW) | |
| xDrive 30 d (190/155/204/183 kW) | | 3.6 AWD (250 kW) | |
| M 50 d (280 kW) | | CHEVROLET | |
| xDrive 40 d (230 kW) | | CAPTIVA (C100, C140) | 06/06 # |
| M (423 kW) | | 2.2 D (120 kW) | |
| X6 (G06, F96) | 08/19 # | 2.2 D 4WD (135 kW) | |
| xDrive 40 i (250 kW) | | MALIBU (V300) | 01/12 # |
| M50 i xDrive (390 kW) | | 2.4 (123 kW) | |
| xDrive 30 d (195/183/155 kW) | | 2.0 D (118 kW) | |
| xDrive M 50 d (294 kW) | | TRAILBLAZER (31UX) | 08/12 # |
| xDrive 40 d Mild-Hybrid (250 kW) | | 3.6 (176 kW) | |
| xDrive 30 d Mild-Hybrid (183/210/155 kW) | | 3.6 4WD (176 kW) | |
| X7 (G07) | 03/19 # | CHRYSLER | |
| xDrive 40 i (250 kW) | | GRAND VOYAGER V (RT) | 10/07 # |
| xDrive 30 d (195/155/183 kW) | | 3.6 (208 kW) | |
| xDrive M 50 d (294 kW) | | VOYAGER II (ES) | 08/90 # 09/95 |
| xDrive M 50 i (390 kW) | | 2.5 TD (87 kW) | |
| xDrive 40 d Mild-Hybrid (250/155 kW) | | 300C (LX, LE) | 09/04 # |
| Z4 Roadster (G29) | 11/18 # | 3.0 CRD (160 kW) | |
| sDrive 20 i (120 kW) | | 3.0 V6 CRD (155 kW) | |
| sDrive 30 i (190 kW) | | 300C Touring (LX, LE) | 09/04 # 12/10 |
| M40 i (250 kW) | | 3.0 CRD (160 kW) | |
| Z8 Roadster (E52) | 01/00 # 12/03 | 300C (LX) | 09/10 # |
| 4.9 (294 kW) | | 3.0 CRD (176 kW) | |
| BMW (BRILLIANCE) | | CITROËN | |
| 3 SERIES (E90) | 10/04 # 09/12 | C6 (TD_) | 09/05 # 12/12 |
| 325 i (160 kW) | | 3.0 HDi (155 kW) | |
| BUGATTI | | JUMPER Autobus/Autocar (244, Z_) | 04/02 # |
| EB 110 | 09/91 # 12/96 | 2.8 HDi (94 kW) | |
| GT (411 kW) | | 2.8 HDi Traction intégrale (94 kW) | |
| S (450 kW) | | JUMPER Autobus/Autocar | 04/06 # |
| VEYRON EB 16.4 | 10/03 # 12/12 | 2.0 BlueHDi 110 (81 kW) | |
| 8.0 W16 (736 kW) | | 2.2 HDi 130 (96 kW) | |
| 8.0 W16 Super Sport (882 kW) | | 2.2 HDi 150 (110 kW) | |
| VEYRON Grand Sport EB 16.4 | 03/09 # | JUMPER Camionnette | 04/06 # |
| 8.0 W16 (736 kW) | | 2.2 HDi 100 (74 kW) | |
| 8.0 W16 Super Sport (882 kW) | | 2.2 HDi 110 (81 kW) | |

SILVER *dynamic* AGM - 595 901 085 J38 2

| | | | |
|-------------------------|---------------|--------------------------------|---------------|
| CITROËN | | FERRARI | |
| JUMPER Camionnette | 04/06 # | FF | 06/11 # 12/16 |
| 2.2 HDi 130 (96 kW) | | 6.3 (478 kW) | |
| 2.2 HDi 150 (110 kW) | | F12 Berlinetta (F152) | 09/12 # |
| 2.2 HDi 120 (88 kW) | | 6.3 (544 kW) | |
| 2.2 HDi 130 4x4 (96 kW) | | 6.3 tdf (574 kW) | |
| JUMPER Camion | 04/06 # | LaFERRARI (F150) | 06/13 # |
| plate-forme/Châssis | | 6.3 Hybrid (588 kW) | |
| 2.2 HDi 130 (96 kW) | | LaFERRARI APERTA Spider | 10/16 # |
| 2.2 HDi 150 (110 kW) | | (F150) | |
| DAIMLER | | 6.3 Hybrid (585 kW) | |
| DAIMLER XJ (X30_) | 10/94 # 06/03 | FIAT | |
| Six 4.0 (209 kW) | | DUCATO Autobus/Autocar (230_) | 03/94 # 05/05 |
| V8 Super 4.0 (267 kW) | | 2.0 JTD (62 kW) | |
| SUPER EIGHT (X350) | 09/05 # 12/09 | 2.5 TDI Panorama/Combinato | |
| 4.2 (291 kW) | | (85/80 kW) | |
| DODGE | | 2.5 D Combinato (62 kW) | |
| VIPER Coupé | 10/91 # 09/02 | 2.8 TDI (90 kW) | |
| 8.0 RT10 ACR (335 kW) | | 2.8 D (64 kW) | |
| VIPER Coupé | 01/03 # | 2.5 TDI 4x4 (85 kW) | |
| SRT-10 (372 kW) | | 2.8 TDI 4x4 (90 kW) | |
| VIPER Coupé | 09/07 # 12/10 | 2.8 JTD (94 kW) | |
| SRT-10 (450 kW) | | 2.8 JTD 4x4 (94 kW) | |
| VIPER Coupé | 09/12 # | DUCATO Autobus/Autocar (250_) | 07/06 # |
| 8.4 (477 kW) | | 130 Multijet 2,3 D (96 kW) | |
| VIPER Décapotable | 10/91 # 09/02 | 150 Multijet 2,3 D (109 kW) | |
| 8.0 RT10 (299 kW) | | DUCATO Camionnette (250_) | 07/06 # |
| 8.0 RT10 ACR (335 kW) | | 130 Multijet 2,3 D (96 kW) | |
| VIPER Décapotable | 09/02 # 12/17 | 150 Multijet 2,3 D (109 kW) | |
| SRT-10 (372 kW) | | DUCATO Camion | 07/06 # |
| FERRARI | | plate-forme/Châssis (250_) | |
| 488 Spider | 10/15 # | 140 Natural Power (100 kW) | |
| 3.9 Pista (530 kW) | | 150 Multijet 3,0 D (107 kW) | |
| 599 GTB/GTO | 06/06 # | 150 Multijet 2,3 D (109 kW) | |
| 6.0 GTO (489 kW) | | 120 Multijet 2,3 D 4x4 (88 kW) | |
| 812 SUPERFAST (F152M) | 03/17 # | 110 Multijet 2,3 D (83 kW) | |
| 6.5 (588 kW) | | 100 Multijet 2,2 D (74 kW) | |
| CALIFORNIA | 07/08 # | 130 Multijet 2,3 D (96 kW) | |
| 3.9 T (412 kW) | | FORD | |
| 4.3 (360 kW) | | TRANSIT Autobus/Autocar (FD_ | 04/06 # 12/14 |
| | | _ , FB_ , FS_ , FZ_ , FC_) | |
| | | 2.2 TDCi RWD (92 kW) | |

SILVER *dynamic* AGM - 595 901 085 J38 2

| | | | |
|--|--|--|--|
| FORD | | HYUNDAI | |
| TRANSIT Camionnette (FA_ _) 04/06 # 12/14 | | SANTA FE IV (TM, TMA) 02/18 # | |
| 2.2 TDCi RWD (74 kW) | | 2.0 CRDi AWD (137/110 kW) | |
| TRANSIT Camion 04/06 # 12/14 | | 2.2 CRDi (147 kW) | |
| plate-forme/Châssis (FM_ _, FN_ _ , FF_ _) | | 2.4 AWD (127 kW) | |
| 2.2 TDCi RWD (114 kW) | | 2.4 GDI AWD (136/138 kW) | |
| TRANSIT V363 Autobus/Autocar 08/13 # | | GRAND SANTA FÉ 01/13 # | |
| (FAD, FBD) | | 2.2 CRDi Traction intégrale (147 kW) | |
| 2.2 TDCi RWD (74 kW) | | JAGUAR | |
| 2.2 TDCi (114/74 kW) | | E-PACE (X540) 09/17 # | |
| 2.2 TDCi 4x4 (92 kW) | | 2.0 D150 (110 kW) | |
| 2.2 TDCi Traction intégrale (114 kW) | | 2.0 D150 AWD (110 kW) | |
| TRANSIT V363 Camionnette 08/13 # | | 2.0 D180 AWD (132 kW) | |
| (FCD, FDD) | | 2.0 D240 AWD (177 kW) | |
| 2.2 TDCi (74 kW) | | F-TYPE Coupé (X152) 09/13 # | |
| 2.2 TDCi RWD (114/92/74 kW) | | 2.0 Ti4 (221 kW) | |
| 2.2 TDCi 4x4 (114/92 kW) | | 3.0 SCV6 (250 kW) | |
| TRANSIT V363 Camion 08/13 # | | 3.0 SCV6 S (280 kW) | |
| plate-forme/Châssis (FED, FFD) | | 5.0 SCV8 R (405 kW) | |
| 2.2 TDCi (74 kW) | | 3.0 SCV6 S AWD (280 kW) | |
| 2.2 TDCi RWD (74 kW) | | 5.0 SCV8 R AWD (405 kW) | |
| 2.2 TDCi 4x4 (92/114 kW) | | 5.0 SCV8 SVR / SCV8 P575 R (423 kW) | |
| HYUNDAI | | 3.0 SCV6 400 SPORT (294 kW) | |
| SANTA FÉ III (DM, DMA) 09/12 # | | 3.0 SCV6 400 SPORT AWD (294 kW) | |
| 2.0 GDi (177 kW) | | 5.0 SCV8 P450 (331 kW) | |
| 3.4 AWD (183 kW) | | 5.0 SCV8 P450 AWD (331 kW) | |
| 3.3 4WD (199 kW) | | F-TYPE Décapotable (X152) 10/12 # | |
| 2.2 CRDi 4WD (147 kW) | | 2.0 Ti4 (221 kW) | |
| 2.4 GDI (138 kW) | | 3.0 SCV6 (250 kW) | |
| 2.4 GDI 4WD (138 kW) | | 3.0 SCV6 S (280 kW) | |
| 2.2 CRDi (147 kW) | | 5.0 SCV8 S (364 kW) | |
| 2.0 CRDi (136 kW) | | 3.0 SCV6 S AWD (280 kW) | |
| 2.4 CCVT (126 kW) | | 5.0 SCV8 R (405 kW) | |
| SANTA FE IV (TM, TMA) 02/18 # | | 5.0 SCV8 R AWD (405 kW) | |
| 2.0 T-GDI (173 kW) | | 5.0 SCV8 SVR / SCV8 P575 R AWD (423 kW) | |
| 2.0 AWD (173 kW) | | SCV6 400 SPORT (294 kW) | |
| 3.5 MPI AWD (183 kW) | | SCV6 400 SPORT AWD (294 kW) | |
| 2.4 (127 kW) | | 5.0 SCV8 SVR (423 kW) | |
| 2.2 CRDi AWD (155/147 kW) | | | |
| 2.0 CRDi (139/137/110 kW) | | | |
| 3.5 MPI AWD (206 kW) | | | |

SILVER *dynamic* AGM - 595 901 085 J38 2

| | | | |
|---------------------------------|---------------|------------------------------|---------------|
| JAGUAR | | JAGUAR | |
| F-TYPE Décapotable (X152) | 10/12 # | XF SPORTBRAKE (X250) | 09/12 # 12/15 |
| 5.0 SCV8 P450 (331 kW) | | 5.0 XFR-S (405 kW) | |
| 5.0 SCV8 P450 AWD (331 kW) | | 2.2 D (147/120 kW) | |
| F-PACE (X761) | 09/15 # | 3.0 D (177/202 kW) | |
| 2.0 Ti4 (184 kW) | | XF II (X260) | 05/15 # |
| 2.0 Ti4 AWD (221/184 kW) | | 2.0 (147 kW) | |
| 3.0 SCV6 AWD (250/280 kW) | | 3.0 (250/280 kW) | |
| 3.0 SDV6 AWD (221 kW) | | 3.0 D (221 kW) | |
| 2.0 TD4 (132/120 kW) | | 2.0 D (120/132/177 kW) | |
| 2.0 TD4 AWD (132 kW) | | 3.0 AWD (250/280 kW) | |
| 2.0 SD4 AWD (177 kW) | | 2.0 D AWD (132/177 kW) | |
| 5.0 SCV8 SVR AWD (405 kW) | | 2.0 AWD (184/221 kW) | |
| S-TYPE II (X200) | 10/98 # 12/08 | XF SPORTBRAKE (X260) | 07/17 # |
| 2.5 V6 (147 kW) | | 2.0 (147 kW) | |
| 4.2 V8 (219 kW) | | 2.0 D (120/132 kW) | |
| 3.0 V6 (175 kW) | | 2.0 D AWD (132/177 kW) | |
| 4.0 V8 (203/209 kW) | | 2.0 AWD (221 kW) | |
| R 4,2 V8 (291 kW) | | 3.0 D (221 kW) | |
| 2.7 D (152 kW) | | 3.0 AWD (280 kW) | |
| 4.2 Supercharged (298 kW) | | 3.0 (280 kW) | |
| XE (X760) | 03/15 # | XJ (X308) | 09/96 # 06/03 |
| 2.0 (147 kW) | | 3.2 (174 kW) | |
| 2.0 AWD (184/221 kW) | | 4.0 (267/209/276/183/216 kW) | |
| 2.0 D (120/132 kW) | | XJ (X350, X358) | 03/03 # 03/09 |
| 3.0 S (250/280 kW) | | 3.0 (175 kW) | |
| 2.0 D AWD (132/177 kW) | | XJ (X351) | 10/09 # |
| 5.0 SVO PROJECT 8 (441 kW) | | 2.0 Ti4 (177 kW) | |
| XF I (X250) | 03/08 # 04/15 | 5.0 SCV8 (346/405/375 kW) | |
| 2.0 (177 kW) | | 3.0 SDV6 (202/221 kW) | |
| 3.0 D (155/177 kW) | | 5.0 V8 (283/287 kW) | |
| 5.0 Kompressor (346/375/380 kW) | | 3.0 SCV6 (250 kW) | |
| 2.2 D (140/147 kW) | | 3.0 V6 (175 kW) | |
| 4.2 (219 kW) | | 3.0 SCV6 AWD (250 kW) | |
| 4.2 Kompressor (306 kW) | | 5.0 SCV8 R575 (423 kW) | |
| 2.7 D (152 kW) | | XK 8 Coupé (X100) | 03/96 # 12/06 |
| 5.0 (283 kW) | | 4.0 (209 kW) | |
| 3.0 (250 kW) | | 4.2 (219 kW) | |
| 5.0 XFR-S (405 kW) | | R 4.2 (291 kW) | |
| 3.0 AWD (250 kW) | | XK 8 Convertible (X100) | 03/96 # 12/06 |
| XF SPORTBRAKE (X250) | 09/12 # 12/15 | 4.0 (209 kW) | |
| 2.0 T (177 kW) | | 4.2 (219 kW) | |

SILVER *dynamic* AGM - 595 901 085 J38 2

| | | | |
|--|---------------|-----------------------------|---------|
| JAGUAR | | KIA | |
| XK 8 Convertible (X100) | 03/96 # 12/06 | K9 II (RJ) | 03/18 # |
| R 4.2 (291 kW) | | 5.0 GDi AWD (304 kW) | |
| XK II Coupé (X150) | 03/06 # 12/14 | QUORIS I (KH) | 04/12 # |
| 3.6 (190 kW) | | 5.0 GDI (224 kW) | |
| 5.0 XKR-S (405 kW) | | SORENTO III (UM) | 01/15 # |
| 5.0 XKR (390/375 kW) | | 2.0 GDI 4WD (136 kW) | |
| 4.2 XKR (313/291/306 kW) | | 2.4 GDI 4WD (138 kW) | |
| 4.2 XK8 (219 kW) | | 2.2 CRDi (147 kW) | |
| 5.0 V8 (283 kW) | | 2.2 CRDi 4WD (147/149 kW) | |
| 4.2 XK (224 kW) | | 2.4 GDI (138 kW) | |
| XK II Décapotable (X150) | 03/06 # 07/14 | 3.3 (199 kW) | |
| 3.6 (190 kW) | | 2.4 (126/129 kW) | |
| 5.0 XKR-S (405 kW) | | 2.4 4WD (126/129 kW) | |
| 4.2 XKR (313/306 kW) | | 2.2 CRDI 4WD (145/142 kW) | |
| 4.2 XK8 (219 kW) | | 2.0 CRDi (137 kW) | |
| 5.0 XKR (375 kW) | | 3.3 4WD (199 kW) | |
| 5.0 V8 (283 kW) | | 2.0 CRDI 4WD (136 kW) | |
| 4.2 (291 kW) | | 3.5 D-CVVT (206/203/183 kW) | |
| 4.2 XK (224 kW) | | 3.3 CVVT 4WD (184 kW) | |
| JAGUAR (CHERY) | | 3.5 D-CVVT 4WD (183/203 kW) | |
| XFL | 08/16 # | 3.3 (196 kW) | |
| 25t (177 kW) | | STINGER (CK) | 06/17 # |
| 35t (250 kW) | | 2.0 T-GDI (145 kW) | |
| JEEP | | 2.0 T-GDi (188 kW) | |
| GRAND CHEROKEE II (WJ, WG) 09/98 # 09/05 | | 2.0 T-GDi 4WD (188 kW) | |
| 2.7 CRD 4x4 (120 kW) | | 3.3 T-GDi (272 kW) | |
| 2.7 CRD Laredo (120 kW) | | 3.3 T-GDi 4WD (272 kW) | |
| GRAND CHEROKEE III (WH, WK) | 10/04 # 10/11 | 2.2 CRDi VGT (147 kW) | |
| 3.0 CRD 4x4 (155 kW) | | 2.2 CRDi VGT 4WD (147 kW) | |
| KIA | | 3.3 T-GDI 4WD (269 kW) | |
| CADENZA I (VG) | 01/10 # | 2.0 T-GDI 4WD (145 kW) | |
| 3.3 CVVT (191 kW) | | 3.3 T-GDI (269 kW) | |
| CADENZA II (YG) | 01/16 # | 3.3 T-GDI (268 kW) | |
| 3.3 (191 kW) | | STINGER Hatchback Van (CK) | 06/17 # |
| 3.3 MPI (199 kW) | | 2.0 T-GDI (180 kW) | |
| 3.3 GDI (209 kW) | | 3.3 T-GDI (269 kW) | |
| 3.3 GDi (213 kW) | | 2.2 CRDi VGT (147 kW) | |
| K9 II (RJ) | 03/18 # | 2.2 CRDi VGT 4WD (147 kW) | |
| 3.3 GDi (183 kW) | | LAMBORGHINI | |
| 3.3 GDi AWD (183 kW) | | GALLARDO | 08/03 # |
| | | 5.0 (368 kW) | |

SILVER *dynamic* AGM - 595 901 085 J38 2

| | | | |
|--|---------------|--------------------------------------|---------------|
| LAMBORGHINI | | LAND ROVER | |
| GALLARDO | 08/03 # | DISCOVERY III (L319) | 07/04 # 09/09 |
| 5.2 LP560-4 (412 kW) | | 4.0 4x4 (160 kW) | |
| 5.0 Superleggera (390 kW) | | 4.4 4x4 (220 kW) | |
| GALLARDO SPYDER | 08/05 # | 2.7 TD 4x4 (140 kW) | |
| 5.0 (382 kW) | | 4.0 V6 4x4 (160 kW) | |
| 5.2 LP560-4 (412 kW) | | DISCOVERY III VAN (L319) | 01/07 # 07/09 |
| 5.2 (405 kW) | | 2.7 TD 4x4 (140 kW) | |
| 5.2 AWD (419 kW) | | DISCOVERY IV (L319) | 09/09 # 12/18 |
| LM-001 | 01/80 # 12/83 | 3.0 4x4 (250 kW) | |
| 4.8 (244 kW) | | 3.0 TD 4x4 (155/200/180/183 kW) | |
| LM-002 | 01/83 # 12/92 | 5.0 V8 4x4 (276 kW) | |
| 4.8 (244 kW) | | 2.7 TD 4x4 (140 kW) | |
| 5.2 (330 kW) | | 4.0 4x4 (160 kW) | |
| LANCIA | | 3.0 SDV6 4x4 (188 kW) | |
| THEMA (LX_) | 09/11 # 10/14 | DISCOVERY IV VAN (L319) | 09/09 # 12/17 |
| 3.6 (210 kW) | | 3.0 TD 4x4 (155 kW) | |
| 3.0 D (140/176 kW) | | DISCOVERY V (L462) | 09/16 # |
| 3.6 4WD (210 kW) | | 2.0 Si4 4x4 (221 kW) | |
| THESIS (841_) | 07/02 # 07/09 | 3.0 Td6 4x4 (190 kW) | |
| 2.0 Turbo (136 kW) | | 3.0 D 4x4 (183/155 kW) | |
| 3.0 V6 (158 kW) | | 3.0 SCV6 4x4 (250 kW) | |
| 2.4 (125 kW) | | 2.0 Td4 4x4 (132 kW) | |
| 2.4 JTD (110/129/120 kW) | | 2.0 Sd4 4x4 (177 kW) | |
| 3.2 V6 (169 kW) | | 3.0 SDV6 4x4 (225 kW) | |
| 2.4 D Multijet (136 kW) | | RANGE ROVER III (L322) | 03/02 # 12/12 |
| LAND ROVER | | 4.2 4x4 (291 kW) | |
| DEFENDER Station Wagon (L316) | 05/90 # 02/16 | 5.0 4x4 (276/375 kW) | |
| 2.2 Td4 4x4 (90 kW) | | 4.4 D 4x4 (230 kW) | |
| 2.4 Td4 4x4 (90 kW) | | 4.4 4x4 (210/220/225 kW) | |
| DEFENDER Cabrio (L316) | 08/90 # 02/16 | 3.0 D 4x4 (130 kW) | |
| 2.2 Td4 4x4 (90 kW) | | 3.6 D 4x4 (200 kW) | |
| 2.4 Td4 4x4 (90 kW) | | RANGE ROVER IV (L405) | 08/12 # |
| DEFENDER Pick Up (L316) | 10/95 # 05/16 | 2.0 P400e Hybrid 4x4 (221 kW) | |
| 2.2 Td4 4x4 (90 kW) | | 5.0 SCV8 4x4 (416/375/405/386 kW) | |
| 2.4 Td4 4x4 (90 kW) | | 3.0 SDV6 4x4 (183/202/215 kW) | |
| DEFENDER Camion plate-forme/Châssis (L316) | 09/90 # 02/16 | 3.0 TDV6 4x4 (190/155 kW) | |
| 2.2 Td4 4x4 (90 kW) | | 4.4 SDV8 4x4 (250/230 kW) | |
| 2.4 TD4 4x4 (90 kW) | | 3.0 SCV6 4x4 (250/280 kW) | |
| | | 3.0 SDV6 Hybrid 4x4 (250/215/260 kW) | |
| | | 5.0 V8 4x4 (276 kW) | |

SILVER *dynamic* AGM - 595 901 085 J38 2

| | | | |
|--|---------|--|---------|
| LAND ROVER | | LEXUS | |
| RANGE ROVER IV (L405) | 08/12 # | LS (_F5_) | 10/17 # |
| 3.0 P400 MHEV 4x4 (294 kW) | | 350 (229 kW) | |
| RANGE ROVER SPORT I (L320) 02/05 # 03/13 | | 500 AWD (310/307 kW) | |
| 4.2 4x4 (298 kW) | | 500 (310 kW) | |
| 5.0 4x4 (276/372/375 kW) | | 500h (220/264 kW) | |
| 3.0 D 4x4 (155/188/180/183 kW) | | 500h AWD (220 kW) | |
| 4.4 4x4 (220 kW) | | MAHINDRA | |
| 2.7 D 4x4 (140 kW) | | CJ 3 | |
| 3.6 D 4x4 (200 kW) | | 10/88 # 05/97 | |
| RANGE ROVER SPORT II (L494)04/13 # | | 2.1 D Traction intégrale (46 kW) | |
| 2.0 Si4 4x4 (221 kW) | | 2.3 D (28 kW) | |
| 3.0 SDV6 Hybrid 4x4 | | 2.5 D (29 kW) | |
| (215/250/260 kW) | | CJ 3 Wagon | |
| 3.0 P400 MHEV 4x4 (294 kW) | | 10/88 # | |
| 5.0 SCV8 4x4 (375/405/386/423 kW) | | 2.1 D (46 kW) | |
| 3.0 SCV6 4x4 (250/280 kW) | | 2.3 D (28 kW) | |
| 3.0 SDV6 4x4 (215/183/225 kW) | | 2.5 D (29 kW) | |
| 3.0 TDV6 4x4 (190/155 kW) | | CJ5 | |
| 4.4 SDV8 4x4 (250 kW) | | 10/87 # 12/16 | |
| 2.0 SD4 4x4 (177 kW) | | 2.1 D 4x4 (44 kW) | |
| 2.0 P400e PHEV 4x4 (221 kW) | | XUV500 | |
| RANGE ROVER VELAR (L560) 03/17 # | | 10/11 # | |
| 2.0 P250 Si4 4x4 (184 kW) | | 2.2 CRDe (103 kW) | |
| 2.0 P300 Si4 4x4 (221 kW) | | 2.2 CRDe AWD (103 kW) | |
| 3.0 P340 SCV6 4x4 (250 kW) | | MAN | |
| 2.0 D180 TD4 4x4 (132 kW) | | TGE Camionnette | |
| 2.0 D240 SD4 4x4 (177 kW) | | 02/17 # | |
| 3.0 P380 SCV6 4x4 (280 kW) | | eTGE (100 kW) | |
| 3.0 D300 SDV6 4x4 (221 kW) | | 2.0 TDI (75/130/103 kW) | |
| 5.0 SCV8 4x4 (405 kW) | | 2.0 TDI AWD (130/103 kW) | |
| DEFENDER Station Wagon (L663) 09/19 # | | 2.0 TDI RWD (130/90/103 kW) | |
| P300 Si4 4x4 (221 kW) | | TGE Camion plate-forme/Châssis 11/16 # (UZ_) | |
| D200 SD4 4x4 (147 kW) | | 2.0 TDI (75 kW) | |
| D240 SD4 4x4 (177 kW) | | 2.0 TDI RWD (90/103/130 kW) | |
| P400 I6 MHEV 4x4 (294 kW) | | 2.0 TDI AWD (103/130 kW) | |
| DEFENDER Van (L663) 02/20 # | | TGE Autobus/Autocar | |
| 2.0 P300 Si4 4x4 (221 kW) | | 02/17 # | |
| 3.0 P400 I6 MHEV 4x4 (294 kW) | | 2.0 TDI (75 kW) | |
| 2.0 D200 SD4 4x4 (147 kW) | | 2.0 TDI AWD (103/130 kW) | |
| 2.0 D240 SD4 4x4 (177 kW) | | 2.0 TDI RWD (90 kW) | |
| | | MARTIN MOTORS | |
| | | CEO | |
| | | 01/07 # | |
| | | 2.4 LPG (93 kW) | |
| | | 2.4 LPG 4x4 (93 kW) | |

SILVER *dynamic* AGM - 595 901 085 J38 2

| | | | |
|---------------------------|---------------|--------------------------------|---------------|
| MASERATI | | MERCEDES-BENZ | |
| GHIBLI III (M157) | 08/13 # | CLASSE C (W202) | 03/93 # 05/00 |
| 3.0 (243 kW) | | C 220 D (70 kW) | |
| 3.0 S Q4 (301/316 kW) | | CLASSE C T-Model (S202) | 06/96 # 03/01 |
| 3.0 D (202/184 kW) | | C 180 T (95 kW) | |
| 3.0 S (301/316 kW) | | CLASSE C (W203) | 05/00 # 12/07 |
| GRANCABRIO | 03/10 # | C 180 (95 kW) | |
| 4.7 (324 kW) | | C 32 AMG Kompressor (260 kW) | |
| LEVANTE SUV (M161) | 06/16 # | CLASSE C T-Model (S203) | 03/01 # 08/07 |
| 3.0 Q4 (257 kW) | | C 32 AMG Kompressor (260 kW) | |
| 3.0 S Q4 (316 kW) | | C 200 CDI (85/75/90 kW) | |
| 3.0 D Q4 (184/202 kW) | | CLASSE C Coupé (CL203) | 03/01 # 06/11 |
| 3.8 GTS Q4 (390 kW) | | C 180 Kompressor (105 kW) | |
| 3.8 Trofeo Q4 (427 kW) | | CLASSE C (W204) | 01/07 # 01/15 |
| QUATTROPORTE V | 03/04 # | C 250 CGI (150 kW) | |
| 4.2 (295 kW) | | C 180 CDI (88 kW) | |
| 4.7 S (317 kW) | | C 200 CDI (100/100 kW) | |
| 4.7 GT S (323/331 kW) | | C 250 CDI 4-matic (150 kW) | |
| QUATTROPORTE VI | 11/12 # | C 300 CDI 4-matic (170 kW) | |
| 3.0 (243 kW) | | C 350 (225/200 kW) | |
| 3.0 S Q4 (302/301/316 kW) | | C 350 4-matic (225/200 kW) | |
| 3.0 D (202/184 kW) | | C 350 CDI (195/165/170 kW) | |
| 3.8 GT S (390 kW) | | C 63 AMG (358/336/373 kW) | |
| 3.0 S (316 kW) | | C 220 CDI (125/125/120/120 kW) | |
| 3.0 S (301 kW) | | C 320 CDI (165 kW) | |
| MAXUS | | C 320 CDI 4-matic (165 kW) | |
| DELIVER 9 Camionnette | 07/20 # | C 350 CGI (215 kW) | |
| 2.0 D (120 kW) | | C 250 CDI (150 kW) | |
| MAYBACH | | C 350 CDI 4-matic (165/170 kW) | |
| 57 (W240) | 09/02 # 12/12 | C 63 AMG DR 520 (383 kW) | |
| 5.5 (405 kW) | | C 220 CDI 4-matic (125 kW) | |
| 5.5 V12 (405 kW) | | CLASSE C T-Model (S204) | 08/07 # 08/14 |
| 6.0 (471/463 kW) | | C 200 CGI (135 kW) | |
| S 6.0 (450 kW) | | C 63 AMG (358/336/373/383 kW) | |
| 62 (V240) | 09/02 # 12/12 | C 350 (200 kW) | |
| 5.5 (405 kW) | | C 200 CDI (100 kW) | |
| S 6.0 (450 kW) | | C 220 CDI (125/125/120/120 kW) | |
| 6.0 S (463 kW) | | C 320 CDI (165 kW) | |
| MERCEDES-BENZ | | C 320 CDI 4-matic (165 kW) | |
| CLASSE C (W202) | 03/93 # 05/00 | C 350 CDI 4-matic (170/165 kW) | |
| C 36 AMG (206 kW) | | C 250 CDI (150 kW) | |
| | | C 350 CDI (165 kW) | |

SILVER *dynamic* AGM - 595 901 085 J38 2

| MERCEDES-BENZ | | MERCEDES-BENZ | |
|-----------------------------------|---------------|--------------------------------------|---------------|
| CLASSE C T-Model (S204) | 08/07 # 08/14 | CLS (C219) | 10/04 # 02/11 |
| C 220 CDI 4-matic (125 kW) | | CLS 280 (170 kW) | |
| C 300 CDI 4-matic (170 kW) | | CLS 350 CGI (215 kW) | |
| CLASSE C Coupé (C204) | 01/11 # | CLS 350 (200/215 kW) | |
| C 63 AMG (336 kW) | | CLS 500 (225/285 kW) | |
| CLASSE C (W205) | 07/13 # | CLS 55 AMG (350 kW) | |
| C 300 (180 kW) | | CLS 320 CDI (165/155 kW) | |
| AMG C 63 (350 kW) | | CLS 63 AMG (378 kW) | |
| AMG C 63 S (375 kW) | | CLS 300 (170 kW) | |
| CLASSE C T-Model (S205) | 09/14 # | CLS 350 CDI (165/200 kW) | |
| C 300 e (155 kW) | | CLS (C218) | 01/11 # 12/17 |
| AMG C 63 (350 kW) | | CLS 350 (225 kW) | |
| C 300 BlueTEC Hybrid / h (150 kW) | | CLS 250 CDI / BlueTEC / d (150 kW) | |
| AMG C 63 S (375 kW) | | CLS 350 CDI / d (195 kW) | |
| CLK (C208) | 06/97 # 12/03 | CLS 63 AMG (386/410/430 kW) | |
| CLK 430 (205 kW) | | CLS 500 (300 kW) | |
| CLK 55 AMG (255 kW) | | CLS 500 4-matic (300 kW) | |
| CLK Décapotable (A208) | 03/98 # 03/02 | CLS 350 CDI / d 4-matic (195 kW) | |
| CLK 430 (205 kW) | | CLS 63 AMG 4-matic (410/430 kW) | |
| CLK 55 AMG (255 kW) | | CLS 350 BlueTEC / d (185/190 kW) | |
| CLK (C209) | 05/02 # 03/10 | CLS 350 BlueTEC / d 4-matic (185 kW) | |
| CLK 280 (170 kW) | | CLS 220 BlueTEC / d (120/125/130 kW) | |
| CLK 500 (225/285 kW) | | CLS 250 BlueTEC / d 4-matic (150 kW) | |
| CLK 320 (160 kW) | | CLS 400 (245/245 kW) | |
| CLK 55 AMG (270 kW) | | CLS 400 4-matic (245/245 kW) | |
| CLK 270 CDI (125/120 kW) | | CLS 350 d 4-matic (190 kW) | |
| CLK DTM AMG (428 kW) | | CLS Shooting Brake (X218) | 10/12 # 12/17 |
| CLK 350 (200 kW) | | CLS 350 (225 kW) | |
| CLK 220 CDI (110/100 kW) | | CLS 400 (245/245 kW) | |
| CLK 320 CDI (165 kW) | | CLS 400 4-matic (245/245 kW) | |
| CLK 63 AMG (354/373 kW) | | CLS 500 (300 kW) | |
| CLK Décapotable (A209) | 06/02 # 03/10 | CLS 500 4-matic (300 kW) | |
| CLK 280 (170 kW) | | CLS 63 AMG (386/410/430 kW) | |
| CLK 350 (200 kW) | | CLS 250 CDI / BlueTEC / d (150 kW) | |
| CLK 320 (160 kW) | | CLS 350 CDI / d (195 kW) | |
| CLK 500 (225/285 kW) | | | |
| CLK 55 AMG (270 kW) | | | |
| CLK 63 AMG (354 kW) | | | |
| CLK 320 CDI (165 kW) | | | |
| CLK AMG DTM (428 kW) | | | |

SILVER *dynamic* AGM - 595 901 085 J38 2

| | | | |
|--------------------------------------|---------------|--------------------------------|---------------|
| MERCEDES-BENZ | | MERCEDES-BENZ | |
| CLS Shooting Brake (X218) | 10/12 # 12/17 | CLASSE E (W211) | 03/02 # 03/09 |
| CLS 350 CDI / d 4-matic (195 kW) | | E 320 (165 kW) | |
| CLS 63 AMG 4-matic (410/430 kW) | | E 55 AMG Kompressor (350 kW) | |
| CLS 220 BlueTEC / d (120/125/130 kW) | | E 320 4-matic (165 kW) | |
| CLS 250 BlueTEC / d 4-matic (150 kW) | | E 500 4-matic (225/285 kW) | |
| CLS 350 BlueTEC / d (190 kW) | | E 240 (130 kW) | |
| CLS 350 BlueTEC / d 4-matic (185 kW) | | E 500 (225/285 kW) | |
| CLS 350 d 4-matic (190 kW) | | E 240 4-matic (130 kW) | |
| CLS 350 BlueTEC / d (185 kW) | | E 270 CDI (120 kW) | |
| CLS (C257) | 12/17 # | E 220 CDI (120 kW) | |
| CLS 220 d (143 kW) | | E 200 CDI (75/90/100 kW) | |
| CLS 350 d 4-matic (210/183 kW) | | E 320 CDI (150/165 kW) | |
| CLS 400 d 4-matic (250 kW) | | E 400 CDI (191 kW) | |
| CLS 300 d (180 kW) | | E 200 NGT (120 kW) | |
| CLS 350 d (210 kW) | | E 280 CDI (130/140 kW) | |
| 123 Coupé (C123) | 03/77 # 12/85 | E 280 (170 kW) | |
| 300 C Turbo-D (92 kW) | | E 350 (200 kW) | |
| 124 A trois volumes (W124) | 12/84 # 08/93 | E 280 CDI 4-matic (140 kW) | |
| 500 E AMG 6.0 (275 kW) | | E 420 CDI (231 kW) | |
| 124 T-Model (S124) | 09/85 # 12/93 | E 280 4-matic (170 kW) | |
| 200 T D (53 kW) | | E 350 4-matic (200 kW) | |
| 250 TD Turbo (93 kW) | | E 320 CDI 4-matic (165 kW) | |
| CLASSE E (W210) | 06/95 # 08/03 | E 63 AMG (378 kW) | |
| E 430 (205 kW) | | E 350 CGI (215 kW) | |
| E 55 AMG (260 kW) | | E 300 BlueTEC (155 kW) | |
| E 430 4-matic (205 kW) | | E 230 (150 kW) | |
| E 250 D (83 kW) | | CLASSE E T-Model (S211) | 02/03 # 07/09 |
| CLASSE E T-Model (S210) | 06/96 # 03/03 | E 200 T Kompressor (120 kW) | |
| E 280 T (150 kW) | | E 240 T 4-matic (130 kW) | |
| E 430 T (205 kW) | | E 320 T (165 kW) | |
| E 280 T 4-matic (150 kW) | | E 320 T 4-matic (165 kW) | |
| E 320 T 4-matic (165 kW) | | E 240 T (130 kW) | |
| E 320 T (165 kW) | | E 220 T CDI (120 kW) | |
| E 430 T 4-matic (205 kW) | | E 270 T CDI (130/120 kW) | |
| E 55 T AMG (260 kW) | | E 320 T CDI (150/165/155 kW) | |
| CLASSE E (W211) | 03/02 # 03/09 | E 55 T AMG Kompressor (350 kW) | |
| E 200 Kompressor (120 kW) | | E 500 T (225/285 kW) | |
| | | E 500 T 4-matic (225/285 kW) | |
| | | E 280 T CDI (130/140 kW) | |
| | | E 280 T (170 kW) | |
| | | E 350 T (200 kW) | |

SILVER *dynamic* AGM - 595 901 085 J38 2

| MERCEDES-BENZ | | MERCEDES-BENZ | |
|--|----------------------|--|----------------------|
| CLASSE E T-Model (S211) | 02/03 # 07/09 | CLASSE E (W212) | 01/09 # 12/16 |
| E 280 T CDI 4-matic (140 kW) | | E 350 CDI 4-matic (195/170 kW) | |
| E 280 T 4-matic (170 kW) | | E 500 (300/285 kW) | |
| E 320 T CDI 4-matic (165 kW) | | E 500 4-matic (300/285 kW) | |
| E 350 T 4-matic (200 kW) | | E 350 4-matic (225/200 kW) | |
| E 200 Kompressor (135 kW) | | E 220 CDI / BlueTEC (125 kW) | |
| E 63 AMG (378 kW) | | E 250 CDI / BlueTEC (150 kW) | |
| E 220 CDI (100 kW) | | E 200 CDI / BlueTEC (100 kW) | |
| E 200 CDI (100 kW) | | E 400 4-matic (245/245 kW) | |
| 350 CGI (215 kW) | | E 350 BlueTEC 4-matic (185/190 kW) | |
| E 230 T (150 kW) | | | |
| CLASSE E Camion | 03/03 # 07/09 | CLASSE E T-Model (S212) | 08/09 # 12/16 |
| plate-forme/Châssis (VF211) | | E 200 (135 kW) | |
| E 220 CDI (110 kW) | | E 350 (200/225 kW) | |
| E 270 CDI (120/130 kW) | | E 63 AMG (386/386/410/430 kW) | |
| E 280 CDI (140 kW) | | E 350 CDI (195/170 kW) | |
| | | E 350 CDI 4-matic (195/170 kW) | |
| CLASSE E (W212) | 01/09 # 12/16 | E 500 4-matic (300 kW) | |
| E 180 (115 kW) | | E 500 (300/285 kW) | |
| E 200 NGT (120/115 kW) | | E 350 4-matic (225/200 kW) | |
| E 200 (135 kW) | | E 250 CDI / BlueTEC 4-matic (150 kW) | |
| E 250 CGI (150 kW) | | E 300 4-matic (185 kW) | |
| E 200 CGI (135 kW) | | E 300 (185/170 kW) | |
| E 300 (170/185 kW) | | E 200 CDI / BlueTEC (100 kW) | |
| E 250 CDI / BlueTEC 4-matic (150 kW) | | E 220 CDI / BlueTEC (125 kW) | |
| E 300 4-matic (185 kW) | | E 250 CDI / BlueTEC (150 kW) | |
| E 350 CGI (215 kW) | | E 200 CGI (135 kW) | |
| E 250 (155 kW) | | E 250 CGI (150 kW) | |
| E 350 BlueTEC (155/185/190 kW) | | E 350 CGI (215 kW) | |
| E 300 CDI (150 kW) | | E 350 BlueTEC (155/185/190 kW) | |
| E 350 (200/225 kW) | | | |
| E 300 Hybrid / BlueTEC Hybrid (150 kW) | | E 220 CDI (120 kW) | |
| E 63 AMG (410/386/386/430 kW) | | E 300 CDI (150 kW) | |
| E 220 CDI (120 kW) | | E 300 CDI / BlueTEC (170 kW) | |
| E 63 AMG 4-matic (430/410 kW) | | E 63 AMG 4-matic (430/410 kW) | |
| E 220 BlueTEC (130 kW) | | E 300 Hybrid / BlueTEC Hybrid (150 kW) | |
| E 400 (245/245 kW) | | E 400 (245/245 kW) | |
| E 220 BlueTEC 4-matic (125 kW) | | E 400 4-matic (245/245 kW) | |
| E 300 CDI / BlueTEC (170 kW) | | E 350 BlueTEC 4-matic (185/190 kW) | |
| E 350 CDI (195/170 kW) | | E 250 (155 kW) | |

SILVER *dynamic* AGM - 595 901 085 J38 2

| | | | |
|------------------------------------|----------------------|------------------------------------|----------------|
| MERCEDES-BENZ | | MERCEDES-BENZ | |
| CLASSE E T-Model (S212) | 08/09 # 12/16 | CLASSE E (W213) | 01/16 # |
| E 220 BlueTEC 4-matic (125 kW) | | E 250 (155 kW) | |
| E 220 BlueTEC (130 kW) | | E 200 d (110/118 kW) | |
| CLASSE E Coupé (C207) | 01/09 # 12/16 | E 400 4-matic (245/245 kW) | |
| E 200 (135 kW) | | E 220 d 4-matic (143/120 kW) | |
| E 350 CDI (195 kW) | | AMG E 63 4-matic+ (420 kW) | |
| E 300 (185 kW) | | AMG E 63 S 4-matic+ (450 kW) | |
| E 350 (225/200 kW) | | E 300 d (180 kW) | |
| E 500 (300/285 kW) | | E 400 d 4-matic (250 kW) | |
| E 250 CGI (150 kW) | | E 450 4-matic (270 kW) | |
| E 200 CGI (135 kW) | | E 300 (180 kW) | |
| E 400 (245/245 kW) | | E 350 d 4-matic (190 kW) | |
| E 250 (155 kW) | | E 400 d (250 kW) | |
| E 350 BlueTEC (185 kW) | | E 300 de 4-matic (143 kW) | |
| E 350 4-matic (225 kW) | | CLASSE E T-Model (S213) | 07/16 # |
| E 220 BlueTEC (130 kW) | | E 200 (135 kW) | |
| E 350 BlueTEC / d (190 kW) | | E 250 (155 kW) | |
| E 320 (200 kW) | | E 200 4-matic (135 kW) | |
| E 220 CDI (120 kW) | | E 220 d (143/120 kW) | |
| CLASSE E Décapotable (A207) | 01/10 # 12/16 | E 400 4-matic (245 kW) | |
| E 200 CGI (135 kW) | | AMG E 43 4-matic (295 kW) | |
| E 550 (299 kW) | | E 200 d (110/118 kW) | |
| E 350 (225 kW) | | E 350 d (190/210 kW) | |
| E 350 CDI (195/170 kW) | | E 220 d 4-matic (143 kW) | |
| E 300 (185 kW) | | AMG E 63 4-matic+ (420 kW) | |
| E 500 (300/285 kW) | | AMG E 63 S 4-matic+ (450 kW) | |
| E 250 CGI (150 kW) | | E 350 d 4-matic (190 kW) | |
| E 350 CGI (215 kW) | | E 300 d (180 kW) | |
| E 350 BlueTEC (185 kW) | | E 400 d 4-matic (250 kW) | |
| E 200 (135 kW) | | E 450 4-matic (270 kW) | |
| E 250 (155 kW) | | E 400 d (250 kW) | |
| E 400 (245/245 kW) | | CLASSE E All-Terrain (S213) | 01/17 # |
| E 220 BlueTEC (130 kW) | | E 220 d 4-matic (143 kW) | |
| E 350 BlueTEC/ d (190 kW) | | E 400 d 4-matic (250 kW) | |
| E 320 (200 kW) | | CLASSE E Coupé (C238) | 12/16 # |
| CLASSE E (W213) | 01/16 # | E 200 (135 kW) | |
| E 180 (115 kW) | | E 220 d (143/120 kW) | |
| E 220 d (120/143 kW) | | E 350 d 4-matic (190 kW) | |
| AMG E 43 4-matic (295 kW) | | E 400 d 4-matic (250 kW) | |
| E 200 (135/145 kW) | | E 450 4-matic (270 kW) | |
| E 350 d (190/210 kW) | | E 300 (180 kW) | |
| E 200 4-matic (135 kW) | | E 400 4-matic (245 kW) | |

SILVER *dynamic* AGM - 595 901 085 J38 2

| | | | |
|------------------------------------|----------------------|--------------------------------|----------------------|
| MERCEDES-BENZ | | MERCEDES-BENZ | |
| CLASSE E Coupé (C238) | 12/16 # | CLASSE S (W220) | 09/98 # 08/05 |
| E 200 4-matic (135 kW) | | S 500 4-matic (225 kW) | |
| E 300 d (180 kW) | | S 55 AMG Kompressor (368 kW) | |
| E 220 d 4-matic (143 kW) | | S 350 4-matic (180 kW) | |
| E 350 d (210 kW) | | S 430 (205 kW) | |
| CLASSE E Décapotable (A238) | 06/17 # | S 500 (225/220 kW) | |
| E 200 (135 kW) | | S 320 CDI (145/150 kW) | |
| E 350 d 4-matic (190 kW) | | S 400 CDI (184/191 kW) | |
| E 300 d (180 kW) | | S 65 AMG (450 kW) | |
| E 400 d 4-matic (250 kW) | | CLASSE S Coupé (C215) | 03/99 # 12/06 |
| E 450 4-matic (270 kW) | | CL 500 (225 kW) | |
| E 220 d (143/120 kW) | | CL 63 AMG (326 kW) | |
| E 300 (180 kW) | | CL 600 (368/270 kW) | |
| E 400 4-matic (245 kW) | | CL 55 AMG Kompressor (368 kW) | |
| E 200 4-matic (135 kW) | | CL 55 AMG (265 kW) | |
| E 220 d 4-matic (143 kW) | | CL 65 AMG (450 kW) | |
| E 350 d (210 kW) | | CLASSE S (W221) | 09/05 # 12/13 |
| CLASSE S (W140) | 02/91 # 10/98 | S 280 (170 kW) | |
| S 280 (142 kW) | | S 65 AMG (463/450 kW) | |
| S 420 (205 kW) | | S 400 Hybrid (205 kW) | |
| 600 SE, SEL (300 kW) | | S 63 AMG (420/400/386 kW) | |
| 300 SE, SEL/S320 (170 kW) | | S 250 CDI (150 kW) | |
| 300 SE 2.8 (145 kW) | | S 350 BlueTec (190 kW) | |
| S 350 Turbo-D (110 kW) | | S 350 BlueTEC 4-matic (190 kW) | |
| 400 SE, SEL/S420 (210 kW) | | S 350 CGI (225 kW) | |
| S 300 Turbo-D (130 kW) | | S 350 CGI 4-matic (225 kW) | |
| S 500 (235 kW) | | S 500 CGI (320 kW) | |
| S 600 (290 kW) | | S 500 CGI 4-matic (320 kW) | |
| 500 SE, SEL (240 kW) | | S 350 CDI (173/155 kW) | |
| CLASSE S Coupé (C140) | 07/92 # 12/99 | S 350 (200 kW) | |
| SEC/CL 420 (205 kW) | | S 500 (285 kW) | |
| CL 500 (225 kW) | | S 320 CDI (173/155 kW) | |
| SEC/CL 600 (290 kW) | | S 450 (250 kW) | |
| 500 SEC / CL 500 (235 kW) | | S 450 4-matic (250 kW) | |
| CLASSE S (W220) | 09/98 # 08/05 | S 600 (380 kW) | |
| S 280 (150 kW) | | S 320 CDI 4-matic (173 kW) | |
| S 320 (165 kW) | | S 420 CDI (235 kW) | |
| S 55 AMG (265 kW) | | S 500 4-matic (285 kW) | |
| S 63 AMG (326 kW) | | S 350 4-matic (200 kW) | |
| S 600 (368/270 kW) | | S 300 (170 kW) | |
| S 430 4-matic (205 kW) | | S 350 CDI 4-matic (155/173 kW) | |
| S 350 (180 kW) | | | |

SILVER *dynamic* AGM - 595 901 085 J38 2

| | | | |
|--|----------------------|------------------------------------|----------------------|
| MERCEDES-BENZ | | MERCEDES-BENZ | |
| CLASSE S (W221) | 09/05 # 12/13 | CLASSE S (W222, V222, X222) | 05/13 # |
| S 450 CDI (235 kW) | | S 450 Maybach 4-matic (270 kW) | |
| CLASSE S Coupé (C216) | 05/06 # 12/13 | S 500 Hybrid / e (325 kW) | |
| CL 500 (285 kW) | | S 560 e (270 kW) | |
| CL 500 4-matic (320/285 kW) | | CLASSE S Coupé (C217) | 04/14 # |
| CL 63 AMG (400/420/386 kW) | | S 450 4-matic (270 kW) | |
| CL 65 AMG (463/450 kW) | | S 500 4-matic (335 kW) | |
| CL 600 (380 kW) | | S 500 (335 kW) | |
| CLASSE S (W222, V222, X222) | 05/13 # | CLASSE S Décapotable (A217) | 12/15 # |
| S 320 (200 kW) | | S 500 (335 kW) | |
| S 63 AMG 4-matic (430 kW) | | AMG S 63 4-matic (430 kW) | |
| S 300 BlueTEC Hybrid / h (150/170 kW) | | AMG S 65 (463 kW) | |
| S 600 Maybach (390 kW) | | AMG S 63 (430 kW) | |
| S 560 Maybach (345 kW) | | SL (R198) | 05/57 # 02/63 |
| S 500 EQ Boost (320 kW) | | 300 SL (158 kW) | |
| S 500 4-matic (335/320 kW) | | SL (R107) | 05/71 # 12/89 |
| S 350 BlueTEC / d (190 kW) | | 560 SL (169 kW) | |
| S 400 Hybrid / h (225 kW) | | SL (R129) | 03/89 # 09/04 |
| S 500 (335/320 kW) | | 280 (142 kW) | |
| S 350 BlueTEC / d 4-matic (190 kW) | | 60 AMG (280 kW) | |
| S 600 (390 kW) | | 500 SL (240 kW) | |
| S 65 AMG (463 kW) | | 500 (235/225 kW) | |
| S 350 BlueTEC 4-matic (185 kW) | | 320 (170/165 kW) | |
| S 400 4-matic (245 kW) | | 55 AMG (260 kW) | |
| S 500 Maybach (335 kW) | | 600 (290 kW) | |
| S 500 Maybach 4-matic (335 kW) | | 300 SL (140 kW) | |
| S 400 (245 kW) | | 300 SL-24 (170 kW) | |
| S 350 d 4-matic (210/183 kW) | | SL 73 AMG (386 kW) | |
| S 400 d 4-matic (250 kW) | | 600 SL (300 kW) | |
| S 560 4-matic (345 kW) | | SL (R230) | 10/01 # 01/12 |
| AMG S 63 4-matic+ (450 kW) | | 63 AMG (386 kW) | |
| S 560 Maybach 4-matic (345 kW) | | 65 AMG (450 kW) | |
| S 450 4-matic (270 kW) | | SL (R231) | 12/11 # |
| S 450 (270 kW) | | 350 (225 kW) | |
| S 400 d (250 kW) | | 63 AMG (395/415/430/420 kW) | |
| S 350 d (210 kW) | | 500 (320/335 kW) | |
| S 650 Maybach (463 kW) | | 65 AMG (463 kW) | |
| S 560 (345 kW) | | 400 (245/270 kW) | |
| S 450 EQ Boost (270 kW) | | SLR (R199) | 04/04 # |
| S 450 EQ Boost 4-matic (270 kW) | | 5.4 722 Edition (478 kW) | |

SILVER *dynamic* AGM - 595 901 085 J38 2

| | | | |
|---------------------------------------|---------------|---|---------------|
| MERCEDES-BENZ | | MERCEDES-BENZ | |
| SLR Roadster (R199) | 10/06 # | CLASSE M (W166) | 06/11 # 12/15 |
| 5.4 (478 kW) | | ML 350 BlueTEC 4-matic (190 kW) | |
| SLS AMG (C197) | 03/10 # | ML 350 4-matic (225 kW) | |
| Electric Drive (552 kW) | | ML 350 CDI 4-matic (170 kW) | |
| 6.2 (420/464 kW) | | ML 63 AMG 4-matic (410/386 kW) | |
| 6.2 GT (435 kW) | | ML 400 4-matic (245 kW) | |
| SLS AMG Roadster (R197) | 06/11 # | ML 350 (225 kW) | |
| 6.2 (420 kW) | | GLE (W166) | 04/15 # 10/18 |
| 6.2 GT (435 kW) | | 320 4-matic (200 kW) | |
| AMG GT (C190) | 10/14 # | 500 4-matic (320/335 kW) | |
| GT (340 kW) | | 400 4-matic (245 kW) | |
| GT S (375 kW) | | 500 e 4-matic (325/245 kW) | |
| AMG GT (X290) | 07/18 # | AMG 63 4-matic (410/386 kW) | |
| 63 4-matic+ (430 kW) | | AMG 63 S 4-matic (430 kW) | |
| 63 S 4-matic+ (470 kW) | | 250 d (150 kW) | |
| CLASSE M (W163) | 02/98 # 07/05 | 250 d 4-matic (150 kW) | |
| ML 230 (110 kW) | | 350 d 4-matic (190 kW) | |
| ML 350 (180/173 kW) | | 450 AMG 4-matic (270 kW) | |
| ML 320 (160 kW) | | AMG 43 4-matic (270/287 kW) | |
| ML 500 (215 kW) | | 350 d 4-matic (183 kW) | |
| ML 55 AMG (255 kW) | | GLE (V167) | 10/18 # |
| ML 430 (200 kW) | | GLE 450 EQ Boost 4-matic (270 kW) | |
| ML 270 CDI (120 kW) | | AMG GLE 53 EQ Boost 4-matic+ (320 kW) | |
| ML 400 CDI (184 kW) | | GLE 350 d 4-matic (200 kW) | |
| CLASSE M (W164) | 02/05 # 12/12 | GLE 300 d 4-matic (180 kW) | |
| ML 350 4-matic (200 kW) | | GLE 400 d 4-matic (243 kW) | |
| ML 500 4-matic (225/285 kW) | | GLE 580 EQ Boost 4-matic (360 kW) | |
| ML 280 CDI 4-matic (140 kW) | | GLE 350 de 4-matic (235/143/225 kW) | |
| ML 320 CDI 4-matic (165/155 kW) | | AMG GLE 63 EQ Boost 4-matic+ (420 kW) | |
| ML 63 AMG 4-matic (375 kW) | | AMG GLE 63 S EQ Boost 4-matic+ (450 kW) | |
| ML 420 CDI 4-matic (225 kW) | | GLE Coupe (C292) | 03/15 # 10/19 |
| ML 300 CDI 4-matic (140/150 kW) | | 400 4-matic (245 kW) | |
| ML 350 CDI 4-matic (165/155/170 kW) | | 350 d 4-matic (190 kW) | |
| ML 450 CDI 4-matic (225 kW) | | 450 AMG 4-matic (270 kW) | |
| CLASSE M (W166) | 06/11 # 12/15 | AMG 63 4-matic (410 kW) | |
| ML 300 4-matic (183 kW) | | | |
| ML 500 4-matic (300 kW) | | | |
| ML 250 CDI / BlueTEC 4-matic (150 kW) | | | |

SILVER *dynamic* AGM - 595 901 085 J38 2

| | | | |
|---|----------------------|-------------------------------|----------------------|
| MERCEDES-BENZ | | MERCEDES-BENZ | |
| GLE Coupe (C292) | 03/15 # 10/19 | CLASSE G (W461) | 09/89 # |
| AMG 63 S 4-matic (430 kW) | | G 290 TD (88 kW) | |
| 500 4-matic (335 kW) | | 250 GD (68 kW) | |
| AMG 43 4-matic (270/287 kW) | | G 270 CDI (115 kW) | |
| 350 d 4-matic (183 kW) | | CLASSE G (W463) | 09/89 # |
| GLE Coupe (C167) | 11/19 # | 300 GE (125 kW) | |
| AMG GLE 53 EQ Boost 4-matic+ (320 kW) | | G 320 (155/158 kW) | |
| AMG GLE 63 EQ Boost 4-matic+ (420/450 kW) | | G 55 AMG (260/373/350/368 kW) | |
| GLE 350 de 4-matic (143/235 kW) | | 350 Turbo GD (100 kW) | |
| GLE 350 d 4-matic (200 kW) | | G 36 AMG (200 kW) | |
| GLE 400 d 4-matic (243 kW) | | 300 GD (83 kW) | |
| CLASSE R (W251, V251) | 08/05 # 10/17 | 500 GE (177 kW) | |
| R 280 (170 kW) | | G 300 TD (130 kW) | |
| R 350 CDI 4-matic (195/165/155 kW) | | 250 GD (69 kW) | |
| R 350 CGI 4-matic (225 kW) | | G 500 (218/285/310 kW) | |
| R 350 4-matic (200 kW) | | G 350 CDI (155/165 kW) | |
| R 500 4-matic (225/285 kW) | | G 400 CDI (184 kW) | |
| R 320 CDI 4-matic (165/155 kW) | | G 270 CDI (115 kW) | |
| R 280 CDI 4-matic (140 kW) | | G 320 CDI (165/100 kW) | |
| R 63 AMG 4-matic (375 kW) | | G 63 AMG (400 kW) | |
| R 350 (200 kW) | | G 65 AMG (450 kW) | |
| R 280 CDI (140 kW) | | G 63 AMG 6x6 (400 kW) | |
| R 280 4-matic (170 kW) | | G 350 d (180 kW) | |
| R 300 CDI (140 kW) | | AMG G 63 (420 kW) | |
| R 300 CDI 4-matic (140 kW) | | AMG G 65 (463 kW) | |
| R 300 (170 kW) | | G 500 (215 kW) | |
| R 300 4-matic (170 kW) | | CLASSE G Cabrio (W463) | 09/89 # |
| CLASSE G (W460) | 03/79 # 08/93 | G 320 (158 kW) | |
| 230 GE (90 kW) | | G 300 TD (130 kW) | |
| 300 GD (83/65 kW) | | 350 G Turbo-D (100 kW) | |
| 280 GE (110/115 kW) | | 300 GD (83 kW) | |
| 240 GD (53 kW) | | G 500 (218/285 kW) | |
| 250 GD (62/68 kW) | | G 350 CDI (155/165 kW) | |
| CLASSE G (W461) | 09/89 # | G 400 CDI (184 kW) | |
| 230 GE (90 kW) | | G 320 CDI (165/100 kW) | |
| 290 GD/G 290 D (70 kW) | | CLASSE G (W463) | 01/18 # |
| G 280 CDI (135 kW) | | G 500 (310 kW) | |
| G 300 CDI (135 kW) | | AMG G 63 (430 kW) | |
| | | G 350 d 4-matic (210 kW) | |
| | | G 400 d 4-matic (243 kW) | |
| | | CLASSE GL (X164) | 09/06 # 12/12 |
| | | GL 450 4-matic (250 kW) | |

SILVER *dynamic* AGM - 595 901 085 J38 2

| | | | |
|---|----------------------|------------------------------------|----------------------|
| MERCEDES-BENZ | | MERCEDES-BENZ | |
| CLASSE GL (X164) | 09/06 # 12/12 | CLASSE V (638/2) | 02/96 # 07/03 |
| GL 350 CDI 4-matic (195/165 kW) | | V 230 (105 kW) | |
| GL 500 4-matic (285 kW) | | V 280 (128 kW) | |
| GL 420 CDI 4-matic (225 kW) | | V 230 TD (72 kW) | |
| GL 320 CDI 4-matic (165 kW) | | CLASSE V (W447) | 03/14 # |
| GL 450 CDI 4-matic (225 kW) | | V 250 (155 kW) | |
| GL 320 CDI / 350 BlueTEC 4-matic (155 kW) | | V 220 CDI / d 4-matic (120/120 kW) | |
| CLASSE GL (X166) | 07/12 # 12/15 | V 200 CDI / d (100 kW) | |
| GL 400 4-matic (245 kW) | | V 250 BlueTEC / d (140 kW) | |
| GL 350 CDI / BlueTec 4-matic (190 kW) | | V 220 CDI / d (120/120 kW) | |
| GL 500 4-matic (320/310/300 kW) | | V 250 BlueTEC / d 4-matic (140 kW) | |
| GL 63 AMG 4-matic (410/400 kW) | | V 200 CDI / d 4-matic (100 kW) | |
| GL 350 CDI / BlueTEC 4-matic (183 kW) | | V 250 CDI / d (140 kW) | |
| CLASSE GLK (X204) | 06/08 # 12/15 | V 250 CDI / d 4-matic (140 kW) | |
| 200 CDI (100 kW) | | V 300 CDI / d (176 kW) | |
| 220 CDI (120 kW) | | V 300 CDI / d 4-matic (176 kW) | |
| 220 CDI 4-matic (120 kW) | | VIANO (W639) | 09/03 # |
| GLC (X253) | 06/15 # | 3.2 (140 kW) | |
| AMG 43 4-matic (287 kW) | | CDI 2.2 4-matic (120/100/110 kW) | |
| GLS (X166) | 11/15 # 04/19 | CDI 2.0 (80/85 kW) | |
| 400 4-matic (245 kW) | | 3.7 (170/165 kW) | |
| 350 d 4-matic (190/183 kW) | | CDI 2.0 4-matic (80/85 kW) | |
| 500 4-matic (335 kW) | | 3.5 (190 kW) | |
| AMG 63 4-matic (430 kW) | | CDI 2.2 (100/120/110 kW) | |
| GLS (X167) | 04/19 # | CDI 3.0 (165/150 kW) | |
| 450 EQ Boost 4-matic (270 kW) | | VITO Autobus/Autocar (W638) | 02/96 # 07/03 |
| AMG 63 4Matic+ EQ Boost 4-matic+ (450 kW) | | 108 D 2.3 (58 kW) | |
| 580 EQ Boost 4-matic (360 kW) | | VITO Camionnette (W638) | 03/97 # 07/03 |
| Maybach 600 EQ Boost 4-matic (410 kW) | | 108 D 2.3 (58 kW) | |
| 350 d 4-matic (210 kW) | | 110 D 2.3 (72 kW) | |
| 400 d 4-matic (243 kW) | | VITO Autobus/Autocar (W639) | 09/03 # |
| HENSCHHEL 2-t | 02/73 # 12/77 | E-CELL (60 kW) | |
| 207 1.8 (51 kW) | | 110 CDI (70 kW) | |
| 206 D 2.2 (44 kW) | | 113 CDI (100 kW) | |
| | | 116 CDI (120 kW) | |
| | | 122 CDI (165 kW) | |
| | | 116 CDI 4x4 (120 kW) | |
| | | 111 CDI (80 kW) | |
| | | 115 CDI (110 kW) | |

SILVER *dynamic* AGM - 595 901 085 J38 2

| | | |
|---|----------------|--|
| MERCEDES-BENZ | | |
| VITO Autobus/Autocar (W639) | 09/03 # | |
| 109 CDI (70 kW) | | |
| 109 CDI 4x4 (70 kW) | | |
| 120 CDI (150 kW) | | |
| 123 (165 kW) | | |
| VITO / MIXTO Camionnette (W639) | 08/03 # | |
| E-CELL (60 kW) | | |
| 110 CDI (70 kW) | | |
| 113 CDI (100 kW) | | |
| 116 CDI (120 kW) | | |
| 122 CDI (165 kW) | | |
| 115 CDI (110 kW) | | |
| 111 CDI (80 kW) | | |
| 120 CDI (150 kW) | | |
| 109 CDI (70 kW) | | |
| 116 CDI 4x4 (120 kW) | | |
| VITO Camionnette (W447) | 10/14 # | |
| 2.0 (155 kW) | | |
| 119 CDI (140 kW) | | |
| 114 CDI (100/100 kW) | | |
| 119 CDI 4x4 (140 kW) | | |
| 116 CDI (120 kW) | | |
| 116 CDI 4x4 (120 kW) | | |
| 110 CDI (75 kW) | | |
| 109 CDI (65 kW) | | |
| 114 CDI 4x4 (100/100 kW) | | |
| 114 CDI (100 kW) | | |
| 116 CDI (120 kW) | | |
| 119 CDI / BlueTEC (140 kW) | | |
| 111 CDI (84 kW) | | |
| 116 CDI 4x4 (120 kW) | | |
| 119 CDI / BlueTEC 4x4 (140 kW) | | |
| VITO Mixto (Double Cabin) (W447) | 10/14 # | |
| 109 CDI (65 kW) | | |
| 111 CDI (84 kW) | | |
| 114 CDI (100 kW) | | |
| 116 CDI (120 kW) | | |
| 119 BlueTEC (140 kW) | | |
| 119 BlueTEC 4-matic (140 kW) | | |
| 114 CDI 4-matic (100 kW) | | |
| MERCEDES-BENZ | | |
| VITO Mixto (Double Cabin) (W447) | 10/14 # | |
| 116 CDI 4-matic (120 kW) | | |
| 110 CDI (75 kW) | | |
| 114 CDI (100/100 kW) | | |
| 116 CDI 4-matic (120 kW) | | |
| 116 CDI (120 kW) | | |
| 119 CDI (140 kW) | | |
| 119 CDI 4-matic (140 kW) | | |
| 124 CDI (176 kW) | | |
| 124 CDI 4-matic (176 kW) | | |
| VITO Tourer (W447) | 10/14 # | |
| 2.0 (155 kW) | | |
| 110 CDI (75 kW) | | |
| 114 CDI (100 kW) | | |
| 124 CDI (176 kW) | | |
| 124 CDI 4-matic (176 kW) | | |
| 109 CDI / 109 BlueTEC (65 kW) | | |
| 111 CDI / 111 BlueTEC (84 kW) | | |
| 114 CDI / 114 BlueTEC (100 kW) | | |
| 116 CDI / 116 BlueTEC (120 kW) | | |
| 119 CDI / 119 BlueTEC (140 kW) | | |
| 119 CDI / 119 BlueTEC 4-matic (140 kW) | | |
| 114 CDI / 114 BlueTEC 4-matic (100 kW) | | |
| 116 CDI / 116 BlueTEC 4-matic (120 kW) | | |
| 114 CDI (100 kW) | | |
| 114 CDI 4-matic (100 kW) | | |
| 116 CDI (120 kW) | | |
| 116 CDI 4-matic (120 kW) | | |
| 119 CDI (140 kW) | | |
| 119 CDI 4-matic (140 kW) | | |
| MARCO POLO Camper (W447) | 03/15 # | |
| 160 CDI (65 kW) | | |
| 200 CDI (100 kW) | | |
| 200 CDI 4-matic (100 kW) | | |
| 220 CDI (120 kW) | | |
| 220 CDI 4-matic (120 kW) | | |
| 250 CDI (140 kW) | | |
| 250 CDI 4-matic (140 kW) | | |

SILVER *dynamic* AGM - 595 901 085 J38 2

| | |
|--|--|
| MERCEDES-BENZ | |
| MARCO POLO Camper (W447) 03/15 # | |
| 180 CDI (84 kW) | |
| 170 CDI (75 kW) | |
| 200 CDI (100/100 kW) | |
| 220 CDI (120 kW) | |
| 200 CDI 4-matic (100 kW) | |
| 220 CDI 4-matic (120 kW) | |
| 250 CDI (140 kW) | |
| 250 CDI 4-matic (140 kW) | |
| 300 CDI (176 kW) | |
| 300 CDI 4-matic (176 kW) | |
| SPRINTER 2-t Camionnette 01/95 # 05/06 (B901, B902) | |
| 208 D (60 kW) | |
| SPRINTER 2-t Camion 01/95 # 05/06 plate-forme/Châssis (B901, B902) | |
| 208 D (60 kW) | |
| SPRINTER 3-t Autobus/Autocar 01/95 # 05/12 (B903) | |
| 308 D (60 kW) | |
| 312 D 2.9 (90 kW) | |
| 312 D 2.9 4x4 (90 kW) | |
| 310 D (75 kW) | |
| SPRINTER 3-t Camionnette 01/95 # 05/12 (B903) | |
| 308 D 2.3 (60 kW) | |
| 310 D 2.9 (75 kW) | |
| 312 D 2.9 (90 kW) | |
| 312 D 2.9 4x4 (90 kW) | |
| SPRINTER 3-t Camion 01/95 # 05/12 plate-forme/Châssis (B903) | |
| 308 D 2.3 (60 kW) | |
| 310 D 2.9 (75 kW) | |
| 312 D 2.9 (90 kW) | |
| SPRINTER 4-t Camionnette 02/95 # 05/12 (B904) | |
| 410 D (75 kW) | |
| 410 D 4x4 (75 kW) | |
| 412 D (85/90 kW) | |
| 412 D 4x4 (85/90 kW) | |
| MERCEDES-BENZ | |
| SPRINTER 4-t Camion 02/95 # 05/12 plate-forme/Châssis (B904) | |
| 410 D (75 kW) | |
| 410 D 4x4 (75 kW) | |
| 412 D (85/90 kW) | |
| 412 D 4x4 (85/90 kW) | |
| SPRINTER 3-t Autobus/Autocar 06/06 # (B906) | |
| 211 CDI (84 kW) | |
| 213 CDI (95 kW) | |
| 214 CDI (105 kW) | |
| 216 CDI (120 kW) | |
| SPRINTER 3-t Camionnette 06/06 # (B906) | |
| 211 CDI (84 kW) | |
| 213 CDI (95/95 kW) | |
| 216 CDI (120 kW) | |
| 219 CDI / BlueTEC (140 kW) | |
| 214 CDI (105 kW) | |
| SPRINTER 3-t Camion 06/06 # plate-forme/Châssis (B906) | |
| 210 CDI (70 kW) | |
| 213 CDI (95/95 kW) | |
| 216 CDI (120 kW) | |
| 219 CDI / BlueTEC (140 kW) | |
| 214 CDI (105 kW) | |
| 211 CDI (84 kW) | |
| SPRINTER 3,5-t Autobus/Autocar 06/06 # (B906) | |
| 310 CDI (70 kW) | |
| 319 CDI / BlueTEC (140 kW) | |
| 313 CDI 4x4 (95 kW) | |
| 311 CDI (84 kW) | |
| 314 CDI (105 kW) | |
| 314 CDI 4x4 (105 kW) | |
| 313 CDI (95 kW) | |
| 319 CDI / BlueTEC 4x4 (140 kW) | |
| 316 CDI 4x4 (120 kW) | |
| 316 CDI (120 kW) | |
| SPRINTER 3,5-t Camionnette 06/06 # (B906) | |
| 310 CDI (70 kW) | |

SILVER *dynamic* AGM - 595 901 085 J38 2

| | | | |
|-----------------------------------|----------------|-------------------------------------|----------------|
| MERCEDES-BENZ | | MERCEDES-BENZ | |
| SPRINTER 3,5-t Camionnette | 06/06 # | SPRINTER 5-t Camionnette | 06/06 # |
| (B906) | | (B906) | |
| 319 CDI / BlueTEC 4x4 (140 kW) | | 511 CDI (80/84 kW) | |
| 313 CDI (95/95 kW) | | 519 CDI / BlueTEC (140 kW) | |
| 313 CDI 4x4 (95 kW) | | 516 CDI (120 kW) | |
| 316 CDI (120 kW) | | 513 CDI (95/95 kW) | |
| 319 CDI / BlueTEC (140 kW) | | 518 CDI 4x4 (135 kW) | |
| 316 CDI 4x4 (120 kW) | | 516 CDI 4x4 (120 kW) | |
| 314 CDI (105 kW) | | 511 CDI 4x4 (80 kW) | |
| 311 CDI (84 kW) | | 513 CDI 4x4 (95 kW) | |
| 314 CDI 4x4 (105 kW) | | 519 CDI / BlueTEC 4x4 (140 kW) | |
| SPRINTER 3,5-t Camion | 06/06 # | 514 CDI (105 kW) | |
| plate-forme/Châssis (B906) | | 514 CDI 4x4 (105 kW) | |
| 310 CDI (70 kW) | | SPRINTER 5-t Camion | 06/06 # |
| 313 CDI 4x4 (95 kW) | | plate-forme/Châssis (B906) | |
| 319 CDI / BlueTEC 4x4 (140 kW) | | 510 CDI (70 kW) | |
| 313 CDI (95/95 kW) | | 513 CDI 4x4 (95 kW) | |
| 316 CDI (120 kW) | | 516 CDI 4x4 (120 kW) | |
| 319 CDI / BlueTEC (140 kW) | | 511 CDI (80 kW) | |
| 316 CDI 4x4 (120 kW) | | 519 CDI / BlueTEC (140 kW) | |
| 311 CDI (84 kW) | | 513 CDI (95/95 kW) | |
| 314 CDI (105 kW) | | 516 CDI (120 kW) | |
| 314 CDI 4x4 (105 kW) | | 511 CDI 4x4 (80 kW) | |
| SPRINTER 4,6-t Camionnette | 06/06 # | 515 CDI 4x4 (110 kW) | |
| (B906) | | 519 CDI / BlueTEC 4x4 (140 kW) | |
| 413 CDI (95 kW) | | 514 CDI (105 kW) | |
| 414 CDI 4x4 (105 kW) | | 514 CDI 4x4 (105 kW) | |
| 416 CDI (120 kW) | | 511 CDI (84 kW) | |
| 411 CDI (80 kW) | | SPRINTER 5-t Autobus/Autocar | |
| 418 CDI (135 kW) | | 06/06 # | |
| 414 CDI (105 kW) | | (B906) | |
| 416 CDI 4x4 (120 kW) | | 513 CDI (95 kW) | |
| SPRINTER 4,6-t Camion | 06/06 # | 519 CDI (140 kW) | |
| plate-forme/Châssis (B906) | | 516 CDI (120 kW) | |
| 411 CDI (84 kW) | | SPRINTER CLASSIC 3,5-t | |
| 413 CDI (95 kW) | | 09/13 # | |
| 416 CDI (120 kW) | | Camionnette (B909) | |
| 418 CDI (135 kW) | | 311 CDI (80 kW) | |
| 414 CDI (105 kW) | | 313 CDI (100 kW) | |
| SPRINTER 5-t Camionnette | 06/06 # | SPRINTER CLASSIC 4,6-t | |
| (B906) | | 01/17 # | |
| 510 CDI (70 kW) | | Camionnette (B909) | |
| | | 413 CDI (100 kW) | |

SILVER *dynamic* AGM - 595 901 085 J38 2

| | |
|--|--|
| MERCEDES-BENZ | |
| SPRINTER CLASSIC 4,6-t 09/13 # Autobus/Autocar (B909) | |
| 411 CDI (80 kW) | |
| SPRINTER 3-t Tourer Bus (B907) 02/18 # | |
| 211 CDI (84 kW) | |
| 214 CDi (105 kW) | |
| SPRINTER 3-t Camionnette 02/18 # (B910) | |
| 211 CDI (84 kW) | |
| 214 CDI (105 kW) | |
| SPRINTER 3-t Camion 02/18 # plate-forme/Châssis (B910, B907) | |
| 211 CDI RWD (84 kW) | |
| 214 CDI RWD (105 kW) | |
| 216 CDI RWD (120 kW) | |
| 215 CDI RWD (110 kW) | |
| 217 CDI RWD (125 kW) | |
| 211 CDI (84 kW) | |
| 214 CDI (105 kW) | |
| SPRINTER 3,5-t Tourer Bus 02/18 # (B907) | |
| 311 CDI (84 kW) | |
| 319 CDI (140 kW) | |
| 316 CDI (120 kW) | |
| 314 CDI (105 kW) | |
| 314 CDI Traction intégrale (105 kW) | |
| 319 CDI Traction intégrale (140 kW) | |
| 316 CDI Traction intégrale (120 kW) | |
| SPRINTER 3,5-t Camionnette 02/18 # (B907, B910) | |
| 311 CDI RWD (84 kW) | |
| 315 CDI RWD (110 kW) | |
| 317 CDI RWD (125 kW) | |
| 311 CDI (84 kW) | |
| 314 CDI RWD (105 kW) | |
| 314 CDI Traction intégrale (105 kW) | |
| 316 CDI RWD (120 kW) | |
| 319 CDI RWD (140 kW) | |
| SPRINTER 4-t Camionnette 02/18 # (B907, B910) | |
| 411 CDI (84 kW) | |
| 414 CDI RWD (105 kW) | |
| 416 CDI Traction intégrale (120 kW) | |
| 414 CDI Traction intégrale (105 kW) | |
| 416 CDI RWD (120 kW) | |
| 419 CDI RWD (140 kW) | |
| 414 CDI (105 kW) | |
| 419 CDI Traction intégrale (140 kW) | |
| 411 CDI RWD (84 kW) | |
| 417 CDI RWD (125 kW) | |
| SPRINTER 4-t Camion 02/18 # plate-forme/Châssis (B907, B910) | |
| 411 CDI RWD (84 kW) | |

SILVER *dynamic* AGM - 595 901 085 J38 2

| | |
|--|--|
| MERCEDES-BENZ | |
| SPRINTER 4-t Camion 02/18 # plate-forme/Châssis (B907, B910) | |
| 414 CDI RWD (105 kW) | |
| 416 CDI RWD (120 kW) | |
| 419 CDI RWD (140 kW) | |
| 414 CDI (105 kW) | |
| 414 CDI Traction intégrale (105 kW) | |
| 416 CDI Traction intégrale (120 kW) | |
| 419 CDI Traction intégrale (140 kW) | |
| SPRINTER 5-t Camionnette 02/18 # (B907) | |
| 511 CDI (84 kW) | |
| 514 CDI (105 kW) | |
| 516 CDI Traction intégrale (120 kW) | |
| 519 CDI Traction intégrale (140 kW) | |
| 516 CDI (120 kW) | |
| 519 CDI (140 kW) | |
| SPRINTER 5-t Camion 02/18 # plate-forme/Châssis (B907) | |
| 511 CDI (84 kW) | |
| 514 CDI (105 kW) | |
| 516 CDI (120 kW) | |
| 519 CDI (140 kW) | |
| 516 CDI Traction intégrale (120 kW) | |
| 519 CDI Traction intégrale (140 kW) | |
| eSPRINTER Camionnette (B910) 02/20 # Electric (85 kW) | |
| T1/TN Camion 07/81 # 06/95 plate-forme/Châssis | |
| 410 (70 kW) | |
| 407 D (53 kW) | |
| 408 D (58/60 kW) | |
| 409 D (65 kW) | |
| 410 D (70 kW) | |
| MERCEDES-BENZ | |
| T1/TN Camionnette 07/81 # 06/95 | |
| 410 (70 kW) | |
| 407 D (53 kW) | |
| 408 D (58/60 kW) | |
| 409 D (65 kW) | |
| 410 D (70 kW) | |
| T2/L Camion basculant 01/68 # 12/88 | |
| LK 408 G (63 kW) | |
| LK 911 (81 kW) | |
| LS 911 (81 kW) | |
| LKO 508 DG (63 kW) | |
| LK 408 G, LK 409 (66/70 kW) | |
| L 608 D (63 kW) | |
| T2/L Véhicule municipal 06/72 # 08/82 | |
| LF 408 G (55 kW) | |
| LF 409 G (66 kW) | |
| LKO 508 DG (63 kW) | |
| T2/L Camionnette 01/68 # 12/88 | |
| L 405 D (44 kW) | |
| L 508 DG (60/63 kW) | |
| L 406 DG (44 kW) | |
| L 407 D (48/53 kW) | |
| L 408 G (55/55/63/63 kW) | |
| L 408 DG (63 kW) | |
| L 409 (66 kW) | |
| L 410 (70 kW) | |
| L 608 D (63 kW) | |
| L 613 D (96 kW) | |
| VARIO Cabine mobile 09/96 # | |
| 613 D, 614 D (95 kW) | |
| 615 D, 616 D (115 kW) | |
| 618 D (130 kW) | |
| 810 DT (75 kW) | |
| 814 DT (100 kW) | |
| 816 DT (112 kW) | |
| 812 DT (90 kW) | |
| VARIO Autobus/Autocar (B670) 08/96 # | |
| O 813 (95 kW) | |
| O 810 (75 kW) | |
| O 812 (90 kW) | |
| O 814 (100 kW) | |

SILVER *dynamic* AGM - 595 901 085 J38 2

| | |
|---|--|
| MERCEDES-BENZ | |
| VARIO Autobus/Autocar (B670) 08/96 # | |
| O 815 (112 kW) | |
| O 818 D (130 kW) | |
| O 816 D (115 kW) | |
| O 815 (110 kW) | |
| VARIO Camion 09/96 # | |
| plate-forme/Châssis (B670, B668, B667) | |
| 512 D (90 kW) | |
| 612 D (90 kW) | |
| 613 D, 614 D (95/100 kW) | |
| 615 D, 616 D (112/115 kW) | |
| 812 D (90 kW) | |
| 813 D, 814 D (95/100 kW) | |
| 815 D, 816 D (112/115 kW) | |
| 813 DA, 814 DA 4x4 (95/100 kW) | |
| 815 DA, 816 DA 4x4 (112/115 kW) | |
| 818 D (130 kW) | |
| 818 DA 4x4 (130 kW) | |
| 618 D (130 kW) | |
| 815 D (110 kW) | |
| VARIO Camionnette (B667, B670, B668) 09/96 # | |
| 512 D (90 kW) | |
| 612 D (90 kW) | |
| 613 D, 614 D (95/100 kW) | |
| 812 D (90 kW) | |
| 813 D, 814 D (95/100 kW) | |
| 815 D, 816 D (112/115 kW) | |
| 813 DA, 814 DA 4x4 (95/100 kW) | |
| 815 DA, 816 DA 4x4 (112/115 kW) | |
| 615 D, 616 D (115/112 kW) | |
| 818 D (130 kW) | |
| 618 D (130 kW) | |
| VARIO Camion basculant 09/96 # | |
| 612 D (90 kW) | |
| 613 D, 614 D (95/100 kW) | |
| 615 D, 616 D (112/115 kW) | |
| 812 D (90 kW) | |
| 813 D, 814 D (95/100 kW) | |

| | |
|--|--|
| MERCEDES-BENZ | |
| VARIO Camion basculant 09/96 # | |
| 815 D, 816 D (112/115 kW) | |
| 813 DA, 814 DA 4x4 (95/100 kW) | |
| 815 DA, 816 DA 4x4 (112/115 kW) | |
| 818 D (130 kW) | |
| 818 DA 4x4 (130 kW) | |
| 618 D (130 kW) | |
| EQV (W447) 06/20 # | |
| EQV 300 (150 kW) | |
| NISSAN | |
| NV400 Autobus/Autocar (X62, X62B) 11/11 # | |
| dCi 110 (81 kW) | |
| dCi 135 (100 kW) | |
| dCi 160 (120 kW) | |
| dCi 170 (125 kW) | |
| NV400 Camionnette (X62, X62B) 11/11 # | |
| dCi 130 (96 kW) | |
| dCi 135 (100 kW) | |
| dCi 165 (120 kW) | |
| dCi 135 RWD (100 kW) | |
| dCi 150 RWD (110 kW) | |
| dCi 130 RWD (96 kW) | |
| dCi 170 (125 kW) | |
| dCi 165 RWD (120 kW) | |
| NV400 Camion 11/11 # | |
| plate-forme/Châssis (X62, X62B) | |
| dCi 110 (81 kW) | |
| dCi 165 (120 kW) | |
| dCi 165 RWD (120 kW) | |
| dCi 135 RWD (100 kW) | |
| dCi 135 (100 kW) | |
| dCi 150 RWD (110 kW) | |
| dCi 150 (110 kW) | |
| dCi 130 (96 kW) | |
| dCi 130 RWD (96 kW) | |
| dCi 170 (125 kW) | |
| OPEL | |
| ANTARA A (L07) 05/06 # | |
| 2.0 CDTI (125 kW) | |

SILVER *dynamic* AGM - 595 901 085 J38 2

| | | | |
|------------------------------------|---------------|--------------------------------------|---------------|
| OPEL | | PEUGEOT | |
| ANTARA A (L07) | 05/06 # | BOXER Camionnette (230L) | 03/94 # 08/05 |
| 2.2 CDTi (120/122 kW) | | 2.8 HDi 4x4 (93/94 kW) | |
| 2.2 CDTi 4x4 (120/135 kW) | | 2.8 HDi (93 kW) | |
| 2.0 CDTi 4x4 (125 kW) | | BOXER Camion | 03/94 # 04/02 |
| INSIGNIA A Country Tourer (G09) | 07/08 # 03/17 | plate-forme/Châssis (ZCT_) | |
| 1.6 SIDI (125 kW) | | 2.5 TD (76 kW) | |
| 2.0 Turbo 4x4 (184 kW) | | 2.8 D (64 kW) | |
| 2.0 CDTi 4x4 (120/125 kW) | | 2.8 HDi Traction intégrale (93 kW) | |
| 2.0 CDTi (120/125 kW) | | BOXER Camionnette (244) | 12/01 # |
| 1.6 CDTi (88/100 kW) | | 2.8 HDi (93 kW) | |
| MOVANO B Autobus/Autocar (X62) | 12/10 # | 2.8 HDi 4x4 (94 kW) | |
| 2.3 CDTi FWD (74 kW) | | BOXER Autobus/Autocar | 09/05 # |
| MOVANO B Camionnette (X62) | 05/10 # | 2.2 HDi 130 (96 kW) | |
| 2.3 CDTi FWD (74 kW) | | 2.2 HDi 150 (110 kW) | |
| 2.3 CDTi RWD (74 kW) | | 3.0 HDi 175 (130 kW) | |
| MOVANO B Camion | 05/10 # | 3.0 HDi 160 (116 kW) | |
| plate-forme/Châssis (X62) | | 3.0 HDi 145 (107 kW) | |
| 2.3 CDTi FWD (74 kW) | | BOXER Camionnette | 04/06 # |
| 2.3 CDTi RWD (74 kW) | | 2.2 HDi 130 (96 kW) | |
| PEUGEOT | | 2.2 HDi 150 (110 kW) | |
| 607 (9D, 9U) | 01/00 # | 2.2 HDi 130 4x4 (96 kW) | |
| 3.0 V6 24V (155 kW) | | 2.2 HDi 150 4x4 (110 kW) | |
| BOXER Autobus/Autocar (230P) | 03/94 # 04/02 | BOXER Camion | 04/06 # |
| 1.9 D (51 kW) | | plate-forme/Châssis | |
| 1.9 TD (66 kW) | | 2.2 HDi 100 (74 kW) | |
| 2.5 TDI 4x4 (79 kW) | | 2.2 HDi 130 (96 kW) | |
| 2.5 TD (76 kW) | | 2.2 HDi 120 (88 kW) | |
| 2.8 D (64 kW) | | 2.2 HDi 150 (110 kW) | |
| 2.8 HDi Traction intégrale (93 kW) | | J5 Autobus/Autocar (280P) | 09/81 # 09/90 |
| BOXER Camionnette (230L) | 03/94 # 08/05 | 2.5 D (54 kW) | |
| 2.5 D (63 kW) | | J5 Camionnette (280L) | 09/81 # 09/90 |
| 2.5 TD (76 kW) | | 2.5 D (54 kW) | |
| 2.8 D (64 kW) | | 2.5 DT (70 kW) | |
| 2.5 TDI (79 kW) | | J5 Camion plate-forme/Châssis (280L) | 09/81 # 09/90 |
| 2.5 TDI 4x4 (79 kW) | | 2.5 D 4x4 (54 kW) | |
| 2.5 D 4x4 (63 kW) | | 2.5 D (54 kW) | |
| 2.8 HDi (94 kW) | | 2.5 DT (70 kW) | |
| 2.5 DT (62 kW) | | J5 Autobus/Autocar (290P) | 09/90 # 02/94 |
| | | 1.9 D (51 kW) | |

SILVER *dynamic* AGM - 595 901 085 J38 2

| | | | |
|--------------------------------------|---------------|-------------------------------------|---------------|
| PEUGEOT | | PORSCHE | |
| J5 Autobus/Autocar (290P) | 09/90 # 02/94 | 911 (991) | 12/11 # 12/20 |
| 2.5 TD (70 kW) | | 3.8 GT2 RS (515 kW) | |
| 2.5 D 4x4 (54 kW) | | 4.0 GT3 (368 kW) | |
| 2.5 TD 4x4 (70 kW) | | 4.0 GT3 RS (383 kW) | |
| 2.5 D (54 kW) | | 3.0 Carrera T (272 kW) | |
| J5 Camionnette (290L) | 09/90 # 03/94 | 3.4 Carrera (257 kW) | |
| 1.9 D (51 kW) | | 3.8 Carrera S (294 kW) | |
| 2.5 D 4x4 (54 kW) | | 3.8 Carrera 4S (294 kW) | |
| 2.5 TD 4x4 (70 kW) | | 4.0 GT3 RS / R (368 kW) | |
| 2.5 D (54 kW) | | 3.0 Carrera 4 (272 kW) | |
| 2.5 DT (70 kW) | | 3.0 Carrera S (309 kW) | |
| J5 Camion plate-forme/Châssis (290L) | 09/90 # 02/94 | 911 Décapotable (991) | 03/12 # 05/20 |
| 1.9 D (51 kW) | | 3.0 Carrera (272 kW) | |
| 2.5 TD (70 kW) | | 3.4 Carrera (257 kW) | |
| 2.5 TD 4x4 (70 kW) | | 3.8 Carrera S (294 kW) | |
| 2.5 D 4x4 (54 kW) | | 3.8 Carrera S / GTS (316 kW) | |
| 2.5 D (54 kW) | | 3.8 Carrera 4S / 4 GTS (316 kW) | |
| POLESTAR | | 3.8 Turbo (383/397 kW) | |
| POLESTAR 1 (P) | 03/18 # | 3.8 Turbo S (412/427 kW) | |
| PHEV AWD (227 kW) | | 3.0 Carrera GTS (331 kW) | |
| POLESTAR 2 (P) | 02/19 # | 3.4 Carrera 4 (257 kW) | |
| EV (300 kW) | | 3.8 Carrera 4S (294 kW) | |
| PORSCHE | | 3.0 Carrera 4 (272 kW) | |
| 911 (964) | 12/88 # 09/93 | 3.0 Carrera S (309 kW) | |
| 3.3 Turbo S (261 kW) | | 3.0 Carrera 4S (309 kW) | |
| 911 (997) | 07/04 # 12/13 | 3.0 Carrera 4 GTS (331 kW) | |
| 3.6 GT2 RS (456 kW) | | 911 Targa (991) | 05/14 # 12/19 |
| 4.0 GT3 RS (368 kW) | | 3.0 Carrera 4 (272 kW) | |
| 3.8 GT3 RS (331 kW) | | 3.4 Carrera 4 (257 kW) | |
| 911 (991) | 12/11 # 12/20 | 3.8 Carrera 4S / 4 GTS (316 kW) | |
| 3.0 Carrera (272 kW) | | 3.0 Carrera 4S (309 kW) | |
| 3.8 Carrera S / GTS (316 kW) | | 3.8 Carrera 4S (294 kW) | |
| 3.4 Carrera 4 (257 kW) | | 3.0 Carrera 4 GTS (331 kW) | |
| 3.8 Carrera 4S / 4 GTS (316 kW) | | 718 BOXSTER (982) | 04/16 # |
| 3.8 GT3 (350 kW) | | 2.0 T (220 kW) | |
| 3.0 Carrera 4S (309 kW) | | 2.5 S (257 kW) | |
| 3.8 Turbo (397/383 kW) | | 2.5 GTS (269 kW) | |
| 3.8 Turbo S (427/446/412 kW) | | GTS 4.0 (294 kW) | |
| 3.0 Carrera GTS (331 kW) | | CAYENNE (92A) | 06/10 # |
| 3.0 Carrera 4 GTS (331 kW) | | 3.0 S E-Hybrid (306 kW) | |
| | | 3.0 Diesel (176/180/155/193/184 kW) | |

SILVER *dynamic* AGM - 595 901 085 J38 2

| | | | |
|-----------------------------------|----------------------|--|----------------|
| PORSCHE | | PORSCHE | |
| CAYENNE (92A) | 06/10 # | PANAMERA (971) | 05/16 # |
| 4.8 Turbo (368/397/382 kW) | | 4.0 S 4 Diesel (310 kW) | |
| 3.6 (220 kW) | | 3.0 (243 kW) | |
| 4.8 S (294 kW) | | 3.0 4 (243 kW) | |
| 4.8 GTS (309 kW) | | 4.0 GTS (338 kW) | |
| 4.2 S Diesel (283 kW) | | PANAMERA Sport Turismo (971) 05/17 # | |
| 3.6 S (309 kW) | | 2.9 4 (243 kW) | |
| 3.6 GTS (324 kW) | | 3.0 4 (243 kW) | |
| 4.8 Turbo S (419 kW) | | 2.9 4 E-Hybrid (243 kW) | |
| 718 CAYMAN (982) | | 4.0 Turbo (404 kW) | |
| 2.0 (220 kW) | 04/16 # | 4.0 S 4 Diesel (310 kW) | |
| S 2.5 (257 kW) | | 4.0 Turbo S E-Hybrid (500/500 kW) | |
| 2.5 GTS (269 kW) | | 4.0 GTS (338 kW) | |
| GTS 4.0 (294 kW) | | 2.9 4S (324 kW) | |
| MACAN (95B) | | RAM | |
| 2.0 (180 kW) | 02/14 # | 1500 Standard Cab Pickup (DS) 09/09 # | |
| 3.0 S (250/260 kW) | | 3.0 TD 4WD (179 kW) | |
| 3.6 Turbo (324/294 kW) | | 1500 Crew Cab Pickup (DS) 09/10 # | |
| 3.0 S Diesel (190/155/184/180 kW) | | 3.0 TD 4WD (179 kW) | |
| 3.0 GTS (265 kW) | | 1500 Extended Cab Pickup (DS) 09/10 # | |
| GTS (280 kW) | | 3.0 TD 4WD (179 kW) | |
| 2.9 Turbo AWD (324 kW) | | RENAULT | |
| PANAMERA (970) | | MASTER I Autobus/Autocar (T_) 08/80 # 07/98 | |
| 3.0 S E-Hybrid (245 kW) | 03/09 # 12/17 | 30 2.2 (67 kW) | |
| 4.8 Turbo S (404/419 kW) | | 35 2,5 TD (69 kW) | |
| 3.0 D (184/155/221 kW) | | MASTER II Autobus/Autocar (JD) 03/98 # | |
| 4.8 Turbo (397/368/382 kW) | | 1.9 dTI (59 kW) | |
| 4.8 GTS (316/324 kW) | | 2.8 dTI (84 kW) | |
| 4.8 S (294 kW) | | 2.2 dCi 90 (66 kW) | |
| 4.8 4S (294 kW) | | 2.5 dCi 120 (84 kW) | |
| 3.6 (220/228 kW) | | 1.9 dCi 80 (60 kW) | |
| 3.6 4 (220/228 kW) | | 2.5 dCi 100 (73 kW) | |
| 3.0 S (309 kW) | | 3.0 dCi 140 (100 kW) | |
| 3.0 4S (309 kW) | | 2.5 dCi (74/88/107 kW) | |
| PANAMERA (971) | | MASTER II Camionnette (FD) 07/98 # | |
| 2.9 4 (243 kW) | 05/16 # | 1.9 dTI (59 kW) | |
| 2.9 4 E-Hybrid (340/243 kW) | | 3.0 dCi 160 (115 kW) | |
| 2.9 4S (324 kW) | | 3.0 dCi 120 (85 kW) | |
| 4.0 Turbo S E-Hybrid (404/500 kW) | | 2.5 D (59 kW) | |
| 4.0 Turbo (404 kW) | | 2.8 dTI (84 kW) | |

SILVER *dynamic* AGM - 595 901 085 J38 2

| | |
|--|--|
| RENAULT | |
| MASTER II Camionnette (FD) 07/98 # | |
| 2.2 dCi 90 (66 kW) | |
| 2.5 dCi 120 (84 kW) | |
| 1.9 dCi 80 (60 kW) | |
| 2.5 dCi 100 (73 kW) | |
| 3.0 dCi 140 (100 kW) | |
| 2.5 dCi (74/88/107 kW) | |
| MASTER II Camion 07/98 # | |
| plate-forme/Châssis (ED/HD/UD) | |
| 2.2 dCi 90 (66 kW) | |
| 3.0 dCi 160 (115 kW) | |
| 3.0 dCi 120 (85 kW) | |
| 2.5 D (59 kW) | |
| 2.8 dTi (84 kW) | |
| 2.5 dCi 120 (84 kW) | |
| 3.0 dCi 140 (100 kW) | |
| 2.5 dCi 100 (73 kW) | |
| 2.5 dCi (74/88/107 kW) | |
| MASTER III Autobus/Autocar (JV) 02/11 # | |
| 2.3 dCi 100 FWD (74 kW) | |
| 2.3 dCi 125 FWD (92 kW) | |
| 2.3 dCi 145 FWD (107 kW) | |
| 2.3 dCi 165 FWD (120 kW) | |
| 2.3 dCi 135 FWD (100 kW) | |
| 2.3 dCi 110 FWD (81 kW) | |
| 2.3 dCi 170 FWD (125 kW) | |
| 2.3 dCi 180 FWD (132 kW) | |
| MASTER III Camionnette (FV) 02/10 # | |
| Z.E. (57 kW) | |
| 2.3 dCi 100 FWD (74 kW) | |
| 2.3 dCi 125 FWD (92 kW) | |
| 2.3 dCi 125 RWD (92 kW) | |
| 2.3 dCi 145 RWD (107 kW) | |
| 2.3 dCi 145 FWD (107 kW) | |
| 2.3 dCi 150 FWD (110 kW) | |
| 2.3 dCi 150 RWD (110 kW) | |
| 2.3 dCi 110 FWD (81 kW) | |
| 2.3 dCi 135 RWD (100 kW) | |
| 2.3 dCi 165 RWD (120 kW) | |
| 2.3 dCi 130 FWD (96 kW) | |
| 2.3 dCi 170 FWD (125 kW) | |
| 2.3 dCi 130 RWD (96 kW) | |
| 2.3 dCi 135 FWD (100 kW) | |
| 2.3 dCi 180 FWD (132 kW) | |
| MASTER PRO Camionnette 05/04 # 04/10 | |
| (FH__) | |
| dCi 110 (78 kW) | |
| dCi 120 (85 kW) | |
| dCi 125 (92 kW) | |
| dCi 130 (96 kW) | |
| dCi 140 (103 kW) | |
| dCi 150 (110 kW) | |
| dCi 160 (115 kW) | |
| MASTER PRO Camion 06/05 # 04/10 | |
| plate-forme/Châssis (HH__, UH__) | |
| dCi 110 (78 kW) | |
| dCi 120 (85 kW) | |
| dCi 125 (92 kW) | |
| dCi 130 (96 kW) | |
| dCi 140 (103 kW) | |
| dCi 150 (110 kW) | |

SILVER *dynamic* AGM - 595 901 085 J38 2

| | |
|---|---------------|
| RENAULT | |
| MASTER PRO Camion plate-forme/Châssis (HH__, UH__) dCi 160 (115 kW) | 06/05 # 04/10 |
| ROLLS-ROYCE | |
| PHANTOM VII (RR1) V12 (338 kW) | 01/03 # 07/17 |
| PHANTOM VII Drophead Coupe (RR2) 6.75 V12 (338 kW) | 06/07 # 07/17 |
| PHANTOM VII Coupé (RR3) 6.75 V12 (338 kW) | 06/08 # 07/17 |
| PHANTOM VIII (RR11, RR12) V12, V12 EWB (420 kW) | 09/17 # |
| GHOST I (RR4) V12 (420 kW) V-Specification (442 kW) | 12/09 # 03/20 |
| WRAITH (RR5) V12 (441 kW) V12 (465 kW) | 08/13 # |
| DAWN (RR6) V12 (420 kW) | 11/15 # |
| CULLINAN (RR31) V12 (420 kW) | 08/18 # |
| RUF | |
| CTR 3.6 (522 kW) | 03/17 # |
| CTR 3 Coupé 3.8 (515 kW) | 03/07 # |
| RGT MK II 4.5 (410 kW) | 01/05 # 12/11 |
| RGT MK III 4.2 (386 kW) 4.5 (405 kW) | 01/12 # |
| Rt 35 Coupé 3.8 (464 kW) 3.8 S (478 kW) 3.8 S AWD (478 kW) | 07/12 # |
| Rt 35 Roadster 3.8 (464 kW) | 07/12 # |
| RUF | |
| Rt 35 Roadster 3.8 AWD (464 kW) | 07/12 # |
| RtR 3.8 (590 kW) | 01/15 # |
| SCR 4.0 (375 kW) 4.2 (386 kW) | 02/16 # |
| TURBO FLORIO 3.8 (474 kW) | 03/15 # |
| ULTIMATE 3.6 (434 kW) | 02/16 # |
| VAUXHALL | |
| ANTARA A (L07) 2.2 CDTi FWD (120 kW) 2.2 CDTi 4x4 (135/120 kW) | 08/06 # |
| INSIGNIA Mk I (A) 3/5 portes (G09) 2.0 E85 Turbo (162 kW) 1.6 CDTi (88 kW) | 07/08 # 05/17 |
| INSIGNIA Mk I (A) A trois volumes (G09) 2.0 E85 Turbo (162 kW) 2.0 CDTi (81/96/118 kW) 1.6 CDTi (88/100 kW) | 07/08 # 05/17 |
| INSIGNIA Mk I (A) Sports Tourer (G09) 2.0 Turbo (162 kW) 2.0 CDTi 4x4 (120/118 kW) 1.6 CDTi (88 kW) 2.0 E85 Turbo (162 kW) 2.0 CDTi (96/118 kW) | 07/08 # 05/17 |
| INSIGNIA Mk I (A) Country Tourer (G09) 2.0 Turbo 4x4 (184 kW) 2.0 CDTi (96/88/120/120/125 kW) 1.6 CDTi (100 kW) 2.0 CDTi 4x4 (125 kW) 2.0 Biturbo CDTi 4x4 (143 kW) | 07/08 # 05/17 |
| MOVANO Mk I (A) Combi (X70) 1.9 DTI (59 kW) 2.5 D (59 kW) | 10/98 # 05/10 |

SILVER *dynamic* AGM - 595 901 085 J38 2

| | |
|--|--|
| VAUXHALL | |
| MOVANO Mk I (A) Combi (X70) 10/98 # 05/10 | |
| 2.8 DTI (84 kW) | |
| 2.2 DTI (66 kW) | |
| 2.5 DTI (84 kW) | |
| 2.5 CDTI (74/88/107 kW) | |
| 3.0 DTi (100 kW) | |
| MOVANO Mk I (A) Van (X70) 10/98 # 12/10 | |
| 1.9 DTI (59 kW) | |
| 2.5 D (59 kW) | |
| 2.8 TDI (84 kW) | |
| 2.2 DTI (66 kW) | |
| 2.5 DTI (84 kW) | |
| 2.5 CDTI (74/107/88 kW) | |
| 3.0 DTi (100 kW) | |
| MOVANO Mk I (A) Chassis/Cab (X70) 10/98 # 12/10 | |
| 2.2 DTI (66 kW) | |
| 2.8 DTI (84 kW) | |
| 2.5 D (59 kW) | |
| 2.5 DTI (84 kW) | |
| 2.5 CDTI (74/88/107 kW) | |
| 3.0 DTi (100 kW) | |
| MOVANO Mk II (B) Combi (X62) 05/10 # | |
| 2.3 CDTI FWD (74 kW) | |
| MOVANO Mk II (B) VAN (X62) 05/10 # | |
| 2.3 CDTI FWD (74 kW) | |
| 2.3 CDTI RWD (110/74 kW) | |
| MOVANO Mk II (B) Chassis/Cab (X62) 05/10 # | |
| 2.3 CDTI FWD (74 kW) | |
| 2.3 CDTI RWD (110/74 kW) | |
| VIVARO A Autobus/Autocar (X83) 08/01 # 07/14 | |
| 2.5 DTI (99 kW) | |
| 2.5 CDTI (107 kW) | |
| VIVARO A Camionnette (X83) 08/01 # 07/14 | |
| 2.0 CDTI (66 kW) | |
| 2.5 DTI (99 kW) | |
| 2.5 CDTI (107 kW) | |
| VIVARO A Camion plate-forme/Châssis (X83) 04/03 # 07/14 | |
| 2.0 CDTI (66 kW) | |
| VAUXHALL | |
| VIVARO A Camion plate-forme/Châssis (X83) 04/03 # 07/14 | |
| 2.5 CDTI (107/99 kW) | |
| VOLVO | |
| S80 I (184) 05/98 # 02/08 | |
| 2.4 D (96 kW) | |
| 2.5 TDI (103 kW) | |
| D5 (120 kW) | |
| S80 II (124) 03/06 # 12/16 | |
| 2.4 D (120 kW) | |
| D5 (136 kW) | |
| D5 AWD (136 kW) | |
| S90 II (234) 01/16 # | |
| T4 (140 kW) | |
| T6 Drive-E Polestar AWD (240 kW) | |
| T6 AWD (235/228 kW) | |
| T5 (187/184 kW) | |
| D4 AWD (140 kW) | |
| D3 (110 kW) | |
| 2.0 (183 kW) | |
| T5 Drive-E Polestar (186 kW) | |
| D4 Drive-E Polestar (147 kW) | |
| T8 Plug-in Hybrid AWD (235 kW) | |
| T8 Hybrid Polestar AWD (233 kW) | |
| D5 AWD (173 kW) | |
| D4 (140 kW) | |
| T8 Hybrid AWD (287 kW) | |
| T4 Polestar (155 kW) | |
| D5 Polestar AWD (177 kW) | |
| T6 Drive-E Polestar AWD (246 kW) | |
| D4 Drive-E Polestar AWD (147 kW) | |
| T5 Drive-E Polestar (192 kW) | |
| T8 Plug-in Hybrid Polestar AWD (246 kW) | |
| V70 II (285) 11/99 # 12/08 | |
| 2.5 R Sport (221 kW) | |
| V90 II Break (235) 03/16 # | |
| 2.0 T4 AWD (140 kW) | |

SILVER *dynamic* AGM - 595 901 085 J38 2

| | | | |
|---|----------------|---|----------------------|
| VOLVO | | VOLVO | |
| V90 II Break (235) | 03/16 # | XC60 II (246) | 03/17 # |
| D5 AWD (173 kW) | | T6 AWD (235/228 kW) | |
| T5 (187/184 kW) | | D5 AWD (173 kW) | |
| T6 AWD (235/228 kW) | | T5 Polestar AWD (192 kW) | |
| D3 (110 kW) | | D4 Polestar AWD (147 kW) | |
| D4 AWD (140 kW) | | T8 Hybrid Polestar AWD (298 kW) | |
| T4 (140 kW) | | T4 Polestar (155 kW) | |
| Polestar AWD (147 kW) | | T5 Polestar AWD (186 kW) | |
| D5 Polestar AWD (176 kW) | | T5 Polestar (186 kW) | |
| T8 Plug-in Hybrid Polestar AWD (233 kW) | | T6 Polestar AWD (240 kW) | |
| T6 Polestar AWD (240 kW) | | D5 Polestar AWD (177 kW) | |
| D4 (120/140 kW) | | D4 Polestar (147 kW) | |
| D3 AWD (110 kW) | | XC90 I (275) | 06/02 # 01/15 |
| T8 Plug-in-Hybrid AWD (299 kW) | | 2.5 AWD (153 kW) | |
| T8 Hybrid AWD (287 kW) | | 2.5 T AWD (154 kW) | |
| T4 Polestar (154 kW) | | D5 AWD (147/120/136/120/155 kW) | |
| T5 Polestar (186 kW) | | V8 AWD (232/235 kW) | |
| D4 Polestar (147 kW) | | D3 / D5 (120 kW) | |
| T8 Plug-in Hybrid Polestar AWD (246 kW) | | 3.2 (175 kW) | |
| T6 Plug-in-Hybrid AWD (250 kW) | | XC90 II (256) | 09/14 # |
| T8 Plug-in-Hybrid AWD (287 kW) | | T5 Drive-E Polestar AWD (176 kW) | |
| V90 II Cross Country (236) | 03/16 # | 2.0 T8 Hybrid AWD (223 kW) | |
| T5 AWD (183 kW) | | T6 Polestar AWD (240 kW) | |
| T6 Polestar AWD (246 kW) | | T5 Polestar AWD (186 kW) | |
| D4 AWD (120 kW) | | T8 Twin Engine AWD (287 kW) | |
| T5 Polestar AWD (186 kW) | | T8 Hybrid Polestar AWD (233 kW) | |
| XC40 (536) | 10/17 # | D5 Polestar AWD (177 kW) | |
| D4 Polestar (147 kW) | | D5 DRIVe Polestar AWD (176 kW) | |
| XC60 II (246) | 03/17 # | T8 Plug-in Hybrid Polestar AWD (246 kW) | |
| T4 (140 kW) | | T5 AWD (183 kW) | |
| T8 Hybrid AWD (246/299/287 kW) | | T6 AWD (228 kW) | |
| D4 AWD (140 kW) | | T6 Polestar AWD (246 kW) | |
| T5 (184/187 kW) | | D5 AWD (165/173 kW) | |
| T5 AWD (183/187/184 kW) | | T8 Hybrid AWD (299/298 kW) | |
| D4 (140 kW) | | D4 (140 kW) | |
| D3 (110 kW) | | D4 AWD (140 kW) | |
| T6 Polestar AWD (246 kW) | | B5 Mild-Hybrid AWD (173 kW) | |
| B5 Mild-Hybrid AWD (173 kW) | | B4 Mild-Hybrid AWD (145 kW) | |
| B4 Mild-Hybrid AWD (145 kW) | | | |

SILVER *dynamic* AGM - 595 901 085 J38 2

| | |
|---|---------------|
| VOLVO | |
| 740 (744) | 04/83 # 12/92 |
| 2.4 Diesel (60 kW) | |
| 2.4 TD (83/80/90 kW) | |
| 740 Kombi (745) | 08/84 # 12/92 |
| 2.4 Diesel (60 kW) | |
| 2.4 Turbo-Diesel (80 kW) | |
| 2.4 TD Interc. (90 kW) | |
| VW | |
| AMAROK (2HA, 2HB, S1B, S6B, S7A, S7B) | 09/10 # |
| 2.0 BiTDI (132 kW) | |
| 2.0 BiTDI 4motion (132 kW) | |
| 3.0 TDI 4motion (165/150/120/190 kW) | |
| 3.0 TDI (120 kW) | |
| AMAROK Camion plate-forme/Châssis (S1B, S6B, S7B) | 09/11 # |
| 3.0 TDI 4motion (150 kW) | |
| ARTEON (3H7, 3H8) | 03/17 # |
| 1.5 TSI (110 kW) | |
| 2.0 TDI 4motion (176/140 kW) | |
| 2.0 TSI 4motion (206/200 kW) | |
| 2.0 TDI (140/110 kW) | |
| 2.0 TSI (140 kW) | |
| ILTIS (183) | 03/79 # 12/88 |
| 1.6 TD (51 kW) | |
| PASSAT B6 (3C2) | 03/05 # 12/10 |
| 1.6 TDI (77 kW) | |
| PASSAT B6 Variant (3C5) | 08/05 # 11/11 |
| 1.6 TDI (77 kW) | |
| PASSAT B7 (362) | 08/10 # 12/15 |
| 1.4 TSI (90 kW) | |
| 2.0 TSI (155 kW) | |
| 1.8 TSI (118/112 kW) | |
| 1.4 TSI EcoFuel (110 kW) | |
| 1.6 TDI (77 kW) | |
| 2.0 TDI (103/125/100/130 kW) | |
| 2.0 TDI 4motion (103/125/130 kW) | |
| 1.4 TSI MultiFuel (118 kW) | |
| VW | |
| PASSAT B7 Variant (365) | 08/10 # 12/15 |
| 1.4 TSI (90 kW) | |
| 1.8 TSI (118/112 kW) | |
| 2.0 TDI 4motion (125/103/130 kW) | |
| 1.4 TSI EcoFuel (110 kW) | |
| 2.0 TDI (125/103/100/130 kW) | |
| 1.6 TDI (77 kW) | |
| 1.4 TSI MultiFuel (118 kW) | |
| 2.0 TSI (155 kW) | |
| PASSAT B7 Camionnette/Break (365) | 08/10 # 12/14 |
| 1.4 TSi BlueMotion (90 kW) | |
| 2.0 TFSI (155 kW) | |
| 2.0 TDi BlueMotion (103/125 kW) | |
| 1.8 TFSi (118 kW) | |
| 1.6 TDi BlueMotion (77 kW) | |
| PASSAT B8 (3G2, CB2) | 08/14 # |
| 1.8 TSI (132 kW) | |
| 2.0 TSI 4motion (200/206 kW) | |
| 2.0 TDI (110/140/135 kW) | |
| 2.0 TDI 4motion (176/140/110 kW) | |
| 1.6 TDI (88 kW) | |
| 2.0 TSI (162/140 kW) | |
| PASSAT B8 Variant (3G5, CB5) | 08/14 # |
| 1.8 TSI (132 kW) | |
| 2.0 TSI 4motion (200/206 kW) | |
| 2.0 TDI (110/135/140 kW) | |
| 2.0 TDI 4motion (176/110/140 kW) | |
| 1.6 TDI (88 kW) | |
| 2.0 TSI (162/140 kW) | |
| PASSAT ALLTRACK B8 Variant (3G5, CB5) | 05/15 # |
| 2.0 TSI 4motion (200 kW) | |
| 2.0 TDI 4motion (110/140/176 kW) | |
| 2.0 TSI 4motion (206 kW) | |
| PHAETON (3D1, 3D2, 3D3, 3D4, 3D6, 3D7, 3D8, 3D9) | 04/02 # 03/16 |
| 3.2 V6 (177 kW) | |

SILVER *dynamic* AGM - 595 901 085 J38 2

| | |
|---|--|
| VW | |
| PHAETON (3D1, 3D2, 3D3, 3D4, 04/02 # 03/16 3D6, 3D7, 3D8, 3D9) | |
| 3.2 V6 4motion (177 kW) | |
| 5.0 V10 TDI 4motion (230 kW) | |
| 6.0 W12 4motion (331/309 kW) | |
| 3.0 V6 TDI 4motion (171/176/180/165 kW) | |
| 3.6 V6 4motion (206 kW) | |
| 4.2 V8 4motion (246 kW) | |
| TOUAREG (7LA, 7L6, 7L7) 10/02 # 01/13 | |
| 3.6 V6 FSI (206 kW) | |
| 5.0 V10 TDI (230 kW) | |
| 4.2 V8 (228 kW) | |
| 3.0 V6 TDI (165/176 kW) | |
| 6.0 W12 (331 kW) | |
| 4.2 V8 FSI (257 kW) | |
| 5.0 R50 TDI (257 kW) | |
| 3.0 TDI (155 kW) | |
| TOUAREG (7P5, 7P6) 01/10 # 12/18 | |
| 3.0 V6 TSI (213 kW) | |
| 3.6 V6 FSI (183/206 kW) | |
| 3.0 V6 TDI (150/180/176/165/193 kW) | |
| 4.2 V8 FSI (265 kW) | |
| 4.2 V8 TDI (250 kW) | |
| 3.0 V6 TSI Hybrid (279 kW) | |
| TOUAREG (CR7) 11/17 # | |
| 3.0 TSI 4motion (250 kW) | |
| 3.0 TDI 4motion (210/170/183 kW) | |
| 2.0 TFSi 4motion (183 kW) | |
| 4.0 V8 TDI 4motion (310 kW) | |
| CRAFTER 30-35 04/06 # 12/16 | |
| Autobus/Autocar (2E_) | |
| 2.0 TDI (80 kW) | |
| CRAFTER 30-50 Camionnette 04/06 # 12/16 | |
| (2E_) | |
| 2.0 TDI (80 kW) | |
| 2.5 TDI (100 kW) | |
| CRAFTER 30-50 Camion 04/06 # 12/16 | |
| plate-forme/Châssis (2F_) | |
| 2.0 TDI (80 kW) | |
| VW | |
| CRAFTER 30-50 Camion 04/06 # 12/16 | |
| plate-forme/Châssis (2F_) | |
| 2.5 TDI (100 kW) | |
| CRAFTER Autobus/Autocar (SYI, 09/16 # SYJ) | |
| 2.0 TDI (75 kW) | |
| 2.0 TDI 4motion (103 kW) | |
| CRAFTER Camionnette (SY_, 09/16 # SX_) | |
| e-Crafter (100 kW) | |
| 2.0 TDI RWD (80/90/103/130 kW) | |
| 2.0 TDI (75/103/130 kW) | |
| 2.0 TDI 4motion (103/130 kW) | |
| CRAFTER Camion 11/16 # | |
| plate-forme/Châssis (SZ_) | |
| 2.0 TDI (75 kW) | |
| 2.0 TDI RWD (90/103/80/130 kW) | |
| 2.0 TDI 4motion (103/130 kW) | |
| MULTIVAN V (7HM, 7HN, 7HF, 04/03 # 08/15 7EF, 7EM, 7EN) | |
| 2.0 TSI (110 kW) | |
| TRANSPORTER V 04/03 # 08/15 | |
| Autobus/Autocar (7HB, 7HJ, 7EB, 7EJ) | |
| 2.0 TSI (110 kW) | |
| TRANSPORTER V Camionnette 04/03 # | |
| (7HA, 7HH, 7EA, 7EH) | |
| 2.0 BiFuel (85 kW) | |
| 2.0 TSI (110 kW) | |
| TRANSPORTER V Camion 04/03 # 08/15 | |
| plate-forme/Châssis (7JD, 7JE, 7JL, 7JY) | |
| 2.0 TSI (110 kW) | |
| CALIFORNIA T6 Camper (SGC, 04/15 # SGG, SHC) | |
| 2.0 TDI 4motion (150 kW) | |
| GRAND CALIFORNIA Camper 04/19 # | |
| (SCB, SCC) | |
| 2.0 TDI (130 kW) | |
| 2.0 TDI 4motion (130 kW) | |

SILVER *dynamic* AGM - 595 901 085 J38 2

| | | | |
|-----------------------------|-----------------|---|-----------------|
| WIESMANN | | AVIA | |
| MF4 Roadster | 03/09 # | D-Line | 200110 # |
| 4.4 (300 kW) | | D 65.185 (136 kW) | 07/06 # |
| 4.8 (270 kW) | | D 70.160 (117 kW) | 07/06 # |
| 4.0 S (309 kW) | | D 70.185 (136 kW) | 07/06 # |
| MF5 Roadster | 09/09 # | D 75.160 (117 kW) | 07/06 # |
| 4.4 (408 kW) | | D 75.185 (136 kW) | 07/06 # |
| 5.0 (373 kW) | | D 75.207 (152 kW) | 07/06 # |
| GT MF4 Coupé | 09/03 # | D 80.160 (117 kW) | 07/06 # |
| 4.0 S (309 kW) | | D 80.185 (136 kW) | 07/06 # |
| 4.4 (300 kW) | | D 85.160 (117 kW) | 07/06 # |
| 4.8 (270 kW) | | D 85.185 (136 kW) | 07/06 # |
| GT MF5 Coupé | 09/07 # | D 90.160 (117 kW) | 07/06 # |
| 5.0 (373 kW) | | D 90.185 (136 kW) | 07/06 # |
| 4.4 (408 kW) | | D 90.207 (152 kW) | 07/06 # |
| AEBI | | D 100.160 (117 kW) | 07/06 # |
| Geräteträger | | D 100.185 (136 kW) | 07/06 # |
| KT 65 (44 kW) | | D 110.160 (117 kW) | 07/06 # |
| TT 120 (48 kW) | | D 110.185 (136 kW) | 07/06 # |
| TT 170 (50 kW) | | D 120.160 (117 kW) | 07/06 # |
| TT 180 (61 kW) | | D 75.62 (110 kW) | 01/05 # |
| KT 80 (62 kW) | | D 120.185 (136 kW) | 07/06 # |
| Mehrzwecktransporter | | D 120.207 (152 kW) | 07/06 # |
| TP 450 | | D 120.160 (117 kW) | 07/06 # |
| TP 48 (50 kW) | | BEDFORD | |
| TP 48P (61 kW) | | D-Serie | |
| TP 68 (55 kW) | | D 7.5 T | |
| TP 88 (61 kW) | | BELARUS | |
| TP 98K (59 kW) | | Series 100 | 197701 # |
| VT 450 (72 kW) | | 152 (10 kW) | 01/14 # |
| AVIA | | 310.4M, 310.5, 320.4, 320.5M (2601/13 # | |
| Others | | kW) | |
| All 12 V vehicles | | 310.4M, 310.5, 320.4M, 320.5 (2701/13 # | |
| D-Line | 200110 # | kW) | |
| D 60 (110 kW) | 10/01 # | 311 (18 kW) | 01/10 # |
| D 75 (110 kW) | 10/01 # | 311M (24 kW) | 01/10 # |
| D 75 T (110 kW) | 10/01 # | 321 (27 kW) | 01/08 # |
| D 90 (110 kW) | 10/01 # | 321M (26 kW) | 01/08 # |
| D 120 (110 kW) | 10/01 # | 422 (37 kW) | 01/08 # |
| D 60.160 (117 kW) | 07/06 # | 622 (46 kW) | 01/08 # |
| D 60.185 (136 kW) | 07/06 # | 510, 511, 511.1, 520, 611 (42 | 01/98 # |
| D 65.160 (117 kW) | 07/06 # | kW) | |
| | | 512, 512.2, 522, 612 (42 kW) | 01/98 # |

SILVER *dynamic* AGM - 595 901 085 J38 2

| | | |
|------------------------------------|---------------|--|
| BELARUS | | |
| Series 100 | 197701 # | |
| 570 (46 kW) | 01/92 # | |
| 572 (46 kW) | 01/92 # | |
| Series 1000 | 197601 # | |
| 1021 (77 kW) | 05/94 # | |
| 1021.3 (81 kW) | 05/07 # | |
| 1021.4 (81 kW) | 05/11 # | |
| 1021.5, 1021.6 (81 kW) | 05/13 # | |
| 1025.5, 1025.6 (81 kW) | 05/13 # | |
| 1025.2 (79 kW) | 05/00 # | |
| 1025.3 (81 kW) | 05/04 # | |
| 1025.4 (81 kW) | 05/08 # | |
| BOBARD | | |
| Others | | |
| 410 | | |
| 500, 570, 570 XD, 580 TR | | |
| 53 B, 58, 68 L | | |
| 620, 621 | | |
| 70, 77 | | |
| 730 | | |
| A 35, B 30 | | |
| K 42, K 45, K 50, K 52, K 53 B, K | | |
| 58, K 68 L | | |
| M 55, 75, 90 | | |
| M 75, 90 | | |
| M 90 4x4 | | |
| PX 55, PX 70, PX 570 X 9, PX | | |
| 60, 621 | | |
| V 500 | | |
| BREMACH | | |
| GR-Serie | | |
| GR35 | | |
| GR45 | | |
| NB-Serie | | |
| NB35 | | |
| NB45 | | |
| Others | | |
| GR35, GR45, NB35, NB45 | | |
| BUCHER Schörling | | |
| Excavator | | |
| 206 | | |
| BUCHER Schörling | | |
| Others | | |
| 1600 | | |
| 2400 | | |
| 2800 | | |
| Jenit 4000 | | |
| Polytrac 40, Polytrac 42, Polytrac | | |
| 50 | | |
| TM 1000 | | |
| CASE IH | | |
| CS | 199409 # | |
| 48, 48A (35 kW) | 09/96 # | |
| 52 (38 kW) | 01/01 # 12/04 | |
| 63 (46 kW) | 01/01 # 12/04 | |
| 68 (50 kW) | 01/01 # 12/04 | |
| 68, 68A, 75, 75A (50 kW) | 01/01 # 12/04 | |
| 58, 58A (43 kW) | 01/98 # | |
| FARMALL | 201209 # | |
| 55C, 65C (41 kW) | 09/12 # | |
| 65A, 75A (48 kW) | 09/12 # | |
| 75C (55 kW) | 09/12 # | |
| 85A (60 kW) | 09/12 # | |
| 85C, 95C (63 kW) | 09/12 # | |
| 95A (70 kW) | 09/12 # | |
| 95U (73 kW) | 09/12 # | |
| 105A (78 kW) | 09/12 # | |
| 105C (79 kW) | 09/12 # | |
| 106U (79 kW) | 09/12 # | |
| 115A (84 kW) | 09/12 # | |
| Excavator | | |
| 2504 | | |
| CATERPILLAR | | |
| Trucks | | |
| DCY | | |
| CLAAS | | |
| XERION | 199701 # | |
| 4000 (308 kW) | 01/13 # | |
| 4500 (352 kW) | 01/13 # | |
| 5000 (382 kW) | 01/13 # | |
| CLAYSON | | |
| Combine harvesters | | |
| 8052, 8066 | | |

SILVER *dynamic* AGM - 595 901 085 J38 2

| | | | |
|---------------------------|-----------------|------------------------------|--|
| CLAYSON | | DEUTZ-FAHR | |
| Combine harvesters | | Combine harvesters | |
| TF44, TF46 | | 932 | |
| CONTINENTAL | | 942 | |
| Others | | 1032, 1042, 1052 | |
| CB69, 70 | | 1144, 1157 | |
| CD5, CD7A, TP6 | | 1188H4 | |
| DATSUN | | 2254, 2256, 2258, 2264, 2266 | |
| Trucks | | 330, 430 | |
| QF02, QFG01, diesel | | 500, 580, 600, 650, 680, 690 | |
| DAVID BROWN | | 925, 930, 935 | |
| Rotary snow-plough | | 950, 960, 970 | |
| D, F, 31B, 31F, 34F | | M1250 | |
| DEUTZ-FAHR | | TC 54, 56 | |
| AGROKID | | 952 | |
| | 199609 # | D-Serie | |
| 35 (35 kW) | 09/96 # 12/03 | D 2807 | |
| 35, 45 (26 kW) | 10/96 # 12/03 | D 3607 | |
| 220 (30 kW) | 01/08 # | DX-Serie | |
| 230 (35 kW) | 01/08 # | DX 2.30, DX 2.50, DX 2.70 | |
| D05 | 196501 # | Others | |
| D2505 (16 kW) | 01/65 # | 922, 980 | |
| D3005 (21 kW) | 01/65 # | Intrac 2002, Intrac 2002A | |
| D06 | 196801 # 198212 | DRONNINGBORG | |
| D2506 (16 kW) | 01/68 # | Combine harvesters | |
| D3006, D3006P (22 kW) | 01/68 # | D3000, 3000S | |
| D5006A (35 kW) | 01/68 # 12/74 | EBRO | |
| D5206A (38 kW) | 01/74 # 12/81 | L-Serie | |
| D5506A (38 kW) | 01/69 # 12/75 | L 35 | |
| D07 | 198001 # 198412 | L 35.09 | |
| D2807 (21 kW) | 01/82 # | L 35 S, SF | |
| D3607 (25 kW) | 01/82 # | L 45.08 | |
| D5007 (29 kW) | 01/83 # | L 45, F | |
| DX | 197801 # 199512 | L 50.09 | |
| 3.10 (34 kW) | 01/84 # 12/90 | L 60 | |
| 3.30 (40 kW) | 01/78 # 12/95 | L 60.09 | |
| 3.50 (44 kW) | 01/84 # | L 80 | |
| Combine harvesters | | L 80.09 | |
| 10, 20, 30, 360, 410 | | L 80.14 | |
| 20 | | L 80, F | |
| 2056 | | L 80 Turbo | |
| 955 | | | |

SILVER *dynamic* AGM - 595 901 085 J38 2

| | | | |
|--|-----------------|-------------------------|-----------------|
| EBRO | | FENDT | |
| Others | | Schlepper | |
| 100 / 8D | | 310 Vario (73 kW) | |
| L-Serie | 198205 # 198512 | 311 Vario (84 kW) | |
| 35 (47 kW) | 05/82 # 12/85 | 312 Vario (91 kW) | |
| 45 (55 kW) | 05/82 # 12/85 | 411 Vario (84 kW) | |
| FENDT | | 412 Vario (91 kW) | |
| Vario | 201009 # | 413 Vario (98 kW) | |
| 207, 208 (55 kW) | 09/10 # | 414 Vario (106 kW) | |
| 209, 210 (70 kW) | 09/10 # | 415 Vario (113 kW) | |
| 211 (74 kW) | 09/10 # | 208 Vario (59 kW) | |
| 313 (98 kW) | 09/10 # | 209 Vario (67 kW) | |
| 309 (70 kW) | 10/12 # | 210 Vario (73 kW) | |
| 310 (77 kW) | 10/12 # | 211 Vario (81 kW) | |
| 311 (85 kW) | 10/12 # | 207 V / F (51 kW) | |
| 312 (92 kW) | 10/12 # | 208 V / F (59 kW) | |
| FENDT | | 209 V / F / P (67 kW) | |
| Farmer | | 210 V / F / P (73 kW) | |
| Farmer 103 LS, Farmer 103 S | 01/78 # | 211 V / F / P (81 kW) | |
| Farmer 200 S, Farmer 200 V | | FERRARI AGRICOLA | |
| Farmer 2 DE, Farmer 2 E | | VEGA | 201201 # |
| Farmer 240 S, Farmer 260 P | | 95RS (67 kW) | 01/12 # |
| Farmer 3 S, Farmer 4 S, Farmer 5 S | | 95MT (67 kW) | 01/12 # |
| Farmer 303 LS, Farmer 304 LS | | 95Dualsteer (67 kW) | 01/12 # |
| Farmer 409 Vario | | FIAT | |
| Farmer 410 Vario, 411 Vario | | E | |
| Favorit | | 242 E | |
| Favorit 806, 818, 822, 824 | | 66 | 198501 # 199912 |
| Favorit 916 Vario, 920 Vario, 924 Vario, 926 Vario | | 33-66 (26 kW) | 01/90 # 12/98 |
| Others | | 45-66 (33 kW) | 01/85 # 12/92 |
| 200, 201, 203, 204, 240 | | 55-66 (40 kW) | 01/85 # 12/92 |
| 250, 260, 270, 275, 280, 304 | | 45-66S (33 kW) | 01/96 # 12/99 |
| 304 LSA | | 55-66S (40 kW) | 01/96 # 12/99 |
| 307 | | 65-66 (48 kW) | 01/85 # 12/91 |
| GT345, 360, 365, 380 | | 70-66, 70-66S (51 kW) | 01/85 # 12/99 |
| Schlepper | | 88 | 198901 # 199612 |
| 207 Vario (51 kW) | | 65-88 (48 kW) | 01/89 # 12/93 |
| 307 Ci (65 kW) | | 70-88 (51 kW) | 01/89 # 12/93 |
| 308 Ci (74 kW) | | 80-88 (59 kW) | 01/89 # 12/93 |
| 309 Vario (69 kW) | | 90 | 198401 # 199412 |
| | | 80-90 (59 kW) | 01/84 # 12/92 |
| | | 180-90 (132 kW) | 01/84 # 12/94 |

SILVER *dynamic* AGM - 595 901 085 J38 2

| | | | |
|-----------------------------|-----------------|--------------------------------|-----------------|
| FIAT | | INTERNATIONAL HARV. | |
| 94 | 199301 # 199612 | CM-Series | 196501 # 199612 |
| 60-94 (44 kW) | 01/93 # 12/96 | 745 S (53 kW) | 01/80 # 12/89 |
| 65-94 (48 kW) | 01/93 # 12/96 | 745 SA (53 kW) | 01/80 # 12/89 |
| FORD | | JOHN DEERE | |
| 2000-Serie | | Series 3000 | 199501 # 199812 |
| 2502E, 2503E, 2504E | | 3100 A (41 kW) | 01/95 # 12/98 |
| 3000-Serie | | Series 5 | 200910 # |
| 3435, 3935 | | 5080G (59 kW) | 03/11 # |
| 3830 | | 5080M (59 kW) | 03/11 # |
| 6000-Serie | | 5090G (66 kW) | 03/11 # |
| 6635 | | 5090M, 5095M (66 kW) | 03/11 # |
| Tractors | | 5100M (73 kW) | 03/11 # |
| 65 D | | 5080GF, 5080GV (59 kW) | 10/09 # |
| 65D | | 5080RN (59 kW) | 10/09 # |
| MAJOR 4000 | | 5090GF, 5090GV (66 kW) | 10/09 # |
| FUSO (MITSUBISHI) | | 5090GH (66 kW) | 10/09 # |
| CANTER | 200901 # | 5090RN (66 kW) | 10/09 # |
| 7C15 (110 kW) | 06/13 # | 5100GF, 5100GN, 5100GV (73 kW) | 10/09 # |
| 7C15 Eco Hybrid (110 kW) | 06/13 # | 5100RN (73 kW) | 10/09 # |
| GRUAU | | 5080R (59 kW) | 10/11 # |
| MICROBUS | 200401 # | 5090R (66 kW) | 10/11 # |
| Thermique (110 kW) | 01/04 # | 5100R (73 kW) | 10/11 # |
| HANOMAG HENSCHHEL | | Series 6010 | 199701 # |
| F | | 6610 (84 kW) | 01/97 # 12/03 |
| F 20, 25, 30, 35, 36 Diesel | | 6810 (92 kW) | 01/97 # 12/03 |
| F 20, 25, 30, 35 Diesel | | Series 7000 | 199201 # 199712 |
| HOLDER | | 7800 (125 kW) | 01/92 # 12/97 |
| Others | | Series 7010 | 199701 # 200312 |
| C560 | | 7810 (129 kW) | 01/97 # 12/03 |
| INTERNATIONAL HARV. | | Series 7020 | 200401 # 200712 |
| A-Series | 197301 # 199012 | 7820 (136 kW) | 01/04 # 12/07 |
| 533, 533 E (33 kW) | 01/75 # 12/90 | Series 8000 | 199401 # 199912 |
| 633, 633 E (38 kW) | 01/75 # 12/89 | 8300 (169 kW) | 01/94 # 12/99 |
| 733, 733 E (44 kW) | 01/80 # 12/89 | Series 8010 | 199901 # 200212 |
| 733 A, 733 EA (44 kW) | 01/80 # 12/89 | 8310 (173 kW) | 01/99 # 12/02 |
| 833 A (49 kW) | 01/81 # 12/89 | 8410 (198 kW) | 01/99 # 12/02 |
| 833 E (49 kW) | 01/84 # 12/87 | Series 8020 | 200201 # 200512 |
| 833 EA (49 kW) | 01/84 # 12/87 | 8120 (153 kW) | 01/02 # 12/05 |
| CM-Series | 196501 # 199612 | 8220 (171 kW) | 01/02 # 12/05 |
| 724 A (49 kW) | 01/69 # 12/74 | 8320 (193 kW) | 01/02 # 12/05 |

SILVER *dynamic* AGM - 595 901 085 J38 2

| | | | |
|-----------------------------------|-----------------|-----------------------------|----------|
| JOHN DEERE | | JOHN DEERE | |
| Series 8020 | 200201 # 200512 | Tractors | |
| 8420 (209 kW) | 01/02 # 12/05 | 5320 | |
| JOHN DEERE | | 4400, 4600 | |
| 1000-Serie | | 6205 | |
| 1068, 1177/S11 | | KOMATSU | |
| 2000-Serie | | Kompaktlader | |
| 2955 | | SK1020-5 (51 kW) | |
| 3000-Serie | | Planiertrauen | |
| 3050 | | D31 | |
| 3350 | | Radlader | |
| 4000-Serie | | WA65, 75, 85, 90, 95, 115-3 | |
| 4050 | | KRAMER | |
| 4055 | | Others | |
| 4255 | | 314, 414, 514 | |
| 4350 | | LAMBORGHINI | |
| 4450 | | RF / RS / RV | 200710 # |
| 4840, 4850, | | RF 80 (60 kW) | 10/09 # |
| 4230, 4240 S | 01/89 # | RS 80, RS 90.3 (60 kW) | 10/09 # |
| 6000-Serie | | RF 90, RF 100 (63 kW) | 10/09 # |
| 6000 | | RF 110 (78 kW) | 10/09 # |
| 6650-6950 | | RS 90 (63 kW) | 10/09 # |
| 7000-Serie | | RS 100, RS 110 (71 kW) | 10/09 # |
| 7200-7500 | | SPIRE | 201410 # |
| 8000-Serie | | 80, 80 Target (55 kW) | 10/14 # |
| 8850 | | 90, 90 Target (65 kW) | 10/14 # |
| Combine Harvester | | 90.4, 90.4 Target (65 kW) | 10/14 # |
| 1085, 1085HY4 | | 100.4 (75 kW) | 10/14 # |
| 1155, 1157, 1158 | | STRIKE | 201410 # |
| 1188, 1188H4 | | 80 LD, 90 LD (55 kW) | 10/14 # |
| 2054, 2055, 2058 | | 90 MD (65 kW) | 10/14 # |
| 2064, 2066 | | 90.4 HD (65 kW) | 10/14 # |
| 925, 930, 935, 945, 949, 952, 955 | | 90.4 MD (65 kW) | 10/14 # |
| Hydro 4 | | 100 LD (71 kW) | 10/14 # |
| MD 1032, MD 1042, MD 1052, | | 100 MD (71 kW) | 10/14 # |
| MD 1055 | | 105.04 HD (75 kW) | 10/14 # |
| MD 1085, MD 1188 | | 105.4 MD, 105.4 MD (75 kW) | 10/14 # |
| MD 960, MD 969 | | 105.4 MD, 115.4 MD (75 kW) | 10/14 # |
| 1133 | | 115.4 HD (80 kW) | 10/14 # |
| 2254, 2256, 2258, 2264, 2266 | | Agile | |
| Tractors | | AGILE 660 S | |
| 1850N, 1950N | | | |

SILVER *dynamic* AGM - 595 901 085 J38 2

| | | | |
|---------------------------------|--|------------------------|--|
| LAMBORGHINI | | MAGIRUS-DEUTZ | |
| Agile | | M | |
| AGILE 770 S | | M 120 R 80 | |
| AGILE 880 S | | Others | |
| AGILE 990 S | | 120D11, 120D12, 120D13 | |
| Others | | 130D15K, 130D15AK | |
| 4R | | 130D9, 130D11, 130D13 | |
| 503, 553 | | R | |
| 600, 603, 635, 653DTF, 654, 660 | | 130 R 81 | |
| F | | MASSEY FERGUSON | |
| 674, 674.70, 684 DTF | | MF 5600 | |
| 674-70, 700, 874-90 | | 200401 # | |
| 754 | | 5608, 5609 (62 kW) | |
| 774.8 | | 01/11 # | |
| 854 | | 5610 (77 kW) | |
| CRONO 554-50, 564-60 | | 01/11 # | |
| CRONO 574-70 | | 5611, 5612 (81 kW) | |
| R 483, R 564 DT, R 583, R 603 | | 01/11 # | |
| DF, R 683 | | 5613 (96 kW) | |
| 01/11 # | | MF 8700 | |
| 201311 # | | 8727 (199 kW) | |
| 11/13 # | | 8730 (217 kW) | |
| 11/13 # | | 8732 (235 kW) | |
| 11/13 # | | 8735 (257 kW) | |
| 11/13 # | | 8737 (272 kW) | |
| 11/13 # | | MERCEDES-BENZ | |
| 11/13 # | | O 100 | |
| 11/13 # | | 199401 # | |
| 11/13 # | | City (70 kW) | |
| 11/13 # | | 01/94 # | |
| 11/13 # | | O 309 | |
| 11/13 # | | 196801 # 198902 | |
| 11/13 # | | O 309 B (59 kW) | |
| 11/13 # | | 01/68 # 02/89 | |
| 11/13 # | | O 309 D (40 kW) | |
| 11/13 # | | 01/68 # 12/69 | |
| 11/13 # | | O 309 D (44 kW) | |
| 11/13 # | | 01/68 # 12/74 | |
| 11/13 # | | O 309 D (48 kW) | |
| 11/13 # | | 01/75 # 12/88 | |
| 11/13 # | | O 309 D (63 kW) | |
| 11/13 # | | 01/70 # 02/89 | |
| 11/13 # | | O 309 D (96 kW) | |
| 11/13 # | | 05/77 # 02/89 | |
| 11/13 # | | Tractors | |
| 11/13 # | | 1926 | |
| 11/13 # | | MICHIGAN | |
| 11/13 # | | Others | |
| 11/13 # | | 33C | |
| 11/13 # | | MULTICAR | |
| 11/13 # | | Fumo | |
| 11/13 # | | 200109 # | |
| 11/13 # | | 2,8 (78 kW) | |
| 11/13 # | | 09/01 # | |
| 11/13 # | | 3,0 (75 kW) | |
| 11/13 # | | 09/06 # | |
| LANDINI | | | |
| Series 60 | | 198801 # | |
| 7865, 8865 (54 kW) | | 11/11 # | |
| 8860 (62 kW) | | 03/12 # | |
| 4000-Serie | | | |
| 4500 | | | |
| Atlas | | | |
| ATLAS 90, 100 | | | |
| LEYLAND | | | |
| Others | | | |
| 4/2 | | | |
| LIEBHERR | | | |
| Others | | | |
| 621 | | | |
| 721 | | | |
| 911A | | | |
| MAGIRUS-DEUTZ | | | |
| Bus | | | |
| R80 R81 L81 | | | |

SILVER *dynamic* AGM - 595 901 085 J38 2

| | | |
|---------------------------------|-----------------|----------|
| MULTICAR | | |
| M27 | 201009 # | |
| 2,0 (75 kW) | 09/10 # | |
| Tremo | | 199809 # |
| 601 (62 kW) | 09/98 # | |
| Carrier, Carrier S (63 kW) | 10/04 # | |
| NEUSON | | |
| Allrad-Kipper | | |
| 10001+ (75 kW) | | |
| 6001s (60 kW) | | |
| 9001 (75 kW) | | |
| Kompaktbagger | | |
| 12002 (74 kW) | | |
| NEW HOLLAND | | |
| TL | 199901 # 200312 | |
| TL80 (60 kW) | 01/99 # 12/03 | |
| TL90 (67 kW) | 01/99 # 12/03 | |
| TM | 200009 # 200712 | |
| TM115 (88 kW) | 01/01 # | |
| TM135 (93 kW) | 09/00 # 12/07 | |
| TM150 (110 kW) | 01/02 # 02/07 | |
| TN-A | 200010 # | |
| TN60DA (43 kW) | 01/04 # 12/08 | |
| TN60SA (43 kW) | 01/04 # 12/08 | |
| TN70DA, TN75DA (53 kW) | 01/04 # 12/08 | |
| TN85DA (60 kW) | 01/04 # 12/08 | |
| TN85DA, TN95DA (60 kW) | 01/04 # 12/08 | |
| TN85SA (60 kW) | 01/04 # 12/08 | |
| TN | 199501 # | |
| TN65F (44 kW) | 01/99 # 12/02 | |
| TN90F (66 kW) | 01/99 # 12/01 | |
| TNF-A | 200401 # | |
| TN75FA (54 kW) | 01/04 # | |
| TN85FA (62 kW) | 01/04 # | |
| TN95FA (68 kW) | 01/04 # | |
| TF-Serie | | |
| TF44, TF46 | | |
| TM-Serie | | |
| TM 100, 115, 125, 135, 150, 165 | | |
| Tractors | | |
| 8070 | 01/86 # | |
| NEW HOLLAND | | |
| Tractors | | |
| M100, M115, M135, M160 | | |
| S 1800, 1900, 2200 | | |
| TN 55D, 65D, 75D | | |
| TN 55S, 65S, 75S | | |
| NISSAN | | |
| Others | | |
| ATLEO | 01/99 # | |
| PEGASO | | |
| Others | | |
| 1100, 1101/1 | | |
| 1121, 1126 | | |
| 1130, 1135, 1136 | | |
| 1210/6, 1214, 1215.8, 1215.9, | | |
| 1216 | | |
| 3041, 3045/20, 3045/40, 3050 | | |
| 3560 | | |
| 5068 | | |
| 75 | | |
| COMET1091 | | |
| COMET1098 | | |
| EKUS 100 Turbo | | |
| EKUS 100 Turbo | | |
| J4 1100 | | |
| J4 800 | | |
| RENAULT | | |
| 30-Serie | | |
| 32.50 SV, 50.12, 55.12, 55.14 | | |
| 400-Serie | | |
| 460, 460 S, 461, 461 M, 461 S | | |
| 462, 466 S, 480, 480 S | | |
| 80-Serie | | |
| 80.12 F, 80.14 F | | |
| 90-Serie | | |
| 95-14 | | |
| RENAULT TRUCKS | | |
| Saviem | | |
| TP 3 | | |
| B | 198301 # 199509 | |
| B110-50 | | |

SILVER *dynamic* AGM - 595 901 085 J38 2

| | | | |
|---|------------------------|---------------------------------------|--|
| RENAULT TRUCKS | | SAVA | |
| B | 198301 # 199509 | Others | |
| B110-55 | | J41100 | |
| SAME | | J4700 | |
| DORADO | 199510 # | J4800 | |
| 60 (46 kW) | 09/09 # | SCHAEFF | |
| 70, 80 (55 kW) | 09/09 # | Others | |
| 90 (63 kW) | 09/09 # | HR25, 26, 26A, MNL/HR15 | |
| 90, 100 (63 kW) | 09/09 # | SKL810, KL810 | |
| 80 (55 kW) | 11/13 # | SPERRY NEW HOLLAND | |
| 90 (65 kW) | 11/13 # | Others | |
| 90.4 (65 kW) | 11/13 # | 8030 | |
| 100.4 (75 kW) | 11/13 # | 8040 | |
| EXPLORER | 198310 # | TF 42 | |
| 75 (55 kW) | 10/04 # 12/07 | TF 44 | |
| 85 (63 kW) | 10/04 # 12/07 | TX 36 | |
| 85 (63 kW) | 10/09 # | TX 44, TX 46, TX 56 | |
| 100 (73 kW) | 10/09 # | STEYR | |
| 110 (80 kW) | 03/09 # 12/13 | Others | |
| Aurora-Serie | | 8140, 8150, 8150A, 8165, 8170, | |
| Aurora Vigneto | | 8180 | |
| Dorado-Serie | | D180 | |
| DORADO 55 DT | | M9086, 9094 Base | |
| DORADO 75 DT | | M958 Comfort | |
| DORADO 85DT | | M968 Base | |
| Explorer | | M975 Comfort | |
| Explorer 60, Explorer 60 special | | 9155, 9170, 9190 | |
| Explorer 90 T, 100 T | | STEYR DAIMLER PUCH | |
| Golden | | 11 S-Serie | |
| GOLDEN 60 DT, 65 DT, 75 DT, | | 11 S 14 | |
| 85 DT | | 11 S 18 | |
| Others | | 591-Serie | |
| Antares 100 | | 591.136 | |
| Argon 50, DT, 60, DT, 70, DT | | 691-Serie | |
| Row Crop 90 | | 691.136 | |
| Tractors | | City-Bus | |
| Explorer 55, 60 special, 65, 65 | | SC 6 F 65 | |
| special, 70 special | | Pinzgauer | |
| SAVA | | Turbo D | |
| Others | | | |
| 5720 | | | |
| J41000 | | | |

SILVER *dynamic* AGM - 595 901 085 J38 2

| | |
|----------------------------|-----------------|
| STILL | |
| Trucks | |
| R40, R43 | |
| UNIMOG | |
| Others | |
| T600/421 | |
| URSUS | |
| Others | |
| 203, 204, 205, 208 | |
| 2802, 2812 | |
| 3502, 3512, 3514 | |
| VALMET | |
| Others | |
| 832 | |
| 900, 901 | |
| VW | |
| WORKER | 198103 # |
| 13.170 (125 kW) | 01/04 # |
| 13.190 (137 kW) | 01/12 # |
| 15.190 (137 kW) | 01/12 # |
| 26.260 (206 kW) | 01/12 # |
| 15.210 (151 kW) | 05/07 # |
| 17.190 (137 kW) | 10/13 # |
| 23.230 (243 kW) | 10/13 # |
| 17.230 (165 kW) | 11/13 # |
| YALE | |
| Trucks | |
| GDP040, 050, 060, EPB | |
| GDP070, 080, EPB | |
| GPD110, 140, EPB | |
| ZETOR | |
| 10000-Serie | |
| 10245 | |
| 12111 | |
| 12145, 16111, 16145, 16245 | |
| 11245 | |
| 12145 | |
| 12245 | |
| 12245 | 01/93 # |
| 2000-Serie | |
| 2011,2511 | |

| | |
|------------------------|--|
| ZETOR | |
| 3000-Serie | |
| 3511 | |
| 3545 | |
| 3511, 3545 | |
| 6000-Serie | |
| 6711, 6718, 6745, 6748 | |
| 8000-Serie | |
| 8111 | |
| 8145 | |
| Others | |
| 2011 | |
| 2511 | |
| UTILITY | |
| ZETTELMAYER | |
| ZL | |
| ZL302C, 402C | |
| ZL 500, 501 | |
| ZL501, 601 | |
| ZL602SL, 602 | |