

SILVER *dynamic* AGM - 605 901 095 J38 2

Informations générales

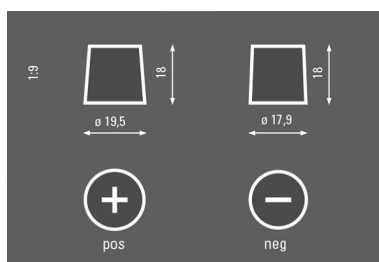
VARTA Références	605 901 095 J38 2
Code ETN	605 901 095
Référence abrégée	A4
Unité d'emballage	1
État de l'article	001

Informations Techniques

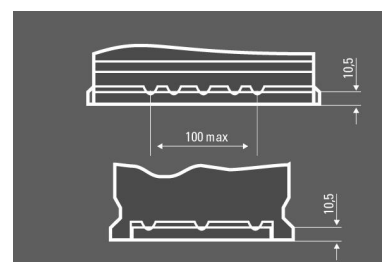
Voltage [V]	12	Longueur [mm]	394
Capacité (Ah)	105	Largeur [mm]	175
Courant d'essai à froid, DIN [A]		Hauteur [mm]	190
Courant d'essai à froid, NE [A]	950	Hauteur de fixation	
Borne	1	Taille de bac	H9/LN6
Rebord de fixation	B13		



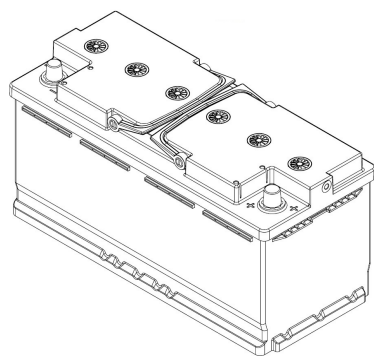
Photo



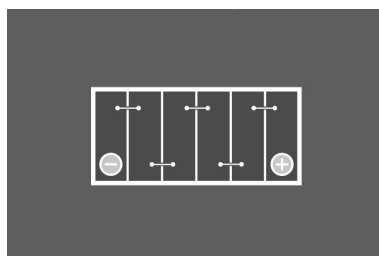
Borne



Listeau



Dessin technique



Disposition pôles

SILVER *dynamic* AGM - 605 901 095 J38 2

ALPINA		ALPINA	
B3 (G20)	09/19 #	XD4 (G02)	07/18 #
BITURBO Traction intégrale (340 kW)		BITURBO Traction intégrale (285 kW)	
B3 Touring (G21)	09/19 #	XB7 (G07)	05/20 #
BITURBO Traction intégrale (340 kW)		BITURBO (457 kW)	
AUDI		AUDI	
B5 (F10)	09/10 # 12/16	A4 B7 (8EC)	11/04 # 06/08
BITURBO (441 kW)		RS4 quattro (309 kW)	
B5 Break (F11)	09/10 # 12/16	A4 B7 Avant (8ED)	11/04 # 06/08
BITURBO (441 kW)		RS4 quattro (309 kW)	
B5 (G30)	03/17 #	A4 B8 (8K2)	08/07 # 09/16
BITURBO (447 kW)		3.0 TDI quattro (176 kW)	
B5 Touring (G31)	03/17 #	A4 B8 Avant (8K5)	11/07 # 12/15
BITURBO (447 kW)		1.8 TFSI (88 kW)	
B6 Coupé (F13)	09/11 # 03/16	1.8 TFSI quattro (125 kW)	
BITURBO (441 kW)		2.0 TDI (130/105/125/88 kW)	
B6 Décapotable (F12)	09/11 # 03/16	3.0 TDI quattro (180/176 kW)	
BITURBO (441 kW)		3.0 TDI (150 kW)	
B6 Gran Coupe (F06)	04/14 # 03/16	2.0 TFSI (155 kW)	
BITURBO Traction intégrale (397 kW)		2.0 TFSI quattro (155 kW)	
B7 (E65)	12/03 # 12/08	2.0 TDI quattro (105 kW)	
4.4 (368 kW)		RS4 quattro (331 kW)	
B7 (F01, F02)	03/09 # 01/16	A4 Allroad B8 (8KH)	04/09 # 05/16
BITURBO (373 kW)		2.0 TDI quattro (100 kW)	
BITURBO Traction intégrale (373 kW)		3.0 TDI quattro (176 kW)	
B7 (G12)	02/16 #	A4 B9 Avant (8W5, 8WD)	08/15 #
BITURBO Propulsion (447 kW)		RS4 quattro (331 kW)	
BITURBO Traction intégrale (447 kW)		A5 (8T3)	06/07 # 01/17
D3 (G20)	05/20 #	1.8 TFSI (125 kW)	
S (261 kW)		3.2 FSI (195 kW)	
D3 Touring (G21)	05/20 #	S5 quattro (260 kW)	
S (261 kW)		2.7 TDI (140/120 kW)	
D4 Décapotable (F33)	09/14 #	3.0 TDI quattro (176/155/160 kW)	
BITURBO (257 kW)		3.2 FSI quattro (195 kW)	
XD3 (G01)	07/18 #	2.0 TFSI (132 kW)	
BITURBO Traction intégrale (245 kW)		2.0 TDI quattro (125 kW)	
		A5 Sportback (8TA)	07/07 # 01/17
		1.8 TFSI (106 kW)	
		2.0 TFSI (132/155 kW)	
		2.0 TFSI quattro (155 kW)	
		2.0 TDI (125 kW)	

SILVER *dynamic* AGM - 605 901 095 J38 2

AUDI		AUDI	
A5 Sportback (8TA)	07/07 # 01/17	A6 C8 (4A2)	02/18 #
3.0 TDI quattro (176/160 kW)		kW)	
A5 Décapotable (8F7)	02/09 # 01/17	55 TFSi Mild Hybrid quattro (250 kW)	
2.0 TFSI (155 kW)		40 TDI Mild Hybrid (150 kW)	
2.0 TFSI quattro (155 kW)		35 TDI Mild Hybrid (120 kW)	
3.0 TDI quattro (176/160 kW)		50 TFSI e quattro (220 kW)	
A5 (F53, F5P)	06/16 #	55 TFSI e quattro (185/270 kW)	
RS5 quattro (331 kW)		30 TDI Mild Hybrid (100 kW)	
A5 Sportback (F5A, F5F)	06/16 #	A6 C8 Avant (4A5)	05/18 #
RS5 quattro (331 kW)		45 TFSI Mild Hybrid (180 kW)	
A6 C5 (4B2)	01/97 # 12/05	55 TFSI Mild Hybrid quattro (250 kW)	
RS6 quattro (331 kW)		45 TDI Mild Hybrid quattro (170/155 kW)	
A6 C5 Avant (4B5)	11/97 # 01/05	50 TDI Mild Hybrid quattro (210 kW)	
RS6 quattro (331 kW)		40 TDI Mild Hybrid (150 kW)	
RS6 plus quattro (353 kW)		40 TDI Mild Hybrid quattro (150 kW)	
A6 C6 (4F2)	04/04 # 08/11	45 TFSI Mild Hybrid quattro (180 kW)	
RS6 quattro (426 kW)		35 TDI Mild Hybrid (120 kW)	
A6 C6 Avant (4F5)	11/04 # 08/11	55 TFSI e quattro (270 kW)	
RS6 quattro (426 kW)		30 TDI Mild Hybrid (100 kW)	
2.0 TDI (100 kW)		A7 Sportback (4GA, 4GF)	07/10 # 05/18
A6 C7 (4G2, 4GC)	11/10 # 09/18	S7 quattro (309 kW)	
S6 quattro (309 kW)		3.0 TDI (150/160/155 kW)	
3.0 TDI quattro (176/200/235/240 kW)		3.0 TDI quattro	
A6 C7 Avant (4G5, 4GD)	05/11 # 09/18	(150/230/180/176/160/200/235/155/240/140 kW)	
S6 quattro (309 kW)		RS7 quattro (412 kW)	
3.0 TDI (150 kW)		A7 Sportback (4KA)	10/17 #
3.0 TDI quattro		45 TFSI Mild Hybrid (180 kW)	
(150/180/230/200/235/240 kW)		55 TFSI Mild Hybrid quattro (250 kW)	
RS6 quattro (412 kW)		50 TDI Mild Hybrid quattro (210 kW)	
A6 Allroad C7 (4GH, 4GJ)	01/12 # 09/18	45 TDI Mild Hybrid quattro (170 kW)	
3.0 TDI quattro (230 kW)		40 TDI Mild Hybrid (150 kW)	
A6 C8 (4A2)	02/18 #	45 TFSI Mild hybrid quattro (180 kW)	
45 TFSI Mild Hybrid (180 kW)			
40 TDI Mild Hybrid quattro (150 kW)			
45 TFSI Mild Hybrid quattro (180 kW)			
45 TDI Mild Hybrid quattro (170/155 kW)			
50 TDI Mild Hybrid quattro (210 kW)			

SILVER *dynamic* AGM - 605 901 095 J38 2

AUDI		AUDI	
A7 Sportback (4KA)	10/17 #	Q7 (4LB)	03/06 # 01/16
40 TDI Mild Hybrid quattro (150 kW)		3.0 TFSI quattro (200 kW)	
50 TFSI e quattro (220 kW)		3.0 TDI quattro (165/180/171/155/176/150 kW)	
55 TFSI e quattro (270 kW)		4.2 FSI quattro (257 kW)	
A8 D2 (4D2, 4D8)	03/94 # 12/05	3.6 FSI quattro (206 kW)	
3.7 (191 kW)		4.2 TDI quattro (240/250 kW)	
A8 D3 (4E2, 4E8)	10/02 # 12/10	6.0 TDI quattro (368 kW)	
3.0 quattro (160 kW)		4.2 quattro (231 kW)	
4.2 quattro (246 kW)		Q7 (4MB, 4MG)	01/15 #
3.0 (162 kW)		2.0 TFSI e-tron quattro (270 kW)	
S8 quattro (331/324 kW)		60 TFSI e quattro (335/250 kW)	
4.2 FSI quattro (257 kW)		55 TFSI Mild Hybrid quattro (250 kW)	
A8 D4 (4H2, 4H8, 4HC, 4HL)	11/09 # 01/18	55 TFSI e quattro (280 kW)	
2.0 TFSI hybrid (180 kW)		3.0 TDI quattro (155 kW)	
50 TDI quattro (210 kW)		SQ7 TDI quattro (320 kW)	
55 TFSI quattro (250 kW)		3.0 TDI e-tron quattro (275 kW)	
6.3 W12 quattro (368 kW)		Q8 (4MN)	02/18 #
3.0 TFSI quattro (245/228/213 kW)		55 TFSI Mild Hybrid quattro (250 kW)	
3.0 TDI (150 kW)		50 TDI Mild Hybrid quattro (210 kW)	
3.0 TDI quattro (155/184/190/176/193 kW)		45 TDI Mild Hybrid quattro (170 kW)	
S8 quattro (382 kW)		45 TDI quattro (183 kW)	
4.0 TFSI quattro (309/320 kW)		SQ8 TDI Mild Hybrid quattro (320 kW)	
4.2 FSI quattro (273 kW)		SQ8 quattro (373 kW)	
4.2 TDI quattro (258/283 kW)		RS Mild Hybrid quattro (441 kW)	
2.5 TFSI (150 kW)		R8 (422, 423)	04/07 # 07/15
S8 plus quattro (445 kW)		4.2 FSI quattro (309 kW)	
A8 D5 (4N2, 4N8, 4NC, 4NL)	06/17 #	5.2 FSI quattro (412/404/386/419 kW)	
60 TFSI e quattro (250 kW)		R8 Spyder (427, 429)	02/10 # 07/15
45 TDI quattro (183 kW)		4.2 FSI quattro (316 kW)	
Q5 (8RB)	11/08 # 12/17	5.2 FSI quattro (412/386 kW)	
2.0 TFSI quattro (155 kW)		BENTLEY	
3.0 TDI quattro (176/155 kW)		BENTAYGA (4V1)	10/15 #
SQ5 TDI quattro (230/240/250 kW)		4.0 (404 kW)	
2.0 TFSI Hybrid quattro (180 kW)		6.0 (447/467 kW)	
SQ5 TFSI quattro (260 kW)		4.0 D (320 kW)	
Q5 (FYB, FYG)	05/16 #		
50 TFSI e quattro (220 kW)			
55 TFSI e quattro (270/185 kW)			

SILVER *dynamic* AGM - 605 901 095 J38 2

BENTLEY		
BENTAYGA (4V1)	10/15 #	
4.0 TDI (310 kW)		
3.0 Hybrid (250 kW)		
CONTINENTAL Décapotable (3S_)	12/18 #	
6.0 AWD (467 kW)		
FLYING SPUR (ZG2_)	04/19 #	
6.0 W12 TSI 4WD (467 kW)		
BMW		
3 (G20, G80, G28)	11/18 #	
330 e Plug-in-Hybrid (135 kW)		
320 i (135 kW)		
320 i 1.6 (125 kW)		
330 i (190 kW)		
M 340 i xDrive (275 kW)		
320 i xDrive (135 kW)		
330 i xDrive (190 kW)		
320 d xDrive (140/120 kW)		
320 d (120/140 kW)		
318 d (110/100 kW)		
330 d (195 kW)		
330 d xDrive (195 kW)		
330 e Plug-in-Hybrid xDrive (135 kW)		
318 i (115 kW)		
316 d (90 kW)		
M340 d Mild-Hybrid xDrive (250 kW)		
M 340 i xDrive (285 kW)		
3 Touring (G21, G81)	07/19 #	
330 e Plug-in-Hybrid (135 kW)		
320 i (135 kW)		
330 i (190 kW)		
330 i xDrive (190 kW)		
M 340 i xDrive (275 kW)		
318 d (100/110 kW)		
320 d (120/140 kW)		
330 d xDrive (195 kW)		
320 d xDrive (120/140 kW)		
330 e Plug-in-Hybrid xDrive (135 kW)		
330 d (195 kW)		
BMW		
3 Touring (G21, G81)	07/19 #	
318 i (115 kW)		
320 d Mild-Hybrid xDrive (120/140 kW)		
M 340 d Mild-Hybrid xDrive (250 kW)		
3 Touring Van (G21)	07/19 #	
320 i (135 kW)		
M 340 i xDrive (275 kW)		
330 d (195 kW)		
330 i (190 kW)		
320 d (140 kW)		
320 d Mild-Hybrid xDrive (140 kW)		
320 d xDrive (140 kW)		
330 d xDrive (195 kW)		
4 Coupé (G22, G82)	07/20 #	
420 i (135 kW)		
M 440 i Mild-Hybrid xDrive (285 kW)		
430 i (190 kW)		
5 (E39)	09/95 # 07/03	
M5 (294 kW)		
5 (E60)	12/01 # 03/10	
528 i (172 kW)		
540 i (225 kW)		
530 d (160/173/155 kW)		
545 i (245 kW)		
525 d (130/120/145 kW)		
M5 (373 kW)		
535 d (200/210 kW)		
550 i (270 kW)		
530 xd (170/173 kW)		
525 d xDrive (145 kW)		
530 d xDrive (173 kW)		
5 Touring (E61)	03/04 # 12/10	
545 i (245 kW)		
530 d (160/170/173 kW)		
525 d (130/120 kW)		
535 d (200/210 kW)		
550 i (270 kW)		
530 xd (170/173 kW)		

SILVER *dynamic* AGM - 605 901 095 J38 2

BMW		BMW	
5 Touring (E61)	03/04 # 12/10	5 Touring (F11)	11/09 # 02/17
M5 (373 kW)		M 550 d xDrive (280 kW)	
530 d xDrive (173 kW)		528 i (180/190 kW)	
5 Gran Turismo (F07)	01/09 # 02/17	528 i xDrive (180 kW)	
528 i (180 kW)		530 i (200/190 kW)	
535 d (225/220/230 kW)		550 i (300/330 kW)	
535 d xDrive (225/220/230 kW)		525 d (160/150/155 kW)	
530 d (155/180 kW)		525 d xDrive (160/155 kW)	
535 i (225 kW)		530 d (190/180/210 kW)	
550 i (300/330 kW)		530 d xDrive (190/210 kW)	
535 i xDrive (225 kW)		535 d xDrive (230 kW)	
550 i xDrive (300/330 kW)		535 i xDrive (225/240 kW)	
530 d xDrive (180 kW)		523 i (150/150 kW)	
520 d (135/120/100 kW)		535 i (225/240 kW)	
5 (F10)	01/09 # 10/16	520 d xDrive (135/140/120 kW)	
520 i (125 kW)		518 d (105/110/100/120 kW)	
523 i (160/150/150/155 kW)		5 (G30, F90)	09/16 #
525 d xDrive (155/160 kW)		530 e Plug-in-Hybrid (120 kW)	
525 d (155/160/150 kW)		530 e Plug-in-Hybrid xDrive (200/135/185/120 kW)	
530 d (210/190/180 kW)		530 i xDrive (183 kW)	
M5 Competition (423 kW)		520 i Mild-Hybrid (135/120 kW)	
M 550 d xDrive (280 kW)		520 E PLUG-IN-HYBRID (120 kW)	
528 i (180/190 kW)		520 d Mild-Hybrid (140/120 kW)	
528 i xDrive (180 kW)		520 d Mild-Hybrid xDrive (140 kW)	
530 i (200/190 kW)		530 i Mild-Hybrid (185 kW)	
530 d xDrive (190/210 kW)		530 i Mild-Hybrid xDrive (185 kW)	
535 d (230/220 kW)		540 i Mild-Hybrid (245 kW)	
535 d xDrive (230 kW)		540 i Mild-Hybrid xDrive (245 kW)	
ActiveHybrid (250/225 kW)		530 d Mild-Hybrid (210/183 kW)	
M5 (412 kW)		530 d Mild-Hybrid xDrive (210/183 kW)	
535 i (225/240 kW)		540 d Mild-Hybrid xDrive (250 kW)	
550 i (300/330 kW)		518 d Mild-Hybrid (100/110 kW)	
520 d (135/140/120 kW)		M 550 i xDrive (390 kW)	
550 i xDrive (300/330 kW)		5 Touring (G31)	03/17 #
520 d xDrive (135/140/120 kW)		520 i Mild-Hybrid (120 kW)	
518 d (105/110/100 kW)		530 d Mild-Hybrid (183/210 kW)	
M5 30th Anniversary (441 kW)		530 d Mild-Hybrid xDrive (183/210 kW)	
535 i xDrive (240 kW)			
5 Touring (F11)	11/09 # 02/17		
520 i (120 kW)			
535 d (225/230/220 kW)			
520 d (155/135/140/120 kW)			

SILVER *dynamic* AGM - 605 901 095 J38 2

BMW		BMW	
5 Touring (G31)	03/17 #	6 Coupé (F13)	07/11 # 10/17
520 d Mild-Hybrid (140/120 kW)		650 i xDrive (300/330 kW)	
530 i Mild-Hybrid (185 kW)		640 d (230 kW)	
518 d Mild-Hybrid (100/110 kW)		640 i xDrive (235 kW)	
520 d Mild-Hybrid xDrive (140 kW)		M6 Competition (423/441 kW)	
530 i Mild-Hybrid xDrive (185 kW)		6 Gran Coupe (F06)	03/12 # 10/18
540 i Mild-Hybrid xDrive (245 kW)		640 i (235 kW)	
540 d Mild-Hybrid xDrive (250 kW)		650 i (330 kW)	
5 Touring Van (G31)	03/17 #	650 i xDrive (330 kW)	
520 i (135 kW)		640 d (230 kW)	
520 d (140 kW)		640 i xDrive (235 kW)	
520 d xDrive (140 kW)		640 d xDrive (230 kW)	
530 d (195 kW)		M6 (412 kW)	
530 d xDrive (195 kW)		M6 Competition (423/441 kW)	
530 i (185 kW)		6 Gran Turismo (G32)	06/17 #
530 i xDrive (185 kW)		630 i (183 kW)	
540 d xDrive (235 kW)		630 i xDrive (190 kW)	
540 i xDrive (250 kW)		630 i Mild-Hybrid (190 kW)	
6 (E63)	09/03 # 12/10	640 i Mild-Hybrid (245 kW)	
630 i (190 kW)		640 i Mild-Hybrid xDrive (245 kW)	
645 Ci (245 kW)		620 d Mild-Hybrid (140/120 kW)	
M (373 kW)		630 d Mild-Hybrid (210/155 kW)	
6 Décapotable (E64)	03/04 # 12/10	630 d Mild-Hybrid xDrive (210 kW)	
630 i (190 kW)		640 d Mild-Hybrid xDrive (250 kW)	
645 Ci (245 kW)		620 d Mild-Hybrid xDrive (140 kW)	
M6 (373 kW)		630 i (190 kW)	
6 Décapotable (F12)	12/10 # 06/18	640 i (250/265 kW)	
640 i (235 kW)		640 i xDrive (250/265 kW)	
640 d xDrive (230 kW)		630 d (195/155 kW)	
M6 (412 kW)		630 d xDrive (183/195/155 kW)	
650 i (300/330 kW)		620 d (140/120 kW)	
640 d (230 kW)		620 d xDrive (140/120 kW)	
650 i xDrive (300/330 kW)		640 d xDrive (235 kW)	
640 i xDrive (235 kW)		7 (E65, E66, E67)	07/01 # 12/09
M6 Competition (423/441 kW)		745 d (220 kW)	
6 Coupé (F13)	07/11 # 10/17	7 (F01, F02, F03, F04)	02/08 # 12/15
640 i (235 kW)		ActiveHybrid 7 (330 kW)	
M6 (412 kW)		740 d xDrive (225/230 kW)	
640 d xDrive (230 kW)		730 i, Li (190 kW)	
650 i (300/330 kW)			

SILVER *dynamic* AGM - 605 901 095 J38 2

BMW		BMW	
7 (F01, F02, F03, F04)	02/08 # 12/15	8 Gran Coupe (G16, F93)	07/19 #
740 i, Li (240/235 kW)		840 i (250 kW)	
750 i, Li (300/330 kW)		840 i xDrive (250 kW)	
750 i, Li xDrive (300/330 kW)		M 850 i xDrive (390 kW)	
760 i, Li (400 kW)		840 d xDrive (235 kW)	
740 d (225/230 kW)		8 Décapotable (G14, F91)	11/18 #
730 d (190 kW)		840 i (250 kW)	
730 d xDrive (190/155 kW)		M 850 i xDrive (390 kW)	
750 d xDrive (280 kW)		840 i xDrive (250 kW)	
750 i (331 kW)		840 d xDrive (235 kW)	
740 i, Li xDrive (235 kW)		X3 (F25)	09/10 # 08/17
7 (G11, G12)	07/15 #	sDrive 20 i (135 kW)	
740 e, Le (190 kW)		xDrive 35 d (230 kW)	
730 i, Li (195/190 kW)		xDrive 20 i (135 kW)	
740 i, Li (240/250 kW)		xDrive 20 d (120/140 kW)	
750 i, Li xDrive (330/390 kW)		sDrive 18 d (110 kW)	
750 i, Li (330 kW)		X3 (G01, F97)	07/17 #
740 Li xDrive (240/250 kW)		xDrive 30 e Plug-in-Hybrid (135 kW)	
740 Le xDrive (240/190 kW)		xDrive 20 i (135 kW)	
M 760 i, Li xDrive (448 kW)		xDrive M40 i (265/260 kW)	
750 d, Ld xDrive (294 kW)		xDrive 20 d (140/120 kW)	
725 d, Ld (170/155 kW)		xDrive 30 i (185 kW)	
M 760 Li xDrive (430 kW)		xDrive 30d (195/183 kW)	
730 d (195/155 kW)		sDrive 20 i (135 kW)	
730 d, Ld xDrive (195 kW)		sDrive 20 i 1.6 (125 kW)	
730 d xDrive (155 kW)		xDrive 25 d (170 kW)	
740 d, Ld xDrive (235 kW)		xDrive M40 d (240 kW)	
730 i (183 kW)		M (353 kW)	
730 d, Ld Mild-Hybrid (210 kW)		M Competition (375 kW)	
750 Li xDrive (330 kW)		xDrive 30 i (183 kW)	
730 d, Ld xDrive (183 kW)		xDrive 20 d Mild-Hybrid (120/140 kW)	
730 d Mild-Hybrid xDrive (155 kW)		xDrive 30d Mild-Hybrid (183 kW)	
730 d, Ld Mild-Hybrid xDrive (210/183 kW)		xDrive M40 d Mild-Hybrid (250 kW)	
740 d, Ld Mild-Hybrid xDrive (250 kW)		xDrive M40 i (285 kW)	
8 Coupé (G15, F92)	07/18 #	sDrive 18 d Mild-Hybrid (100/110 kW)	
840 i (250 kW)		X3 Van (G01)	07/17 #
M 850 i xDrive (390 kW)		xDrive 20 i (135 kW)	
840 d xDrive (235 kW)		sDrive 18 d (110 kW)	
840 i xDrive (250 kW)			

SILVER *dynamic* AGM - 605 901 095 J38 2

BMW		BMW	
X3 Van (G01)	07/17 #	X5 (E70)	02/06 # 07/13
xDrive 30 i (185 kW)		M 50 d (280 kW)	
xDrive M40 i (265/285 kW)		xDrive 40 i (225 kW)	
xDrive 20 d (140 kW)		xDrive 30 i (194 kW)	
xDrive 30 d (195 kW)		X5 (F15, F85)	08/13 # 07/18
X4 (F26)	05/13 # 03/18	xDrive 50 i (330 kW)	
xDrive 20 i (135 kW)		M 50 d (280 kW)	
xDrive 28 i (180 kW)		xDrive 30 d (190/204/183/210 kW)	
xDrive 35 i (225 kW)		sDrive 25 d (160/170/155 kW)	
xDrive 20 d (140/120 kW)		xDrive 25 d (160/170/155/160 kW)	
xDrive 30 d (190/155/210/183/204 kW)		xDrive 40 d (230 kW)	
xDrive 35 d (230 kW)		M (423 kW)	
M 40 i (265 kW)		X5 (G05, F95)	08/18 #
X4 (G02, F98)	04/18 #	xDrive 40 i (250 kW)	
xDrive 20 i (135 kW)		xDrive 30 d (195/183 kW)	
M (353 kW)		xDrive 25 d (170 kW)	
M40 i xDrive (265/260 kW)		xDrive M 50 d (294 kW)	
xDrive 30 i (185 kW)		xDrive 50 i (340 kW)	
xDrive 20 d (140 kW)		M50 i xDrive (390 kW)	
xDrive 25 d (155/170 kW)		xDrive 25 d (155 kW)	
xDrive 20 d xDrive (120 kW)		M (441 kW)	
xDrive 30 d (183/195 kW)		M Competition (460 kW)	
M Competition (375 kW)		xDrive 40 d Mild-Hybrid (250 kW)	
M40 d xDrive (240 kW)		xDrive 30 d Mild-Hybrid (183/210 kW)	
xDrive 30 i (183 kW)		X5 Van (G05)	11/19 #
xDrive 20 d Mild-Hybrid (120/140 kW)		xDrive 40 i (250 kW)	
xDrive 30 d Mild-Hybrid (183 kW)		xDrive 30 d (195 kW)	
M40 d Mild-Hybrid xDrive (250 kW)		X6 (E71, E72)	06/07 # 07/14
X5 (E70)	02/06 # 07/13	M (408 kW)	
xDrive 30 i (171 kW)		M 50 d (280 kW)	
xDrive 40 d (225 kW)		X6 (F16, F86)	08/14 # 07/19
xDrive 35 i (225/235 kW)		xDrive 28 i (180 kW)	
xDrive 50 i (300 kW)		xDrive 35 i (225 kW)	
3.0 sd (210 kW)		xDrive 50 i (330 kW)	
xDrive 48 i (261 kW)		M 50 d (280 kW)	
xDrive 30 d (173 kW)		xDrive 40 d (230 kW)	
xDrive 35 d (210 kW)		M (423 kW)	
M (408 kW)		xDrive 30 d (183 kW)	
3.0 3.0d (155 kW)			

SILVER *dynamic* AGM - 605 901 095 J38 2

BMW		CITROËN	
X6 (G06, F96)	08/19 #	JUMPER Camionnette	04/06 #
xDrive 40 i (250 kW)		2.2 HDi 150 (110 kW)	
M50 i xDrive (390 kW)		3.0 HDi 160 (116 kW)	
xDrive 30 d (195/183/155 kW)		3.0 HDi 145 (107 kW)	
xDrive M 50 d (294 kW)		3.0 HDi 155 (115 kW)	
M (441 kW)		2.0 BlueHDi 160 4x4 (120 kW)	
M Competition (460 kW)		2.0 BlueHDi 130 (96 kW)	
xDrive 40 d Mild-Hybrid (250 kW)		2.0 BlueHDi 160 (120 kW)	
xDrive 30 d Mild-Hybrid (183/210/155 kW)		2.0 BlueHDi 130 4x4 (96 kW)	
X7 (G07)	03/19 #	2.2 HDi 130 4x4 (96 kW)	
xDrive 40 i (250 kW)		2.2 BlueHDi 140 (103 kW)	
xDrive 30 d (195/155/183 kW)		2.2 BlueHDi 120 (88 kW)	
xDrive M 50 d (294 kW)		2.2 BlueHDi 165 (121 kW)	
xDrive M 50 i (390 kW)		JUMPER Camion	04/06 #
xDrive 40 d Mild-Hybrid (250/155 kW)		plate-forme/Châssis	
Z4 Roadster (G29)	11/18 #	2.0 BlueHDi 110 (81 kW)	
M40 i (250 kW)		2.2 HDi 130 (96 kW)	
BMW (BRILLIANCE)		2.2 HDi 150 (110 kW)	
X3 (G08)	04/18 #	3.0 HDi 180 (130 kW)	
25 i xDrive (135 kW)		3.0 HDi 160 (116 kW)	
30 i xDrive (185 kW)		3.0 HDi 145 (107 kW)	
28 i xDrive (165 kW)		2.0 BlueHDi 130 (96 kW)	
CITROËN		2.0 BlueHDi 160 (120 kW)	
JUMPER Autobus/Autocar	04/06 #	2.0 BlueHDi 160 4x4 (120 kW)	
2.0 BlueHDi 110 (81 kW)		2.0 BlueHDi 130 4x4 (96 kW)	
2.2 HDi 130 (96 kW)		2.2 BlueHDi 120 (88 kW)	
2.2 HDi 150 (110 kW)		2.2 BlueHDi 140 (103 kW)	
3.0 HDi 180 (130 kW)		2.2 BlueHDi 165 (121 kW)	
3.0 HDi 160 (116 kW)		FIAT	
3.0 HDi 155 (115 kW)		DUCATO Autobus/Autocar (250_) 07/06 #	
2.0 BlueHDi 130 (96 kW)		110 Multijet 2,3 D (82 kW)	
2.0 BlueHDi 160 (120 kW)		180 Multijet 2,3 D (130 kW)	
2.2 BlueHDi 120 (88 kW)		140 Multijet 3,0 D (103 kW)	
2.2 BlueHDi 140 (103 kW)		150 Multijet 3,0 D (107 kW)	
2.2 BlueHDi 165 (121 kW)		180 Multijet 3,0 D (130 kW)	
JUMPER Camionnette	04/06 #	160 Multijet 3,0 D (116/115 kW)	
2.0 BlueHDi 110 (81 kW)		160 Multijet 3,0 D 4x4 (116 kW)	
3.0 HDi 180 (130 kW)		130 Multijet 2,3 D 4x4 (96 kW)	
2.2 HDi 130 (96 kW)		150 Multijet 2,3 D (110 kW)	
		150 Multijet 2,3 D 4x4 (110 kW)	
		140 Multijet 2,3 D (103 kW)	
		180 Multijet 2,3 D (130 kW)	

SILVER *dynamic* AGM - 605 901 095 J38 2

FIAT		
DUCATO Autobus/Autocar (250_)	07/06 #	
160 Multijet 2,3 D (118 kW)		
DUCATO Camionnette (250_)	07/06 #	
110 Multijet 2,3 D (82 kW)		
140 Multijet 3,0 D (103 kW)		
180 Multijet 2,3 D (130 kW)		
150 Multijet 2,3 D (110 kW)		
130 Multijet 2,3 D 4x4 (96 kW)		
150 Multijet 2,3 D 4x4 (110 kW)		
160 Multijet 3,0 D 4x4 (116 kW)		
140 Multijet 2,3 D (103 kW)		
160 Multijet 2,3 D (118 kW)		
DUCATO Camion	07/06 #	
plate-forme/Châssis (250_)		
140 Multijet 2,3 D (103 kW)		
160 Multijet 2,3 D (118 kW)		
140 Multijet 3,0 D (103 kW)		
180 Multijet 3,0 D (130 kW)		
150 Multijet 2,3 D (110 kW)		
180 Multijet 2,3 D (130 kW)		
160 Multijet 3,0 D (116 kW)		
GENESIS		
G80 (DH)	09/16 #	
3.8 GDI (232 kW)		
5.0 GDI (299 kW)		
G90/G90L (HI)	12/15 #	
3.3 T GDI (272 kW)		
5.0 GDI (304 kW)		
5.0 GDI AWD (304/313 kW)		
3.8 GDi (227 kW)		
3.3 T GDI AWD (272 kW)		
3.8 GDI (226 kW)		
3.8 GDI AWD (226 kW)		
3.8 GDi 4WD (227 kW)		
HYUNDAI		
H350 Autobus/Autocar	04/15 #	
2.5 CRDI (110 kW)		
H350 Camionnette	04/15 #	
2.5 CRDI (110 kW)		
HYUNDAI		
H350 Camion	04/15 #	
plate-forme/Châssis		
2.5 CRDI (125 kW)		
IVECO		
DAILY V Camionnette	09/11 # 02/14	
Natural Power 35S14, 35C14, 40C14, 50C14, 65C14, 70C14 (100 kW)		
DAILY V Camion	09/11 # 02/14	
plate-forme/Châssis		
NaturalPower 35S14, 35C14, 40C14, 50C14, 60C14, 65C14,... (100 kW)		
55S17W 4x4 (125 kW)		
DAILY VI Camionnette	03/14 #	
35S60E (60 kW)		
45C80E, 50C80E (80 kW)		
33S12, 35S12, 35C12 (85 kW)		
33S14, 35S14, 35C14 (100 kW)		
33S16, 35S16, 35C16, 40C16, 50C16 (115 kW)		
35S15, 35C15, 40C15, 50C15, 60C15, 65C15, 70C15 (110 kW)		
35S18, 35C18, 40C18, 50C18, 60C18, 65C18, 70C18 (132 kW)		
DAILY VI Camionnette	03/14 #	
35S/E (60 kW)		
35S15, 35C15, 40C15, 50C15 (110 kW)		
33S14, 35S14 (100 kW)		
33S16, 35S16 (115 kW)		
45C/E, 50C/E (80 kW)		
35S18, 35C18, 40C18, 50C18 (132 kW)		
33S12, 35S12 (85 kW)		
Natural Power 35S14, 35C14, 40C14, 50C14 (100 kW)		
40C15, 50C15, 65C15 (107 kW)		
40C17, 50C17, 65C17 (125 kW)		
DAILY VI Camion	03/14 #	
plate-forme/Châssis		
35S60E, 35C60E (60 kW)		

SILVER *dynamic* AGM - 605 901 095 J38 2

IVECO	
DAILY VI Camion plate-forme/Châssis	03/14 #
33S14, 35S14, 35C14 (100 kW) 33S16, 35S16, 35C16, 40C16, 50C16 (115 kW) 45C80E, 50C80E (80 kW) 33S12, 35S12, 35C12 (85 kW) 35S17, 55S17 4x4 (125 kW) 35S15, 35C15, 40C15, 50C15, 60C15, 65C15, 70C15 (110 kW) 35S18, 35C18, 40C18, 50C18, 60C18, 65C18, 70C18 (132 kW) 35S18, 55S18, 55C18, 70S18, 70C18 4x4 (132 kW)	
DAILY VI Autobus/Autocar	03/14 #
50C80E (80 kW) 40C15, 50C15, 60C15 (110 kW) NaturalPower 40C14, 50C14, 60C14 (100 kW) 40C18, 50C18, 60C18 (132 kW)	
DAILY LINE Autobus/Autocar	06/14 #
50C80E (80 kW)	
DAILY TOURYS Autobus/Autocar	06/14 #
50C18, 65C18 (132 kW)	
JEEP	
CHEROKEE (KL)	06/13 #
2.0 T-GDi 4x4 (200 kW) 2.0 CRD 4x4 (125/103/125 kW) 2.0 CRD (103 kW) 2.2 CRD 4x4 (143 kW) 2.2 CRD (143/110 kW)	
LEXUS	
GX (URJ15_, GRJ15_)	11/09 #
460 4WD (218 kW)	
MARTIN MOTORS	
CEO	01/07 #
2.4 LPG (93 kW) 2.4 LPG 4x4 (93 kW)	
MERCEDES-BENZ	
CLASSE S (W222, V222, X222)	05/13 #
S 320 (200 kW)	
MERCEDES-BENZ	
CLASSE S (W222, V222, X222)	05/13 #
S 600 Maybach (390 kW) S 560 Maybach (345 kW) S 500 4-matic (335/320 kW) S 350 BlueTEC / d (190 kW) S 500 (335/320 kW) S 350 BlueTEC / d 4-matic (190 kW) S 600 (390 kW) S 500 Maybach (335 kW) S 500 Maybach 4-matic (335 kW) S 400 (245 kW) S 350 d 4-matic (210/183 kW) S 400 d 4-matic (250 kW) S 560 4-matic (345 kW) S 560 Maybach 4-matic (345 kW) S 450 4-matic (270 kW) S 450 (270 kW) S 400 d (250 kW) S 350 d (210 kW) S 560 (345 kW) S 450 Maybach 4-matic (270 kW)	
CLASSE S Coupé (C217)	04/14 #
S 400 4-matic (270 kW) S 500 4-matic (335 kW) S 500 (335 kW) S 450 4-matic (270 kW) S 560 4-matic (345 kW)	
CLASSE G (W463)	09/89 #
G 63 AMG 6x6 (400 kW)	
NISSAN	
NV400 Autobus/Autocar (X62, X62B)	11/11 #
dCi 100 (74 kW) dCi 125 (92 kW) dCi 145 (107 kW)	
NV400 Camionnette (X62, X62B)	11/11 #
dCi 100 (74 kW) dCi 125 (92 kW) dCi 145 (107 kW) dCi 125 RWD (92 kW) dCi 110 (81 kW)	

SILVER *dynamic* AGM - 605 901 095 J38 2

NISSAN		PEUGEOT	
NV400 Camionnette (X62, X62B)	11/11 #	BOXER Camionnette	04/06 #
dCi 145 RWD (107 kW)		2.0 BlueHDi 110 (81 kW)	
NV400 Camion	11/11 #	2.0 BlueHDi 160 (118/120 kW)	
plate-forme/Châssis (X62, X62B)		2.0 BlueHDi 130 (96 kW)	
dCi 100 (74 kW)		2.0 BlueHDi 130 4x4 (96 kW)	
dCi 145 (107 kW)		2.2 BlueHDi 120 (88 kW)	
dCi 145 RWD (107 kW)		2.2 BlueHDi 140 (103 kW)	
dCi 125 (92 kW)		2.2 BlueHDi 165 (121 kW)	
dCi 125 RWD (92 kW)		2.0 BlueHDi 160 4x4 (120 kW)	
NV350 / CARAVAN	05/12 #	BOXER Camion	04/06 #
Autobus/Autocar (E26)		plate-forme/Châssis	
2.5 (108 kW)		2.0 BlueHDi 110 (81 kW)	
2.5 dCi (95 kW)		2.0 BlueHDi 130 (96 kW)	
NV350 Camionnette (E26)	05/12 #	2.0 BlueHDi 160 (120 kW)	
2.5 (108 kW)		2.2 BlueHDi 120 (88 kW)	
2.5 dCi (95 kW)		2.2 BlueHDi 165 (121 kW)	
OPEL		2.2 BlueHDi 140 (103 kW)	
MOVANO B Camion basculant (X62)	05/10 #	PORSCHE	
2.3 CDTI FWD (107 kW)		CAYENNE (9PA)	09/02 # 12/10
2.3 CDTI RWD (107 kW)		3.2 (177 kW)	
MOVANO B Autobus/Autocar (X62)	12/10 #	S 4.5 (250 kW)	
2.3 CDTI FWD (125 kW)		Turbo 4.5 (331 kW)	
2.3 CDTI FWD (132 kW)		Turbo S 4.5 (368/383 kW)	
MOVANO B Camionnette (X62)	05/10 #	3.6 (213 kW)	
2.3 CDTI FWD (125 kW)		S 4.8 (283 kW)	
2.3 CDTI FWD (132 kW)		Turbo S 4.8 (368/404/397 kW)	
MOVANO B Camion	05/10 #	GTS 4.8 (298 kW)	
plate-forme/Châssis (X62)		3.0 TDI (176 kW)	
2.3 CDTI FWD (96 kW)		CAYENNE (92A)	06/10 #
2.3 CDTI RWD (107/120 kW)		3.0 S E-Hybrid (306 kW)	
2.3 CDTI FWD (132 kW)		3.0 Diesel (176/180/155/193/184 kW)	
PEUGEOT		4.8 Turbo (368/397/382 kW)	
BOXER Autobus/Autocar	09/05 #	3.6 (220 kW)	
2.0 BlueHDi 110 (81 kW)		4.8 S (294 kW)	
2.0 BlueHDi 130 (96 kW)		4.8 GTS (309 kW)	
2.0 BlueHDi 160 (120 kW)		4.2 S Diesel (281/283 kW)	
2.2 BlueHDi 120 (88 kW)		4.8 Turbo S (405/419 kW)	
2.2 BlueHDi 140 (103 kW)		3.6 GTS (324 kW)	
2.2 BlueHDi 165 (121 kW)		MACAN (95B)	02/14 #
		2.0 (180 kW)	
		3.0 S (250/260 kW)	

SILVER *dynamic* AGM - 605 901 095 J38 2

PORSCHE		
MACAN (95B)	02/14 #	
3.6 Turbo (294 kW)		
3.0 S Diesel (190/155/184/180 kW)		
GTS (280 kW)		
2.9 Turbo AWD (324 kW)		
PANAMERA (970)	03/09 # 12/17	
3.0 S E-Hybrid (245 kW)		
4.8 Turbo S (404/419 kW)		
3.0 D (184/155/221 kW)		
4.8 Turbo (397/368/382 kW)		
4.8 GTS (316/324 kW)		
4.8 S (294 kW)		
4.8 4S (294 kW)		
3.6 (220/228 kW)		
3.6 4 (220/228 kW)		
3.0 S (309 kW)		
3.0 4S (309 kW)		
PANAMERA (971)	05/16 #	
2.9 4 (243 kW)		
4.0 GTS (338 kW)		
PANAMERA Sport Turismo (971)	05/17 #	
2.9 4 (243 kW)		
4.0 GTS (338 kW)		
RENAULT		
LAGUNA Coupé (DT0/1)	09/08 # 12/15	
3.0 dCi (177 kW)		
ROLLS-ROYCE		
CULLINAN (RR31)	08/18 #	
V12 (441 kW)		
VAUXHALL		
MOVANO Mk II (B) Combi (X62)	05/10 #	
2.3 CDTI FWD (81 kW)		
MOVANO Mk II (B) VAN (X62)	05/10 #	
2.3 CDTI RWD (100 kW)		
2.3 CDTI FWD (120/125 kW)		
2.3 CDTI FWD (110 kW)		
MOVANO Mk II (B) Chassis/Cab (X62)	05/10 #	
2.3 CDTI FWD (81 kW)		
2.3 CDTI RWD (100/120 kW)		
VAUXHALL		
MOVANO Mk II (B) Chassis/Cab (X62)	05/10 #	
2.3 CDTI FWD (110 kW)		
VW		
TOUAREG (7P5, 7P6)	01/10 # 12/18	
3.0 V6 TSI (213 kW)		
3.6 V6 FSI (183/206 kW)		
3.0 V6 TDI (150/180/176/165/193 kW)		
4.2 V8 TDI (250 kW)		
3.0 V6 TSI Hybrid (279 kW)		
TOUAREG (CR7)	11/17 #	
3.0 TSI 4motion (250 kW)		
3.0 TDI 4motion (210/170/183 kW)		
2.0 TFSi 4motion (183 kW)		
4.0 V8 TDI 4motion (310 kW)		