

# SILVER *dynamic* AGM - 560 901 068 J38 2

## Informations générales

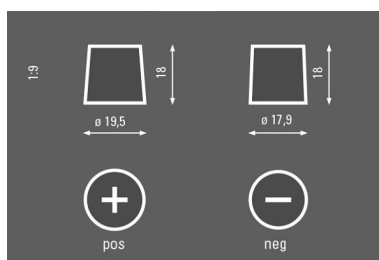
|                   |                   |
|-------------------|-------------------|
| VARTA Références  | 560 901 068 J38 2 |
| Code ETN          | 560 901 068       |
| Référence abrégée | A8                |
| Unité d'emballage | 1                 |
| État de l'article | 001               |

## Informations Techniques

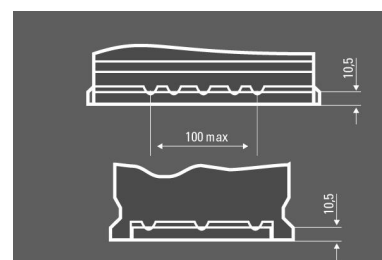
|                                  |     |                     |        |
|----------------------------------|-----|---------------------|--------|
| Voltage [V]                      | 12  | Longueur [mm]       | 242    |
| Capacité (Ah)                    | 60  | Largeur [mm]        | 175    |
| Courant d'essai à froid, DIN [A] |     | Hauteur [mm]        | 190    |
| Courant d'essai à froid, NE [A]  | 680 | Hauteur de fixation |        |
| Borne                            | 1   | Taille de bac       | H5/LN2 |
| Rebord de fixation               | B13 |                     |        |



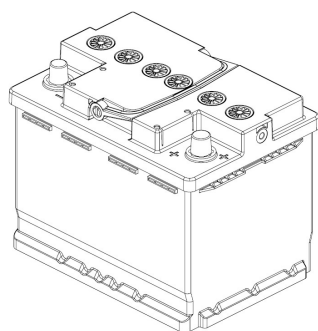
Photo



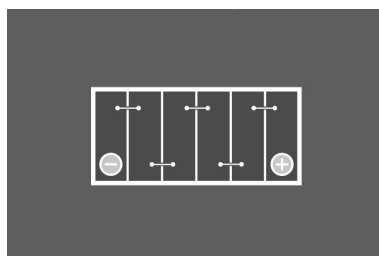
Borne



Listeau



Dessin technique



Disposition pôles

## SILVER *dynamic* AGM - 560 901 068 J38 2

|   |               |
|---|---------------|
| <b>ABARTH</b>                             |               |
| 124 Spider                                | 03/16 #       |
| 1.4 (125 kW)                              |               |
| 500 / 595 / 695                           | 01/08 #       |
| 1.4 (107 kW)                              |               |
| GRANDE PUNTO                              | 07/07 # 06/10 |
| 1.4 ESSEESSE / SUPERSPORT (132 kW)        |               |
| PUNTO EVO                                 | 07/08 # 02/12 |
| 1.4 (120 kW)                              |               |
| PUNTO                                     | 03/12 #       |
| 1.4 (120 kW)                              |               |
| 1.4 SUPERSPORT (132 kW)                   |               |
| <b>ALFA ROMEO</b>                         |               |
| 164 (164_)                                | 01/87 # 10/98 |
| 2.0 Twin Spark (105 kW)                   |               |
| 3.0 24V QV (171 kW)                       |               |
| 3.0 V6 (135/141/132 kW)                   |               |
| 2.5 V6 (120 kW)                           |               |
| 3.0 i.e. QV (147 kW)                      |               |
| 2.0 V6 Turbo (150/148 kW)                 |               |
| 3.0 24V (155 kW)                          |               |
| 166 (936_)                                | 09/98 # 06/07 |
| 2.0 T.Spark (110 kW)                      |               |
| 2.0 V6 (151 kW)                           |               |
| GIULIETTA (940_)                          | 04/10 # 12/20 |
| 1.4 TB (77 kW)                            |               |
| 1.4 BiFuel (88 kW)                        |               |
| 1.8 TBi (177/173 kW)                      |               |
| GT (937_)                                 | 11/03 # 09/10 |
| 1.8 TS (103 kW)                           |               |
| 1.9 JTD (110/125 kW)                      |               |
| GTV (916_)                                | 09/94 # 10/05 |
| 1.8 16V (106 kW)                          |               |
| 2.0 T.SPARK 16V (110/114 kW)              |               |
| 2.0 JTS (121 kW)                          |               |
| MITO (955_)                               | 08/08 # 10/18 |
| 0.9 TwinAir (63 kW)                       |               |
| 1.4 (57/58/57 kW)                         |               |
| 1.4 Bifuel (88 kW)                        |               |
| 1.4 MultiAir (77/125 kW)                  |               |
| 1.4 Turbo MultiAir (120/99 kW)            |               |
| <b>ALFA ROMEO</b>                         |               |
| MITO (955_)                               | 08/08 # 10/18 |
| 1.4 TB (103 kW)                           |               |
| 1.3 MultiJet (59/62/70 kW)                |               |
| 0.9 (74 kW)                               |               |
| SPIDER (916_)                             | 09/94 # 04/05 |
| 1.8 16V (106 kW)                          |               |
| 2.0 V6 Turbo (148 kW)                     |               |
| 2.0 T.SPARK 16V (110/114 kW)              |               |
| 2.0 JTS (121 kW)                          |               |
| SPIDER (939_)                             | 03/06 # 03/11 |
| 2.2 JTS (136 kW)                          |               |
| GIULIETTA Camionnette - 3/5 portes (940_) | 04/11 # 12/20 |
| 1.4 (88 kW)                               |               |
| 1.6 JTDM (77 kW)                          |               |
| <b>ALPINA</b>                             |               |
| B6 (E21)                                  | 03/78 # 03/83 |
| 2.8 (147 kW)                              |               |
| C1 (E21)                                  | 03/80 # 07/83 |
| 2.3 (125 kW)                              |               |
| XB7 (G07)                                 | 05/20 #       |
| BITURBO (457 kW)                          |               |
| <b>AUDI</b>                               |               |
| A1 (8X1, 8XK)                             | 05/10 # 10/18 |
| 1.0 TFSI (60 kW)                          |               |
| 1.2 TFSI (63 kW)                          |               |
| 1.4 TFSI (92 kW)                          |               |
| 1.4 TSI (110 kW)                          |               |
| 1.6 TDI (85 kW)                           |               |
| A1 Sportback (8XA, 8XF)                   | 09/11 # 10/18 |
| 1.0 TFSI (60 kW)                          |               |
| 1.2 TFSI (63 kW)                          |               |
| 1.4 TFSI (92 kW)                          |               |
| 1.6 TDI (85 kW)                           |               |
| A3 (8P1)                                  | 05/03 # 12/13 |
| 1.6 E-Power (75 kW)                       |               |
| 2.0 TFSI (147 kW)                         |               |
| 2.0 TFSI quattro (147 kW)                 |               |
| 1.8 T (110 kW)                            |               |
| 1.8 TFSI quattro (118 kW)                 |               |

## SILVER *dynamic* AGM - 560 901 068 J38 2

|                                |               |                                    |               |
|--------------------------------|---------------|------------------------------------|---------------|
| <b>AUDI</b>                    |               | <b>AUDI</b>                        |               |
| A3 Décapotable (8P7)           | 04/08 # 05/13 | A6 C5 Avant (4B5)                  | 11/97 # 01/05 |
| 1.6 (75 kW)                    |               | 1.8 T quattro (110/132 kW)         |               |
| 1.8 TFSI (118 kW)              |               | 1.8 T (110/132 kW)                 |               |
| 2.0 TFSI (147 kW)              |               | Q2 (GAB, GAG)                      | 06/16 #       |
| A4 B5 (8D2)                    | 11/94 # 12/01 | 1.0 TFSI (85 kW)                   |               |
| 1.6 (74 kW)                    |               | TT (8N3)                           | 10/98 # 12/06 |
| A4 B5 Avant (8D5)              | 11/94 # 12/02 | 1.8 T (110 kW)                     |               |
| 1.6 (74 kW)                    |               | 1.8 T quattro (132/180/165/140 kW) |               |
| A4 B6 (8E2)                    | 11/00 # 12/05 | TT Roadster (8N9)                  | 10/99 # 12/06 |
| 2.0 (96 kW)                    |               | 1.8 T (110 kW)                     |               |
| 2.0 FSI (110 kW)               |               | 1.8 T quattro (165/132/140 kW)     |               |
| A4 B6 Avant (8E5)              | 02/00 # 12/05 | <b>BESTURN (FAW)</b>               |               |
| 1.6 (75 kW)                    |               | B70                                | 05/14 # 12/20 |
| 1.8 T (110/120/140 kW)         |               | 1.8 (137 kW)                       |               |
| 1.8 T quattro (110/120/140 kW) |               | 2.0 (108 kW)                       |               |
| 2.0 (96 kW)                    |               | <b>BMW</b>                         |               |
| 2.0 FSI (110 kW)               |               | 1 (E81)                            | 09/06 # 09/12 |
| A4 B7 (8EC)                    | 11/04 # 06/08 | 120 i (115 kW)                     |               |
| 1.6 (75 kW)                    |               | 130 i (195/190 kW)                 |               |
| 1.8 T (120 kW)                 |               | 1 (E87)                            | 02/03 # 01/13 |
| 1.8 T quattro (120 kW)         |               | 118 i (95 kW)                      |               |
| A4 B7 Avant (8ED)              | 11/04 # 06/08 | 120 i (110 kW)                     |               |
| 1.6 (75 kW)                    |               | 2 Active Tourer (F45)              | 11/13 #       |
| 1.8 T (120 kW)                 |               | 218 d xDrive (100 kW)              |               |
| A4 B8 (8K2)                    | 08/07 # 09/16 | 3 (E21)                            | 06/75 # 03/84 |
| 1.8 TFSI (88 kW)               |               | 316 (66 kW)                        |               |
| A6 C4 (4A2)                    | 06/94 # 10/97 | 318 (72 kW)                        |               |
| 1.8 (92 kW)                    |               | 318 i (77 kW)                      |               |
| 1.8 quattro (92 kW)            |               | 320 i (92 kW)                      |               |
| A6 C4 Avant (4A5)              | 06/94 # 12/97 | 320 (80 kW)                        |               |
| 1.8 (92 kW)                    |               | 320/6 (90 kW)                      |               |
| 1.8 quattro (92 kW)            |               | 323 i (105 kW)                     |               |
| A6 C5 (4B2)                    | 01/97 # 12/05 | 3 (E30)                            | 09/82 # 03/92 |
| 1.8 (85 kW)                    |               | 315 (55 kW)                        |               |
| 1.8 T (110/132 kW)             |               | 318 is (100 kW)                    |               |
| 1.8 T quattro (110/132 kW)     |               | 316 i (75/73/75 kW)                |               |
| 2.0 (96 kW)                    |               | 318 i (85/75/77/83 kW)             |               |
| A6 C5 Avant (4B5)              | 11/97 # 01/05 | 320 i (92/110/95 kW)               |               |
| 1.8 (85 kW)                    |               | 323 i (102/110 kW)                 |               |
| 2.0 (96 kW)                    |               | 316 (66/66 kW)                     |               |

## SILVER *dynamic* AGM - 560 901 068 J38 2

|                                      |               |   |               |
|--------------------------------------|---------------|---|---------------|
| <b>BMW</b>                           |               | <b>BMW</b>                                |               |
| 3 (E30)                              | 09/82 # 03/92 | 5 (E12)                                   | 03/72 # 08/81 |
| 320 is (141 kW)                      |               | 520 i (96/92 kW)                          |               |
| 3 Touring (E30)                      | 07/87 # 10/94 | M535 i (160 kW)                           |               |
| 316 i (73 kW)                        |               | 518 i (75 kW)                             |               |
| 318 i (85/83 kW)                     |               | 5 (E28)                                   | 05/81 # 12/87 |
| 320 i (95 kW)                        |               | 518 (66 kW)                               |               |
| 325 i X (125 kW)                     |               | 520 i (92/95/110 kW)                      |               |
| 325 i (125 kW)                       |               | 535 i, M 535 i (136 kW)                   |               |
| 3 Décapotable (E30)                  | 09/82 # 11/93 | 518 i (77/75 kW)                          |               |
| 318 i (83 kW)                        |               | 5 (E34)                                   | 02/87 # 12/95 |
| 325 i (126/125 kW)                   |               | 518 i (85 kW)                             |               |
| 320 i (95/93 kW)                     |               | 520 i (95 kW)                             |               |
| 318 i (103 kW)                       |               | 525 i (125 kW)                            |               |
| 3 (E36)                              | 09/90 # 11/98 | 525 i 24V (141 kW)                        |               |
| 316 i (73 kW)                        |               | 525 iX 24V (141 kW)                       |               |
| 3 Compact (E36)                      | 01/94 # 08/00 | 530 i (138 kW)                            |               |
| 316 i (75 kW)                        |               | 520 i 24V (110 kW)                        |               |
| 318 ti (103 kW)                      |               | 5 Touring (E34)                           | 07/91 # 07/96 |
| 316 g (75 kW)                        |               | 518 i (83 kW)                             |               |
| 3 Touring (E36)                      | 08/94 # 12/99 | 525 i (141 kW)                            |               |
| 316 i (75 kW)                        |               | 525 ix (141 kW)                           |               |
| 3 Compact (E46)                      | 03/01 # 02/05 | 518 g (85 kW)                             |               |
| 316 ti (77 kW)                       |               | 520 i (110 kW)                            |               |
| 318 ti (105 kW)                      |               | 5 (G30, F90)                              | 09/16 #       |
| 3 Coupé (E46)                        | 12/98 # 07/06 | 530 e Plug-in-Hybrid (120 kW)             |               |
| 316 Ci (77 kW)                       |               | 520 E PLUG-IN-HYBRID (120 kW)             |               |
| 318 Ci (87/105/110 kW)               |               | M 550 i xDrive (390 kW)                   |               |
| 3 Touring (E46)                      | 06/99 # 07/05 | 7 (G11, G12)                              | 07/15 #       |
| 316 i (85 kW)                        |               | 745 e, Le Plug-in-Hybrid (210 kW)         |               |
| 318 i (87/105/85 kW)                 |               | 730 i, Li (195 kW)                        |               |
| 3 (G20, G80, G28)                    | 11/18 #       | 745 Le Plug-in-Hybrid xDrive (290/210 kW) |               |
| 330 e Plug-in-Hybrid (135 kW)        |               | 740 i, Li (250 kW)                        |               |
| 330 e Plug-in-Hybrid xDrive (135 kW) |               | 740 Li xDrive (250 kW)                    |               |
| 3 Touring (G21, G81)                 | 07/19 #       | 750 i, Li xDrive (390 kW)                 |               |
| 330 e Plug-in-Hybrid xDrive (135 kW) |               | M 760 Li xDrive (430 kW)                  |               |
| 5 (E12)                              | 03/72 # 08/81 | 750 Li xDrive (330 kW)                    |               |
| 518 (66 kW)                          |               | 8 Gran Coupe (G16, F93)                   | 07/19 #       |
| 520 (80/85 kW)                       |               | 840 i (250 kW)                            |               |
| 520/6 (90 kW)                        |               | 840 i xDrive (250 kW)                     |               |

## SILVER *dynamic* AGM - 560 901 068 J38 2

|                                    |               |                                |               |
|------------------------------------|---------------|--------------------------------|---------------|
| <b>BMW</b>                         |               | <b>BMW</b>                     |               |
| 8 Gran Coupe (G16, F93)            | 07/19 #       | 1500-2000 (115, 116, 118, 121) | 10/62 # 11/72 |
| M 850 i xDrive (390 kW)            |               | 1500 (59 kW)                   |               |
| 840 d xDrive (235 kW)              |               | 2000 Ti / Tilux (88 kW)        |               |
| 8 Décapotable (G14, F91)           | 11/18 #       | 2000 Tii (96 kW)               |               |
| M 850 i xDrive (390 kW)            |               | 1600 (61 kW)                   |               |
| M1 (E26)                           | 05/79 # 05/83 | 1800 (66/66 kW)                |               |
| 3.5 (204 kW)                       |               | 1800 Ti (81/96 kW)             |               |
| X2 (F39)                           | 11/17 #       | 2000 (66 kW)                   |               |
| xDrive 25 e Plug-in-Hybrid (92 kW) |               | 1600 GT Coupé                  | 10/67 # 05/69 |
| X5 (G05, F95)                      | 08/18 #       | 1.6 (77 kW)                    |               |
| xDrive 50 i (340 kW)               |               | 2000 Coupé (120)               | 10/65 # 06/70 |
| M50 i xDrive (390 kW)              |               | C/CA (74 kW)                   |               |
| M (441 kW)                         |               | CS (88 kW)                     |               |
| M Competition (460 kW)             |               | 2.5-3.2 Coupé (E9)             | 09/67 # 03/76 |
| xDrive 30 d (183 kW)               |               | 2.5 CS (110 kW)                |               |
| X5 Van (G05)                       | 11/19 #       | 3.0 CSiL (152 kW)              |               |
| xDrive 40 i (250 kW)               |               | 2800 CS (125 kW)               |               |
| xDrive 30 d (195 kW)               |               | 3.0 CS (132 kW)                |               |
| X6 (G06, F96)                      | 08/19 #       | 3.0 CSi (147 kW)               |               |
| xDrive 40 i (250 kW)               |               | 2500-3.3 (E3)                  | 10/68 # 04/77 |
| M50 i xDrive (390 kW)              |               | 2500 (110 kW)                  |               |
| xDrive 30 d (195/183/155 kW)       |               | 3.0 Si (143/147 kW)            |               |
| xDrive M 50 d (294 kW)             |               | 3.3 L (140 kW)                 |               |
| M (441 kW)                         |               | 2.8 L (125 kW)                 |               |
| M Competition (460 kW)             |               | 3.0 L (132 kW)                 |               |
| X7 (G07)                           | 03/19 #       | 3.0 S (132 kW)                 |               |
| xDrive 40 i (250 kW)               |               | 2800 (125 kW)                  |               |
| xDrive 30 d (195/155/183 kW)       |               | 3.2 Li (147 kW)                |               |
| xDrive M 50 d (294 kW)             |               | <b>CHEVROLET</b>               |               |
| xDrive M 50 i (390 kW)             |               | AVEO 3/5 portes (T300)         | 03/11 #       |
| V8 Coupé (502)                     | 10/58 # 07/66 | 1.2 (51 kW)                    |               |
| 2.6 (81 kW)                        |               | 1.4 (74 kW)                    |               |
| 2600 (81 kW)                       |               | 1.6 (85 kW)                    |               |
| 3.2 (88 kW)                        |               | 1.3 D (55/70 kW)               |               |
| 3.2 Super (103 kW)                 |               | 1.4 Turbo (103 kW)             |               |
| 3200 L (103 kW)                    |               | 1.2 LPG (63 kW)                |               |
| 3200 S (118 kW)                    |               | AVEO A trois volumes (T300)    | 03/11 #       |
| 3200 CS (118 kW)                   |               | 1.2 (51 kW)                    |               |
| 503 Décapotable (E03)              | 01/57 # 05/61 | 1.6 (85 kW)                    |               |
| 3.2 (103 kW)                       |               | 1.4 (74 kW)                    |               |
|                                    |               | 1.3 D (55/70 kW)               |               |

## SILVER *dynamic* AGM - 560 901 068 J38 2

|                             |               |
|-----------------------------|---------------|
| <b>CHEVROLET</b>            |               |
| AVEO A trois volumes (T300) | 03/11 #       |
| 1.2 LPG (63 kW)             |               |
| EQUINOX                     | 09/09 #       |
| 2.4 (136 kW)                |               |
| 2.4 AWD (136 kW)            |               |
| VOLT                        | 04/11 #       |
| EV 150 (111 kW)             |               |
| <b>CHRYSLER</b>             |               |
| DELTA                       | 08/11 #       |
| 1.4 (88 kW)                 |               |
| 1.4 16V (103 kW)            |               |
| 1.6 D Multijet (88 kW)      |               |
| YPSILON                     | 05/11 #       |
| 0.9 Twinair (63 kW)         |               |
| 1.2 (51 kW)                 |               |
| 1.3 Multijet (70 kW)        |               |
| <b>CITROËN</b>              |               |
| BERLINGO (ER_, EC_)         | 06/18 #       |
| 1.2 PureTech 110 (81 kW)    |               |
| 1.5 BlueHDi 130 (96 kW)     |               |
| 1.5 BlueHDi 100 (75 kW)     |               |
| 1.5 BlueHDi 75 (56 kW)      |               |
| BX Break (XB-_)             | 04/83 # 12/94 |
| 1.6 (85 kW)                 |               |
| 1.9 TZi (92 kW)             |               |
| 19 4x4 (78 kW)              |               |
| C-ELYSEE (DD_)              | 11/12 #       |
| 1.6 HDI 92 (68 kW)          |               |
| C1 II (PA_, PS_)            | 04/14 #       |
| 1.0 VTi 68 (51 kW)          |               |
| C2 (JM_)                    | 07/03 # 09/17 |
| 1.1 (44 kW)                 |               |
| 1.4 (54/55 kW)              |               |
| 1.6 (80 kW)                 |               |
| 1.4 HDi (50/51 kW)          |               |
| 1.6 VTS (90 kW)             |               |
| 1.4 16V (65 kW)             |               |
| 1.6 HDi (80 kW)             |               |
| C2 ENTERPRISE (JG_)         | 11/03 # 12/09 |
| 1.1 (44 kW)                 |               |
| <b>CITROËN</b>              |               |
| C2 ENTERPRISE (JG_)         | 11/03 # 12/09 |
| 1.4 HDi (50/51 kW)          |               |
| C3 I (FC_, FN_)             | 02/02 #       |
| 1.1 i (44 kW)               |               |
| 1.4 i Bivalent (54 kW)      |               |
| 1.6 16V (81/80 kW)          |               |
| 1.4 i (54 kW)               |               |
| 1.4 16V (65 kW)             |               |
| C4 I (LC_)                  | 11/04 # 12/14 |
| 1.6 VTi 120 (88 kW)         |               |
| 2.0 16V (100/103/130 kW)    |               |
| 1.6 HDi (66/80 kW)          |               |
| 1.6 THP 150 (110 kW)        |               |
| 1.6 THP 140 (103 kW)        |               |
| C4 I A trois volumes        | 07/06 #       |
| 2.0 16V (103 kW)            |               |
| C4 II (NC_)                 | 02/09 #       |
| 1.6 VTi 120 (88 kW)         |               |
| 1.6 THP 155 (115 kW)        |               |
| 1.6 VTi 120 LPG (88 kW)     |               |
| C4 GRAND PICASSO I (UA_)    | 10/06 # 12/13 |
| 2.0 i 16V (105 kW)          |               |
| C5 I (DC_)                  | 03/01 # 03/05 |
| 1.8 16V (85 kW)             |               |
| 2.0 16V (100 kW)            |               |
| 2.0 16V HPi (103 kW)        |               |
| C5 I Break (DE_)            | 06/01 # 09/04 |
| 1.8 16V (85 kW)             |               |
| 2.0 16V (100 kW)            |               |
| 2.0 16V HPi (103 kW)        |               |
| 3.0 Carlsson (173 kW)       |               |
| C5 II (RC_)                 | 08/04 # 09/08 |
| 1.8 16V (85 kW)             |               |
| 2.0 16V (103 kW)            |               |
| C5 II Break (RE_)           | 09/04 #       |
| 1.8 16V (85 kW)             |               |
| 2.0 16V (103 kW)            |               |
| C5 III (RD_)                | 02/08 #       |
| 1.6 VTi 120 (88 kW)         |               |
| 1.8 16V (92 kW)             |               |
| 2.0 16V (103 kW)            |               |

## SILVER *dynamic* AGM - 560 901 068 J38 2

|   |                |  |
|---|----------------|--|
| <b>CITROËN</b>                          |                |  |
| C5 III (RD_)                            | 02/08 #        |  |
| 1.6 THP 155 (115 kW)                    |                |  |
| 1.6 THP 150 (110 kW)                    |                |  |
| 2.0 16V BioFlex (103 kW)                |                |  |
| C5 III Break (RW_)                      | 02/08 #        |  |
| 1.6 VTI 120 (88 kW)                     |                |  |
| 2.0 16V BioFlex (103 kW)                |                |  |
| 1.6 THP 155 (115 kW)                    |                |  |
| 1.6 THP 150 (110 kW)                    |                |  |
| 1.8 16V (92 kW)                         |                |  |
| 2.0 16V (103 kW)                        |                |  |
| C8 (EA_, EB_)                           | 06/02 #        |  |
| 2.0 16V (104 kW)                        |                |  |
| DS3 (SA_)                               | 11/09 # 12/16  |  |
| 1.6 THP 150 (110 kW)                    |                |  |
| DS3 Décapotable                         | 01/13 # 07/15  |  |
| 1.6 THP 150 (110 kW)                    |                |  |
| 1.6 THP 155 (115 kW)                    |                |  |
| DS5                                     | 09/11 # 12/16  |  |
| 1.6 THP 155 (115 kW)                    |                |  |
| 1.6 THP 200 (147 kW)                    |                |  |
| EVASION Monospace (22, U6)              | 03/94 # 07/02  |  |
| 1.8 (76 kW)                             |                |  |
| NEMO Monospace                          | 04/09 #        |  |
| 1.3 HDi 75 (55 kW)                      |                |  |
| 1.3 HDi 80 (59 kW)                      |                |  |
| NEMO Camionnette/Monospace (AA_)        | 02/08 #        |  |
| 1.3 HDi 75 (55 kW)                      |                |  |
| 1.3 BlueHDi 80 (59 kW)                  |                |  |
| <b>DODGE</b>                            |                |  |
| DART                                    | 04/12 #        |  |
| 1.4 T (119 kW)                          |                |  |
| 2.4 (137 kW)                            |                |  |
| <b>FIAT</b>                             |                |  |
| BRAVO II (198_)                         | 11/06 # 12/16  |  |
| 1.4 16V (103 kW)                        |                |  |
| DOBLO Monospace (119_, 223_)            | 03/01 #        |  |
| 1.3 JTD 16V (51 kW)                     |                |  |
| 1.9 D (46 kW)                           |                |  |
| <b>FIAT</b>                             |                |  |
| DOBLO Monospace (119_, 223_)            | 03/01 #        |  |
| 1.9 JTD (74/77 kW)                      |                |  |
| 1.3 D Multijet (62 kW)                  |                |  |
| 1.9 D Multijet (88 kW)                  |                |  |
| 1.3 JTD (55 kW)                         |                |  |
| DOBLO Camionnette/Monospace             | 11/00 # (223_) |  |
| 1.9 D (46 kW)                           |                |  |
| DOBLO Autobus/Autocar (263_)            | 11/09 #        |  |
| 1.4 (70 kW)                             |                |  |
| 1.3 D Multijet (55/66/70 kW)            |                |  |
| 1.6 D Multijet (66/88/77 kW)            |                |  |
| 1.4 Natural Power (88 kW)               |                |  |
| DOBLO Cargo (263_)                      | 02/10 #        |  |
| 1.4 (70 kW)                             |                |  |
| 1.6 D Multijet (77/66/74 kW)            |                |  |
| 1.4 Natural Power (88 kW)               |                |  |
| 1.3 D Multijet (66/55/70 kW)            |                |  |
| DOBLO Camion plate-forme/Châssis (263_) | 02/10 #        |  |
| 1.4 Natural Power (88 kW)               |                |  |
| 1.3 D Multijet (55/70/59 kW)            |                |  |
| FIORINO Camionnette/Monospace (225_)    | 01/07 #        |  |
| 1.3 D Multijet (55 kW)                  |                |  |
| IDEA (350_)                             | 12/03 #        |  |
| 1.3 D Multijet (70 kW)                  |                |  |
| PANDA (312_, 319_)                      | 02/12 #        |  |
| 0.9 (57 kW)                             |                |  |
| 1.3 D Multijet (59/55/70 kW)            |                |  |
| 1.2 (51 kW)                             |                |  |
| 0.9 Natural Power (63/59 kW)            |                |  |
| 1.3 D Multijet 4x4 (55/59/70 kW)        |                |  |
| 0.9 4x4 (63/66 kW)                      |                |  |
| 1.2 LPG (51 kW)                         |                |  |
| PANDA VAN (312_, 519_)                  | 02/12 #        |  |
| 0.9 (48 kW)                             |                |  |
| 0.9 4x4 (63 kW)                         |                |  |
| 1.2 (51 kW)                             |                |  |
| 1.2 LPG (51 kW)                         |                |  |
| 0.9 Natural Power (59/63 kW)            |                |  |

## SILVER *dynamic* AGM - 560 901 068 J38 2

|   |                                    |   |                              |
|---|------------------------------------|---|------------------------------|
| <b>FIAT</b>   |                                    | <b>FIAT</b>                               |                              |
| PANDA VAN (312_, 519_) 02/12 #                          | 1.3 D Multijet (59/55 kW)          | TIPO A trois volumes (356_, 357_) 10/15 # | 1.4 (70 kW)                  |
|   | 1.3 D Multijet 4x4 (59/55 kW)      |   | 1.4 LPG (88 kW)              |
| GRANDE PUNTO Van (199_) 10/05 # 06/13                   | 1.4 (57 kW)                        | TIPO 3/5 portes (356_, 357_) 03/16 #      | 1.4 (70 kW)                  |
|   | 1.3 JTD Multijet (55 kW)           |   | 1.4 LPG (88 kW)              |
| GRANDE PUNTO (199_) 06/05 #                             | 1.2 (51 kW)                        | TIPO Break (356_, 357_) 03/16 #           | 1.4 (70 kW)                  |
|   | 1.4 (57 kW)                        |   | 1.4 LPG (88 kW)              |
|   | 1.3 D Multijet (55 kW)             | 124 Spider (348_) 03/16 #                 | 1.4 (103 kW)                 |
| PUNTO Camionnette - 3/5 portes (199_) 04/08 #           | 0.9 Twinair Turbo (63 kW)          |   | 500 (312_) 07/07 #           |
|   | 1.3 D Multijet (70/62 kW)          |   | 0.9 (59 kW)                  |
| PUNTO EVO (199_) 07/08 #                                | 1.2 LPG (51 kW)                    |   | 1.2 (51 kW)                  |
|   | 1.2 (51 kW)                        |   | 1.4 (74/75 kW)               |
|   | 1.3 D Multijet (68/62/51/66/56 kW) |   | 1.3 D Multijet (70/57 kW)    |
|   | 1.4 (55/57 kW)                     | 500 C (312_) 09/09 #                      | 0.9 (44 kW)                  |
|   | 1.4 16V (77/99 kW)                 |   | 1.2 (51 kW)                  |
| PUNTO EVO Camionnette - 3/5 portes (199_) 03/09 # 02/12 | 1.4 (57 kW)                        |   | 1.4 (74/75 kW)               |
|   | 1.3 D Multijet (66/70/55 kW)       |   | 1.3 D Multijet (70 kW)       |
| PUNTO (199_) 01/12 #                                    | 1.4 (57 kW)                        | 500L (351_, 352_) 09/12 #                 | 0.9 (77 kW)                  |
|   | 0.9 Twinair Turbo (63 kW)          |   | 1.4 (70/88/118 kW)           |
|   | 0.9 Bifuel (63 kW)                 |   | 1.3 D Multijet (62/70 kW)    |
|   | 1.4 Multi Air (77 kW)              |   | 0.9 Natural Power (63/59 kW) |
|   | 1.4 (57/55 kW)                     |   | 1.4 LPG (88 kW)              |
|   | 1.2 (51/49 kW)                     | 500X (334_) 09/14 #                       | 1.0 (88 kW)                  |
|   | 1.3 D Multijet (55/62/70/59 kW)    |   | 1.6 D Multijet (88 kW)       |
|   | 1.4 Turbo Multi Air (99 kW)        |   | 1.4 (100/103 kW)             |
|   | 0.9 (77/74 kW)                     |   | 1.4 4x4 (120/125 kW)         |
|   | 1.3 JTD Multijet (66 kW)           |   | 1.3 D Multijet (70 kW)       |
| QUBO (225_) 02/08 #                                     | 1.3 D Multijet (55 kW)             |   | 1.4 LPG (88 kW)              |
|   | 1.6 D Multijet (66 kW)             |   | 1.3 (110 kW)                 |
| SCUDO Autobus/Autocar (270_, 272_) 01/07 # 03/16        |                                    |   | 1.6 (81 kW)                  |
|   |                                    |   |                              |
|   |                                    | <b>FORD</b>                               |                              |
|   |                                    | KA (RU8) 10/08 # 05/16                    | 1.2 (51 kW)                  |



## SILVER *dynamic* AGM - 560 901 068 J38 2

|   |               |  |
|---|---------------|--|
| <b>FORD</b>                                       |               |  |
| KA (RU8)  | 10/08 # 05/16 |  |
| 1.3 TDCi (55 kW)                                  |               |  |
| KA+ III (UK, FK)                                  | 08/14 #       |  |
| 1.2 Ti-VCT (63 kW)                                |               |  |
| <b>GAC</b>  |               |  |
| TRUMPCHI GS4                                      | 04/15 #       |  |
| 235T (112 kW)                                     |               |  |
| <b>GEELY</b>                                      |               |  |
| BORUI   | 04/15 #       |  |
| 1.8 T (120 kW)                                    |               |  |
| 3.5 (202 kW)                                      |               |  |
| <b>GMC</b>  |               |  |
| TERRAIN   | 08/09 #       |  |
| 2.4 (136 kW)                                      |               |  |
| 2.4 AWD (136 kW)                                  |               |  |
| 3.0 Flexfuel DI AWD (197 kW)                      |               |  |
| TERRAIN   | 01/17 #       |  |
| 1.5 (127 kW)                                      |               |  |
| 2.0 AWD (188 kW)                                  |               |  |
| <b>HAVAL</b>                                      |               |  |
| H2  | 04/14 #       |  |
| 1.5 (110 kW)                                      |               |  |
| 1.5 AWD (110 kW)                                  |               |  |
| <b>HONDA</b>                                      |               |  |
| CITY VI A trois volumes (GM4, GM5, GM6, GM9, GM7) | 07/13 #       |  |
| 1.5 i-VTEC (88 kW)                                |               |  |
| CIVIC IX (FK)                                     | 02/12 #       |  |
| 1.4 i-VTEC (73 kW)                                |               |  |
| 1.8 i-VTEC (104 kW)                               |               |  |
| 2.0 i-VTEC Type R (228 kW)                        |               |  |
| CIVIC IX Tourer (FK)                              | 01/14 #       |  |
| 1.8 i-VTEC (104 kW)                               |               |  |
| CIVIC X A trois volumes (FC_)                     | 09/15 #       |  |
| 1.0 iVTEC (93 kW)                                 |               |  |
| 1.5 VTEC (134 kW)                                 |               |  |
| 2.0 (118 kW)                                      |               |  |
| 1.6 i-VTEC (92 kW)                                |               |  |
| 1.6 i-VTEC LPG (92 kW)                            |               |  |
| <b>HONDA</b>                                      |               |  |
| CIVIC X 3/5 portes (FC_, FK_)                     | 09/16 #       |  |
| 1.0 VTEC (95 kW)                                  |               |  |
| 2.0 (118 kW)                                      |               |  |
| 1.5 VTEC (134 kW)                                 |               |  |
| 2.0 Type-R (235 kW)                               |               |  |
| CR-V IV (RM_)                                     | 01/12 #       |  |
| 2.0 iVtec (114 kW)                                |               |  |
| 2.0 AWD (114 kW)                                  |               |  |
| 2.4 i-VTEC (136 kW)                               |               |  |
| 2.0 Flex (114 kW)                                 |               |  |
| CR-V V (RW_, RT_)                                 | 12/16 #       |  |
| 1.5 AWD (140 kW)                                  |               |  |
| 2.0 i-VTEC AWD (110 kW)                           |               |  |
| 2.4 i-VTEC AWD (137 kW)                           |               |  |
| HR-V (RU)   | 11/14 #       |  |
| 1.5 (88 kW)                                       |               |  |
| 1.8 (104 kW)                                      |               |  |
| 1.6 i-DTEC (88 kW)                                |               |  |
| 1.5 i-VTEC (134 kW)                               |               |  |
| JAZZ III (GE_, GG_, GP_, ZA_)                     | 10/07 #       |  |
| 1.3 HYBRID (75 kW)                                |               |  |
| <b>HYUNDAI</b>                                    |               |  |
| ACCENT IV (RB)                                    | 11/10 #       |  |
| 1.4 (74 kW)                                       |               |  |
| 1.6 CRDi (94/100 kW)                              |               |  |
| 1.6 CVVT (90 kW)                                  |               |  |
| ACCENT IV A trois volumes (RB)                    | 08/10 #       |  |
| 1.4 (74 kW)                                       |               |  |
| 1.6 CRDi (94 kW)                                  |               |  |
| 1.6 (90 kW)                                       |               |  |
| 1.6 GDI (103 kW)                                  |               |  |
| 1.6 CRDi (100 kW)                                 |               |  |
| GETZ (TB)   | 06/01 # 01/11 |  |
| 1.5 CRDi (60 kW)                                  |               |  |
| 1.5 CRDi GLS (75/81 kW)                           |               |  |
| GRANDEUR (HG)                                     | 01/11 #       |  |
| 2.4 (132 kW)                                      |               |  |
| 2.4 16V (148 kW)                                  |               |  |
| 3.3 GDI (210 kW)                                  |               |  |
| 3.0 MPI (184 kW)                                  |               |  |

## SILVER *dynamic* AGM - 560 901 068 J38 2

|                            |                      |                                      |                      |
|----------------------------|----------------------|--------------------------------------|----------------------|
| <b>HYUNDAI</b>             |                      | <b>HYUNDAI</b>                       |                      |
| <b>GRANDEUR (IG)</b>       | <b>11/16 #</b>       | <b>i30 (PDE, PD, PDEN)</b>           | <b>11/16 #</b>       |
| 2.4 GDI (140 kW)           |                      | (85/81/70/100/100/70/81 kW)          |                      |
| <b>i10 I (PA)</b>          | <b>10/07 #</b>       | 1.0 T-GDI hybrid 48V (88 kW)         |                      |
| 1.0 (51 kW)                |                      | 1.5 (81 kW)                          |                      |
| <b>i10 II (BA, IA)</b>     | <b>08/13 #</b>       | 1.5 T-GDI hybrid 48V (118 kW)        |                      |
| 1.0 (49 kW)                |                      | <b>i30 Break (PDE)</b>               | <b>03/17 #</b>       |
| 1.0 LPG (49 kW)            |                      | 1.0 T-GDI (88 kW)                    |                      |
| <b>i20 I (PB, PBT)</b>     | <b>08/08 #</b>       | 1.4 T-GDI (103 kW)                   |                      |
| 1.2 (63 kW)                |                      | 1.6 CRDi (81/100/85/81/100 kW)       |                      |
| <b>ix20 (JC)</b>           | <b>11/10 # 07/19</b> | 1.4 MPI (74/73 kW)                   |                      |
| 1.4 (66 kW)                |                      | 1.0 T-GDI hybrid 48V (88 kW)         |                      |
| 1.4 CRDi (66 kW)           |                      | 1.5 T-GDI Hybrid 48V (118 kW)        |                      |
| 1.4 LPG (66 kW)            |                      | 1.5 (81 kW)                          |                      |
| 1.6 LPG (92 kW)            |                      | <b>i30 Coupé</b>                     | <b>05/13 #</b>       |
| 1.6 (92 kW)                |                      | 1.4 (73 kW)                          |                      |
| <b>i30 (FD)</b>            | <b>10/07 # 05/12</b> | 1.4 CRDi (66 kW)                     |                      |
| 1.4 (77 kW)                |                      | 1.6 CRDi (94 kW)                     |                      |
| 1.6 (85/90/93 kW)          |                      | 1.6 GDI (99 kW)                      |                      |
| 1.4 LPG (80 kW)            |                      | 1.6 MPI (88 kW)                      |                      |
| <b>i30 Break (FD)</b>      | <b>10/07 # 06/12</b> | 1.6 MPI (96 kW)                      |                      |
| 1.4 (77 kW)                |                      | <b>KONA (OS, OSE, OSI)</b>           | <b>06/17 #</b>       |
| 1.6 CRDi (94 kW)           |                      | 1.6 CRDi (85 kW)                     |                      |
| 1.6 (90/85/93 kW)          |                      | 1.6 T-GDi (130 kW)                   |                      |
| 1.4 LPG (80 kW)            |                      | 1.6 CRDi e-VGT AWD (100/100 kW)      |                      |
| <b>i30 (GD)</b>            | <b>06/11 #</b>       | 1.6 CRDi e-VGT (100/100 kW)          |                      |
| 1.4 (73 kW)                |                      | 1.6 T-GDi 4WD (130 kW)               |                      |
| 1.4 CRDi (66 kW)           |                      | <b>SANTA FÉ II (CM)</b>              | <b>01/05 # 03/15</b> |
| 1.6 GDI (99/103 kW)        |                      | 2.4 (128 kW)                         |                      |
| 1.6 CRDi (94/81/100 kW)    |                      | 2.7 V6 GLS (139 kW)                  |                      |
| 1.6 (95/96 kW)             |                      | 2.7 V6 GLS 4x4 (139 kW)              |                      |
| 1.6 T-GDI (137 kW)         |                      | 2.4 4x4 (128 kW)                     |                      |
| 1.4 LPG (73 kW)            |                      | <b>SANTA FÉ III (DM, DMA)</b>        | <b>09/12 #</b>       |
| <b>i30 Break (GD)</b>      | <b>06/12 #</b>       | 2.4 (141 kW)                         |                      |
| 1.4 (74 kW)                |                      | 2.4 4WD (141 kW)                     |                      |
| 1.6 (88/95 kW)             |                      | <b>SOLARIS A trois volumes (HCR)</b> | <b>01/17 #</b>       |
| 1.6 CRDi (100 kW)          |                      | 1.4 (74 kW)                          |                      |
| <b>i30 (PDE, PD, PDEN)</b> | <b>11/16 #</b>       | 1.6 (90/89 kW)                       |                      |
| 1.0 T-GDI (88 kW)          |                      | <b>SONATA VI (YF)</b>                | <b>06/09 # 12/15</b> |
| 1.4 MPI (73/74 kW)         |                      | 2.4 (131 kW)                         |                      |
| 1.4 T-GDI (103 kW)         |                      |                                      |                      |
| 1.6 CRDi                   |                      |                                      |                      |

## SILVER *dynamic* AGM - 560 901 068 J38 2

|                               |               |                           |               |
|-------------------------------|---------------|---------------------------|---------------|
| <b>HYUNDAI</b>                |               | <b>JAGUAR</b>             |               |
| VELOSTER (FS)                 | 03/11 # 12/17 | XJ (XJ40, XJ81)           | 10/86 # 12/95 |
| 1.6 MPI (96 kW)               |               | 6 3.6 (156/145 kW)        |               |
| 1.6 GDI (103 kW)              |               | 3.6 (136 kW)              |               |
| VELOSTER (JS, JSN)            | 01/18 #       | XJ (X350, X358)           | 03/03 # 03/09 |
| 1.6 T-GDi (150 kW)            |               | 3.6 (190 kW)              |               |
| XG (XG)                       | 12/98 # 12/05 | R 4.2 (291 kW)            |               |
| 250 (120 kW)                  |               | <b>JEEP</b>               |               |
| 30 (138 kW)                   |               | CJ5 - CJ8                 | 01/66 # 12/87 |
| i30 FASTBACK (PDE, PDEN)      | 06/17 #       | 2.0 (63 kW)               |               |
| 1.0 T-GDI (88 kW)             |               | 3.7 (110 kW)              |               |
| 1.4 T-GDI (103 kW)            |               | 2.5 (78/65 kW)            |               |
| 1.6 CRDi (100/100 kW)         |               | 3.8 (74 kW)               |               |
| 1.5 T-GDI Hybrid 48V (118 kW) |               | 4.2 (76 kW)               |               |
| 1.0 T-GDI hybrid 48V (88 kW)  |               | 5.0 (89 kW)               |               |
| i30 Kombi Van (PDE)           | 03/17 #       | COMANCHE (MJ)             | 09/85 # 09/96 |
| 1.0 T-GDi (88 kW)             |               | 2.5 (90 kW)               |               |
| 1.4 T-GDi (103 kW)            |               | 4.0 4x4 (130 kW)          |               |
| 1.6 CRDi VGT (81/100 kW)      |               | 4.0 (130/127 kW)          |               |
| SONATA VIII (DN8)             | 03/19 #       | 2.1 D 4x4 (63 kW)         |               |
| 2.0 LPI (107 kW)              |               | 2.1 D (63 kW)             |               |
| 2.0 CVVL (110 kW)             |               | 2.5 4x4 (90 kW)           |               |
| 2.5 MPI (132 kW)              |               | COMPASS (MP, M6, MV, M7)  | 01/16 #       |
| i30 Kombi Van (GDE, GD)       | 06/12 #       | 1.3 Hybrid 4x4 (177 kW)   |               |
| 1.4 MPI (74 kW)               |               | 1.4 MultiAir (103 kW)     |               |
| i30 Hatchback Van (GDE)       | 06/12 #       | 2.0 CRD 4x4 (103 kW)      |               |
| 1.4 MPI (74 kW)               |               | 2.4 4x4 (134 kW)          |               |
| <b>INFINITI</b>               |               | 1.4 MultiAir 4x4 (125 kW) |               |
| QX50 II                       | 04/18 #       | 1.6 CRD (88 kW)           |               |
| 2.0 AWD (197 kW)              |               | 2.4 MultiAir (129 kW)     |               |
| <b>IVECO</b>                  |               | 2.4 MultiAir 4x4 (129 kW) |               |
| DAILY III Camionnette         | 05/99 # 10/09 | RENEGADE SUV (BU, B1, BV) | 07/14 #       |
| 65 C 17 (122 kW)              |               | 1.0 T-GDi (88 kW)         |               |
| <b>JAGUAR</b>                 |               | 1.4 (103/100 kW)          |               |
| XJ                            | 07/68 # 02/93 | 1.3 T-GDi 4x4 (132 kW)    |               |
| 6 2.8 (110 kW)                |               | 1.6 (81 kW)               |               |
| Sovereign V12 (194/197 kW)    |               | 1.4 4x4 (125 kW)          |               |
| 6 3.4 (119 kW)                |               | 1.6 CRD (88 kW)           |               |
| 2.8 (132 kW)                  |               | 1.3 T-GDi (110 kW)        |               |
| XJ (XJ40, XJ81)               | 10/86 # 12/95 | 1.3 PHEV 4Xe (177 kW)     |               |
| 6 2.9 (108 kW)                |               |                           |               |

## SILVER *dynamic* AGM - 560 901 068 J38 2

|                                     |                      |                                      |                      |
|-------------------------------------|----------------------|--------------------------------------|----------------------|
| <b>KIA</b>                          |                      | <b>KIA</b>                           |                      |
| <b>CEE'D 3/5 portes (ED)</b>        | <b>12/06 # 12/12</b> | <b>PRO CEE'D (JD)</b>                | <b>03/13 # 07/18</b> |
| 1.4 CVVT (66 kW)                    |                      | 1.4 MPI (73 kW)                      |                      |
| 1.6 CVVT (92 kW)                    |                      | 1.4 CVVT (73 kW)                     |                      |
| 1.6 (85/90/93 kW)                   |                      | 1.6 GT (150 kW)                      |                      |
| 1.4 (77/80 kW)                      |                      | 1.6 CVVT (95 kW)                     |                      |
| <b>CEE'D SW (ED)</b>                | <b>07/07 # 12/12</b> | 1.6 GDI (99 kW)                      |                      |
| 1.4 CVVT (66 kW)                    |                      | 1.6 CRDi 128 (94 kW)                 |                      |
| 1.6 CVVT (92 kW)                    |                      | 1.6 CRDi 110 (81 kW)                 |                      |
| 1.4 (77/80 kW)                      |                      | <b>PICANTO II (TA)</b>               | <b>05/11 # 05/17</b> |
| 1.6 (85/90/93 kW)                   |                      | 1.0 (49 kW)                          |                      |
| <b>PRO CEE'D (ED)</b>               | <b>02/08 # 02/13</b> | 1.0 Bi-Fuel (60 kW)                  |                      |
| 1.4 CVVT (66 kW)                    |                      | 1.0 LPG (49 kW)                      |                      |
| 1.6 CVVT (92/85 kW)                 |                      | 1.2 (64/63 kW)                       |                      |
| 1.4 (77/80 kW)                      |                      | <b>RIO X-LINE IV 3/5 portes (FB)</b> | <b>11/17 #</b>       |
| 1.6 (90/93 kW)                      |                      | 1.4 (74 kW)                          |                      |
| <b>PRO CEE'D Hatchback Van (JD)</b> | <b>03/12 # 07/18</b> | 1.6 (90 kW)                          |                      |
| 1.4 CVVT (73 kW)                    |                      | <b>RIO III (UB)</b>                  | <b>09/11 # 12/17</b> |
| 1.6 CRDi (94 kW)                    |                      | 1.2 (51 kW)                          |                      |
| 1.6 GDI (99 kW)                     |                      | 1.25 CVVT (63/65 kW)                 |                      |
| <b>CEE'D (JD)</b>                   | <b>05/12 # 07/18</b> | 1.25 LPG (63 kW)                     |                      |
| 1.0 T-GDI (74 kW)                   |                      | 1.4 CVVT (79/78/80 kW)               |                      |
| 1.6 CVVT (92/96/95 kW)              |                      | 1.2 CVVT (62 kW)                     |                      |
| 1.4 CVVT (66/73 kW)                 |                      | 1.1 CRDi (55 kW)                     |                      |
| 1.6 GT (150 kW)                     |                      | 1.4 CRDi (66 kW)                     |                      |
| 1.6 GDI (99 kW)                     |                      | 1.25 (64 kW)                         |                      |
| 1.6 CRDi 110 (81 kW)                |                      | <b>RIO III A trois volumes (UB)</b>  | <b>09/10 # 12/17</b> |
| 1.4 MPI (74 kW)                     |                      | 1.25 CVVT (61 kW)                    |                      |
| 1.4 LPG (72 kW)                     |                      | 1.2 CVVT (64 kW)                     |                      |
| 1.6 CRDi 128 (94 kW)                |                      | <b>RIO III Hatchback Van (UB)</b>    | <b>09/11 #</b>       |
| <b>CEE'D Combi Van (JD)</b>         | <b>07/12 # 07/18</b> | 1.1 CRDi (55 kW)                     |                      |
| 1.4 CVVT (73 kW)                    |                      | 1.2 CVVT (63 kW)                     |                      |
| <b>CEE'D Sportswagon (JD)</b>       | <b>09/12 # 07/18</b> | 1.4 CRDi (66 kW)                     |                      |
| 1.0 T-GDI (74 kW)                   |                      | 1.4 CVVT (80 kW)                     |                      |
| 1.4 CVVT (73 kW)                    |                      | <b>RIO IV (YB, SC, FB)</b>           | <b>01/17 #</b>       |
| 1.6 CVVT (96/95 kW)                 |                      | 1.0 T-GDI 100 (74 kW)                |                      |
| 1.6 GDI (99 kW)                     |                      | 1.25 (62 kW)                         |                      |
| 1.4 CRDi 90 (66 kW)                 |                      | 1.4 CRDi 77 (57 kW)                  |                      |
| 1.6 CRDi 128 (94 kW)                |                      | 1.4 CRDi 90 (66 kW)                  |                      |
| 1.6 CRDi 110 (81 kW)                |                      | 1.6 (90 kW)                          |                      |
| 1.4 MPI (74 kW)                     |                      | 1.4 (74 kW)                          |                      |
| 1.4 LPG (72 kW)                     |                      | 1.0 T-GDI 120 (88 kW)                |                      |

## SILVER *dynamic* AGM - 560 901 068 J38 2

|                                   |               |
|-----------------------------------|---------------|
| <b>KIA</b>                        |               |
| RIO IV A trois volumes (SC, FB)   | 07/17 #       |
| 1.4 (73 kW)                       |               |
| 1.6 (90 kW)                       |               |
| SOUL II (PS)                      | 02/14 #       |
| 1.6 TGDI (150 kW)                 |               |
| SOUL III (SK3)                    | 01/19 #       |
| 1.6 MPi (91 kW)                   |               |
| 1.6 T-GDI (147 kW)                |               |
| 2.0 MPi (110 kW)                  |               |
| SPORTAGE III (SL)                 | 09/09 #       |
| 2.0 CRDi (100 kW)                 |               |
| 2.0 CRDi AWD (135/100 kW)         |               |
| SPORTAGE IV (QL, QLE)             | 09/15 #       |
| 2.0 (110 kW)                      |               |
| 2.0 CRDi AWD (136/131 kW)         |               |
| 2.4 GDI AWD (135 kW)              |               |
| 2.0 AWD (114/110 kW)              |               |
| STONIC (YB)                       | 07/17 #       |
| 1.0 T-GDi (74 kW)                 |               |
| 1.4 LPG (71 kW)                   |               |
| 1.2 CVVT (62 kW)                  |               |
| 1.4 CVVT (73 kW)                  |               |
| 1.6 CRDi (85/100 kW)              |               |
| VENGA (YN)                        | 02/10 #       |
| 1.4 CVVT (66 kW)                  |               |
| 1.6 CVVT (92 kW)                  |               |
| 1.6 CRDi 128 (94 kW)              |               |
| 1.6 CRDi 115 (85 kW)              |               |
| 1.4 LPG (66 kW)                   |               |
| VENGA Hatchback Van (YN)          | 02/10 #       |
| CVVT (66 kW)                      |               |
| RIO IV Hatchback Van (YB, SC, FB) | 01/17 #       |
| 1.0 T-GDI 100 (74 kW)             |               |
| 1.0 T-GDI 120 (88 kW)             |               |
| STONIC Hatchback Van (YB)         | 07/17 #       |
| 1.0 T-GDi (74 kW)                 |               |
| 1.6 CRDi (85 kW)                  |               |
| SELTOS (SP2, SP2I)                | 08/19 #       |
| 1.6 MPi 4WD (89 kW)               |               |
| 2.0 MPi (110 kW)                  |               |
| <b>KIA</b>                        |               |
| SELTOS (SP2, SP2I)                | 08/19 #       |
| 1.6 T-GDi 4WD (130 kW)            |               |
| 1.6 MPi (90 kW)                   |               |
| 2.0 MPi 4WD (110 kW)              |               |
| <b>KTM</b>                        |               |
| X-Bow Décapotable                 | 07/08 #       |
| 2.0 (177 kW)                      |               |
| 2.0 R (200/220 kW)                |               |
| 2.0 GT (210 kW)                   |               |
| 2.0 RR (265 kW)                   |               |
| X-Bow Coupé                       | 07/08 #       |
| 2.0 GT4 (265 kW)                  |               |
| <b>LADA</b>                       |               |
| VESTA (GFL_)                      | 11/15 #       |
| 1.6 (83 kW)                       |               |
| VESTA SW Break (GFK_)             | 11/15 #       |
| 1.6 (83 kW)                       |               |
| XRAY (GAB_)                       | 02/16 #       |
| 1.6 Cross (83 kW)                 |               |
| <b>LANCIA</b>                     |               |
| DELTA III (844_)                  | 08/08 # 08/14 |
| 1.4 16V (103 kW)                  |               |
| LYBRA (839_)                      | 07/99 # 10/05 |
| 2.4 20V (125 kW)                  |               |
| 2.4 JTD (110 kW)                  |               |
| MUSA (350_)                       | 10/04 # 09/12 |
| 1.4 LPG (57 kW)                   |               |
| 1.6 D Multijet (85 kW)            |               |
| 1.4 (70 kW)                       |               |
| 1.3 D Multijet (66/70 kW)         |               |
| YPSILON (843_)                    | 10/03 # 12/11 |
| 1.2 (51 kW)                       |               |
| 1.4 LPG (57 kW)                   |               |
| YPSILON (312_)                    | 05/11 #       |
| 0.9 TwinAir (59 kW)               |               |
| 1.3 D Multijet (57/70 kW)         |               |
| 1.2 (51 kW)                       |               |
| 1.2 Bi-fuel (49/51 kW)            |               |
| 0.9 CNG (63/59 kW)                |               |

## SILVER *dynamic* AGM - 560 901 068 J38 2

|                                  |               |  |               |
|----------------------------------|---------------|--|---------------|
| <b>LANCIA</b>                    |               | <b>MERCEDES-BENZ</b>                                     |               |
| ZETA (22_)                       | 05/95 # 10/03 | CLASSE A A trois volumes (V177)                          | 09/18 #       |
| 2.0 Turbo (108 kW)               |               | A 180 (100 kW)   |               |
| 2.0 JTD 16V (80 kW)              |               | A 220 4-matic (140 kW)                                   |               |
| 2.1 TD (80 kW)                   |               | A 250 (165 kW)   |               |
| 2.0 JTD (80 kW)                  |               | A 220 (140 kW)   |               |
| <b>LAND ROVER</b>                |               | A 180 d (85 kW)  |               |
| FREELANDER I (L314)              | 02/98 # 10/06 | A 200 (120 kW)   |               |
| 1.8 16V 4x4 (86 kW)              |               | A 250 4-matic (165 kW)                                   |               |
| 1.8 i 16V 4x4 (88 kW)            |               | A 200 (110 kW)   |               |
| FREELANDER I Soft Top (L314)     | 02/98 # 10/06 | <b>CLASSE B Sports Tourer (W246, 10/11 # 12/18 W242)</b> |               |
| 1.8 4x4 (86 kW)                  |               | Electric Drive / B 250 e (65 kW)                         |               |
| 1.8 i 16V 4x4 (88 kW)            |               | <b>CLASSE B Sports Tourer (W247) 12/18 #</b>             |               |
| 2.5 V6 4x4 (130 kW)              |               | B 180 (100 kW)   |               |
| <b>LEXUS</b>                     |               | B 200 (120 kW)   |               |
| NX (_Z1_)                        | 07/14 #       | B 220 4-matic (140 kW)                                   |               |
| 300h (145 kW)                    |               | B 250 (165 kW)   |               |
| 300h AWD (114/145 kW)            |               | B 250 4-matic (165 kW)                                   |               |
| <b>MASERATI</b>                  |               | B 250 e (118 kW)   |               |
| 228                              | 08/86 # 06/93 | 190 (W201)   | 10/82 # 08/93 |
| 2.8 (182 kW)                     |               | E 1.8 (80 kW)  |               |
| 2.8 i (184 kW)                   |               | <b>CLASSE C T-Model (S202) 06/96 # 03/01</b>             |               |
| <b>MAZDA</b>                     |               | C 180 T (90 kW)  |               |
| CX-30 (DM)                       | 04/19 #       | C 200 T (100 kW)   |               |
| SKYACTIV-G M Hybrid (110 kW)     |               | C 200 T Kompressor (120 kW)                              |               |
| SKYACTIV-G M Hybrid AWD (110 kW) |               | <b>CLASSE C (W203) 05/00 # 12/07</b>                     |               |
| <b>MERCEDES-BENZ</b>             |               | C 230 Kompressor (141 kW)                                |               |
| CLASSE A (W168)                  | 07/97 # 08/05 | C 230 (150 kW)   |               |
| A 38 AMG Twin Engine (184 kW)    |               | <b>CLASSE C T-Model (S203) 03/01 # 08/07</b>             |               |
| CLASSE A (W169)                  | 04/04 # 06/12 | C 230 Kompressor (141 kW)                                |               |
| A 150 (70 kW)                    |               | C 230 (150 kW)   |               |
| A 160 CDI (60 kW)                |               | <b>CLASSE C Coupé (CL203) 03/01 # 06/11</b>              |               |
| CLASSE A (W177)                  | 03/18 #       | C 160 Kompressor (90 kW)                                 |               |
| A 160 (80 kW)                    |               | <b>CLASSE C (W205) 07/13 #</b>                           |               |
| A 180 (100 kW)                   |               | C 160 (95 kW)  |               |
| A 180 d (85 kW)                  |               | C 180 (115 kW)   |               |
| A 200 (120/110 kW)               |               | C 300 4-matic (190 kW)                                   |               |
| A 250 (165 kW)                   |               | C 180 (110 kW)   |               |
| A 250 4-matic (165 kW)           |               | C 200 EQ Boost (135 kW)                                  |               |
|                                  |               | C 200 EQ Boost 4-matic (135                              |               |

## SILVER *dynamic* AGM - 560 901 068 J38 2

|                                    |                |                                       |                |
|------------------------------------|----------------|---------------------------------------|----------------|
| <b>MERCEDES-BENZ</b>               |                | <b>MERCEDES-BENZ</b>                  |                |
| <b>CLASSE C (W205)</b>             | <b>07/13 #</b> | <b>CLASSE C Décapotable (A205)</b>    | <b>06/16 #</b> |
| kW)                                |                | C 180 (115 kW)                        |                |
| C 300 (183/190 kW)                 |                | C 300 EQ Boost 4-matic (190 kW)       |                |
| C 220 BlueTEC / d (125/120 kW)     |                | C 200 (150 kW)                        |                |
| C 250 BlueTEC / d (150 kW)         |                | C 200 EQ Boost (135 kW)               |                |
| C 180 BlueTEC / d (85 kW)          |                | C 200 EQ Boost 4-matic (135 kW)       |                |
| C 200 BlueTEC / d (100 kW)         |                | C 300 (190 kW)                        |                |
| C 250 BlueTEC / d 4-matic (150 kW) |                | C 300 EQ Boost (190 kW)               |                |
| <b>AMG C 63 (350 kW)</b>           |                | <b>CLA (C118)</b>                     |                |
| <b>AMG C 63 S (375 kW)</b>         |                | <b>03/19 #</b>                        |                |
| C 200 d (100 kW)                   |                | CLA 180 (100 kW)                      |                |
| C 300 4-matic (180 kW)             |                | CLA 220 4-matic (140 kW)              |                |
| C 300 EQ Boost (190 kW)            |                | CLA 250 (165 kW)                      |                |
| C 300 EQ Boost 4-matic (190 kW)    |                | CLA 220 (140 kW)                      |                |
| <b>CLASSE C T-Model (S205)</b>     |                | CLA 200 (120/110 kW)                  |                |
| <b>09/14 #</b>                     |                | CLA 250 4-matic (165 kW)              |                |
| C 160 (95 kW)                      |                | AMG CLA 35 4-matic (225 kW)           |                |
| C 180 (115 kW)                     |                | <b>CLA Shooting Brake (X118)</b>      |                |
| C 300 4-matic (190 kW)             |                | <b>06/19 #</b>                        |                |
| C 180 (115 kW)                     |                | CLA 180 (100 kW)                      |                |
| C 200 (135 kW)                     |                | CLA 200 (120 kW)                      |                |
| C 250 (155 kW)                     |                | CLA 220 (140 kW)                      |                |
| C 300 (190 kW)                     |                | CLA 250 (165 kW)                      |                |
| C 180 BlueTEC / d (85 kW)          |                | CLA 250 4-matic (165 kW)              |                |
| C 200 BlueTEC / d (100 kW)         |                | AMG CLA 35 4-matic (225 kW)           |                |
| C 300 EQ Boost (190 kW)            |                | CLA 200 (110 kW)                      |                |
| C 300 EQ Boost 4-matic (190 kW)    |                | <b>CLK (C208)</b>                     |                |
| <b>CLASSE C Coupé (C205)</b>       |                | <b>06/97 # 12/03</b>                  |                |
| <b>10/15 #</b>                     |                | CLK 200 (100 kW)                      |                |
| C 180 (110 kW)                     |                | <b>CLK Décapotable (A208)</b>         |                |
| C 200 4-matic (135 kW)             |                | <b>03/98 # 03/02</b>                  |                |
| C 200 EQ Boost (135 kW)            |                | CLK 200 (100 kW)                      |                |
| C 200 EQ Boost 4-matic (135 kW)    |                | <b>CLK (C209)</b>                     |                |
| C 300 (190 kW)                     |                | <b>05/02 # 03/10</b>                  |                |
| C 300 EQ Boost (190 kW)            |                | CLK 200 CGI (125 kW)                  |                |
| C 180 (115 kW)                     |                | <b>CLS (C257)</b>                     |                |
| C 300 EQ Boost 4-matic (190 kW)    |                | <b>12/17 #</b>                        |                |
| C 300 4-matic (190 kW)             |                | CLS 350 EQ Boost (220 kW)             |                |
| C 200 (150 kW)                     |                | AMG CLS 53 EQ Boost 4-matic+ (320 kW) |                |
|                                    |                | CLS 350 EQ Boost 4-matic (220 kW)     |                |
|                                    |                | CLS 450 EQ Boost 4-matic (270 kW)     |                |
|                                    |                | C 200 (150 kW)                        |                |
|                                    |                | <b>PONTON (W120)</b>                  |                |
|                                    |                | <b>01/53 # 12/62</b>                  |                |
|                                    |                | 180 (48 kW)                           |                |

## SILVER *dynamic* AGM - 560 901 068 J38 2

|                                     |               |                                |               |
|-------------------------------------|---------------|--------------------------------|---------------|
| <b>MERCEDES-BENZ</b>                |               | <b>MERCEDES-BENZ</b>           |               |
| PONTON (W120)                       | 01/53 # 12/62 | PONTON (W128)                  | 01/58 # 08/59 |
| 180 D (32 kW)                       |               | 220 SE (88 kW)                 |               |
| PONTON (W121)                       | 01/59 # 12/61 | PULLMANN (W100)                | 09/63 # 01/79 |
| 190 b (59 kW)                       |               | 600 (184 kW)                   |               |
| 190 Db (37 kW)                      |               | CLASSE S (W221)                | 09/05 # 12/13 |
| HECKFLOSSE (W110)                   | 08/59 # 02/68 | S 350 4-matic (200 kW)         |               |
| 190 C (59 kW)                       |               | S 350 BlueTec (190 kW)         |               |
| 190 DC (40 kW)                      |               | S 350 BlueTEC 4-matic (190 kW) |               |
| 200 (61/70 kW)                      |               | S 320 CDI (155 kW)             |               |
| /8 (W115)                           | 01/68 # 01/77 | S 320 CDI 4-matic (155 kW)     |               |
| 220 (77 kW)                         |               | CLASSE S Coupé (C216)          | 05/06 # 12/13 |
| CLASSE E (W213)                     | 01/16 #       | CL 63 AMG (386 kW)             |               |
| E 200 (145 kW)                      |               | PAGODE (W113)                  | 01/63 # 12/71 |
| E 200 EQ Boost (145 kW)             |               | 230 SL (110 kW)                |               |
| E 200 EQ Boost 4-matic (145 kW)     |               | 250 SL (110 kW)                |               |
| AMG E 53 EQ Boost 4-matic+ (320 kW) |               | 280 SL (125 kW)                |               |
| E 350 EQ Boost (220 kW)             |               | AMG GT (C190)                  | 10/14 #       |
| E 300 EQ Boost (190 kW)             |               | GT (350 kW)                    |               |
| E 300 e (155 kW)                    |               | GT R (430 kW)                  |               |
| CLASSE E T-Model (S213)             | 07/16 #       | GT S (384 kW)                  |               |
| E 200 EQ Boost (145 kW)             |               | GT C (410 kW)                  |               |
| E 300 EQ Boost (190 kW)             |               | AMG GT Roadster (R190)         | 11/16 #       |
| E 200 EQ Boost 4-matic (145 kW)     |               | GT (350 kW)                    |               |
| AMG E 53 EQ Boost 4-matic+ (320 kW) |               | GT C (410 kW)                  |               |
| CLASSE E Coupé (C238)               | 12/16 #       | GT S (384 kW)                  |               |
| E 200 EQ Boost (145 kW)             |               | GT R (430 kW)                  |               |
| E 350 EQ Boost (220 kW)             |               | CLASSE G (W460)                | 03/79 # 08/93 |
| E 200 EQ Boost 4-matic (145 kW)     |               | 230 G (66 kW)                  |               |
| E 300 EQ Boost (190 kW)             |               | CLASSE G (W461)                | 09/89 #       |
| AMG E 53 EQ Boost 4-matic+ (320 kW) |               | 230 GE (92 kW)                 |               |
| CLASSE E Décapotable (A238)         | 06/17 #       | G 300 CDI (135 kW)             |               |
| E 200 EQ Boost (145 kW)             |               | CLASSE G Cabrio (W463)         | 09/89 #       |
| E 350 EQ Boost (220 kW)             |               | 230 GE (93 kW)                 |               |
| E 200 EQ Boost 4-matic (145 kW)     |               | GLA (H247)                     | 02/20 #       |
| E 300 EQ Boost (190 kW)             |               | GLA 200 (120 kW)               |               |
| PONTON (W180)                       | 01/54 # 12/59 | GLA 250 (165 kW)               |               |
| 220 (63 kW)                         |               | GLA 250 4-matic (165 kW)       |               |
| 220 S (78 kW)                       |               | GLB (X247)                     | 07/19 #       |
|                                     |               | GLB 180 (100 kW)               |               |
|                                     |               | GLB 200 (120 kW)               |               |



## SILVER *dynamic* AGM - 560 901 068 J38 2

|  |               |
|--|---------------|
| <b>MERCEDES-BENZ</b>                     |               |
| GLB (X247)                               | 07/19 #       |
| GLB 250 4-matic (165 kW)                 |               |
| AMG GLB 35 4-matic (225 kW)              |               |
| GLB 250 (165 kW)                         |               |
| GLC Coupe (C253)                         | 06/16 #       |
| 250 4-matic (155 kW)                     |               |
| <b>MG</b>                                |               |
| MG 3                                     | 04/11 #       |
| 1.3 (65 kW)                              |               |
| 1.5 (80/78 kW)                           |               |
| MG ZS SUV                                | 10/17 #       |
| EV (105 kW)                              |               |
| 1.0 T-GDi (82 kW)                        |               |
| 1.5 VTi (78 kW)                          |               |
| MG ZT                                    | 06/01 # 10/05 |
| 1.8 16V (88 kW)                          |               |
| 1.8 T 16V (118 kW)                       |               |
| MG ZT- T                                 | 10/01 # 10/05 |
| 1.8 16V (88 kW)                          |               |
| 1.8 T 16V (118 kW)                       |               |
| <b>MG (NANJING)</b>                      |               |
| MG6                                      | 10/10 #       |
| 1.8 T (118 kW)                           |               |
| <b>MG (SAIC)</b>                         |               |
| 5 3/5 portes                             | 03/12 #       |
| 1.5 (79 kW)                              |               |
| GS                                       | 03/15 #       |
| 2.0 TGI (162 kW)                         |               |
| 2.0 TGI Traction intégrale (162 kW)      |               |
| ZS                                       | 03/17 #       |
| EV (105 kW)                              |               |
| <b>MINI</b>                              |               |
| MINI (R50, R53)                          | 06/01 # 09/06 |
| One (55 kW)                              |               |
| Cooper (85 kW)                           |               |
| Cooper S (120/125 kW)                    |               |
| Works (155 kW)                           |               |
| S Works (149 kW)                         |               |
| <b>MINI</b>                              |               |
| MINI (R56)                               | 11/05 # 01/14 |
| One (55 kW)                              |               |
| Cooper S (120/128 kW)                    |               |
| MINI COUNTRYMAN (F60)                    | 10/16 #       |
| Cooper SE ALL4 (100 kW)                  |               |
| Cooper SE ALL4 (92 kW)                   |               |
| MINI CLUBMAN (R55)                       | 10/06 # 12/15 |
| One (70 kW)                              |               |
| MINI PACEMAN (R61)                       | 03/12 # 10/16 |
| Cooper ALL4 (90 kW)                      |               |
| Cooper S ALL4 (120 kW)                   |               |
| <b>MITSUBISHI</b>                        |               |
| ASX (GA_W_)                              | 11/09 #       |
| 1.6 MIVEC (86 kW)                        |               |
| 1.6 LPG (86 kW)                          |               |
| COLT VI (Z3_A, Z2_A)                     | 10/02 # 12/12 |
| 1.1 (55 kW)                              |               |
| 1.3 (70 kW)                              |               |
| LANCER VIII (CY_A, CZ_A)                 | 03/07 #       |
| 1.6 MIVEC (86 kW)                        |               |
| 1.8 (103 kW)                             |               |
| 1.8 Flexfuel (103 kW)                    |               |
| LANCER VIII Sportback (CX_A)             | 10/07 #       |
| 1.6 MIVEC (86 kW)                        |               |
| MIRAGE / SPACE STAR VI 3/5 portes (A0_A) | 01/12 #       |
| 1.0 (52 kW)                              |               |
| 1.2 (59 kW)                              |               |
| <b>MORGAN</b>                            |               |
| AERO Coupé                               | 10/12 #       |
| 4.8 V8 (270 kW)                          |               |
| PLUS EIGHT                               | 01/68 #       |
| 4.8 V8 (270 kW)                          |               |
| <b>NISSAN</b>                            |               |
| JUKE (F15)                               | 06/10 #       |
| 1.6 (86 kW)                              |               |
| JUKE (F16_)                              | 08/19 #       |
| DIG-T 117 (86 kW)                        |               |
| KICKS (P15_)                             | 01/16 #       |
| 1.6 (88 kW)                              |               |

## SILVER *dynamic* AGM - 560 901 068 J38 2

|   |               |
|---|---------------|
| <b>NISSAN</b>                             |               |
| MICRA IV (K13K)                           | 05/10 #       |
| 1.2 DIG-S (72 kW)                         |               |
| MICRA V (K14)                             | 12/16 #       |
| 0.9 IG-T (66 kW)                          |               |
| 1.0 (54/52 kW)                            |               |
| 1.0 IG-T 100 (74 kW)                      |               |
| 1.0 DIG-T 117 (86 kW)                     |               |
| 0.9 LPG (64 kW)                           |               |
| NOTE (E12)                                | 09/12 #       |
| 1.2 LPG (56 kW)                           |               |
| 1.5 dCi (66 kW)                           |               |
| 1.2 (59 kW)                               |               |
| 1.2 DIG-S (72/65 kW)                      |               |
| PATHFINDER III (R51)                      | 01/05 #       |
| 4.0 4WD (198 kW)                          |               |
| PRIMERA (P12)                             | 01/02 #       |
| 1.6 (78 kW)                               |               |
| QASHQAI / QASHQAI +2 I (J10, NJ10, JJ10E) | 11/06 # 04/14 |
| 1.6 (84 kW)                               |               |
| 2.0 (104 kW)                              |               |
| 2.0 Traction intégrale (104 kW)           |               |
| <b>OPEL</b>                               |               |
| ADAM (M13)                                | 10/12 # 02/19 |
| 1.0 (66 kW)                               |               |
| 1.2 (51 kW)                               |               |
| 1.4 (64/74 kW)                            |               |
| 1.4 S (110 kW)                            |               |
| AGILA (B) (H08)                           | 04/08 # 10/14 |
| 1.0 (50 kW)                               |               |
| 1.2 (69 kW)                               |               |
| AMPERA (R12)                              | 11/11 # 03/15 |
| EV 150 (111 kW)                           |               |
| ASTRA J (P10)                             | 09/09 # 10/15 |
| 1.3 CDTI (70 kW)                          |               |
| ASTRA J A trois volumes                   | 06/12 #       |
| 1.3 CDTI (70 kW)                          |               |
| COMBO Tour (X12)                          | 02/12 #       |
| 1.4 (70 kW)                               |               |
| 1.3 CDTI (66 kW)                          |               |
| <b>OPEL</b>                               |               |
| COMBO                                     | 02/12 #       |
| Camionnette/Monospace (X12)               |               |
| 1.4 (70 kW)                               |               |
| 1.3 CDTI (59/66 kW)                       |               |
| 1.6 CDTI (66/77 kW)                       |               |
| 2.0 CDTI (99 kW)                          |               |
| 1.4 CNG (88 kW)                           |               |
| CORSA D (S07)                             | 07/06 # 08/14 |
| 1.2 (51 kW)                               |               |
| 1.4 (64/74 kW)                            |               |
| 1.3 CDTI (70 kW)                          |               |
| CORSA D Camionnette - 3/5 portes (S07)    | 07/06 # 08/14 |
| 1.2 (63 kW)                               |               |
| 1.4 (74/88 kW)                            |               |
| CORSA E (X15)                             | 09/14 #       |
| 1.0 (66 kW)                               |               |
| 1.4 (55/66 kW)                            |               |
| 1.2 (51 kW)                               |               |
| 1.4 Turbo (74/110 kW)                     |               |
| 1.3 CDTI (55/70 kW)                       |               |
| 1.4 LPG (66 kW)                           |               |
| 1.6 Turbo (152 kW)                        |               |
| CORSA E Camionnette - 3/5 portes (X15)    | 09/14 #       |
| 1.2 (51 kW)                               |               |
| 1.3 CDTI (55/70 kW)                       |               |
| 1.4 (66/55 kW)                            |               |
| KARL (C16)                                | 01/15 # 03/19 |
| 1.0 (52 kW)                               |               |
| 1.0 LPG (54 kW)                           |               |
| MERIVA B Monospace (S10)                  | 06/10 # 03/17 |
| 1.3 CDTI (70 kW)                          |               |
| ASTRA J Camionnette/Break (P10)           | 09/09 # 10/15 |
| 1.3 CDTi (70 kW)                          |               |
| ASTRA J Camionnette - 3/5 portes (P10)    | 09/09 # 10/15 |
| 1.3 CDTi (70 kW)                          |               |

## SILVER *dynamic* AGM - 560 901 068 J38 2

| PEUGEOT                                 |               | PEUGEOT                         |               |
|---|---------------|---------------------------------|---------------|
| 108                                     | 05/14 #       | 607 (9D, 9U)                    | 01/00 #       |
| 1.0 VTi (51 kW)                         |               | 2.0 (100 kW)                    |               |
| 207 SW (WK_)                            | 02/07 # 12/13 | 2.2 16V (116/120 kW)            |               |
| 1.6 HDi (68 kW)                         |               | 3.0 V6 24V (152 kW)             |               |
| 207 Camionnette - 3/5 portes (WA_, WC_) | 04/06 #       | 2.2 HDi (98/125 kW)             |               |
| 1.6 HDi (66 kW)                         |               | 2.0 HDi (80/100 kW)             |               |
| 208 I (CA_, CC_)                        | 03/12 # 03/20 | 2.0 HDi (79 kW)                 |               |
| 1.6 HDi / BlueHDi 75 (55 kW)            |               | 2008 I (CU_)                    | 03/13 #       |
| 1.6 e-HDi (82 kW)                       |               | 1.4 HDi (50 kW)                 |               |
| 208 Camionnette - 3/5 portes (CR_)      | 02/13 # 12/19 | 2008 II (UD_, US_, UY_, UK_)    | 08/19 #       |
| 1.2 VTi 68 / PureTech 68 (50 kW)        |               | e-2008 (100 kW)                 |               |
| 1.2 VTi 82 / PureTech 82 (60 kW)        |               | 3008 Monospace (0U_)            | 05/09 # 12/17 |
| 1.6 Blue HDi 100 (73 kW)                |               | 2.0 BlueHDi 135 Hybrid (100 kW) |               |
| 301                                     | 11/12 #       | 3008 SUV (MC_, MR_, MJ_, M4_)   | 05/16 #       |
| 1.2 PureTech 82 (61 kW)                 |               | Hybrid (133 kW)                 |               |
| 307 (3A/C)                              | 08/00 # 12/12 | Hybrid4 (220/147 kW)            |               |
| 1.6 BioFlex (80 kW)                     |               | 4008                            | 05/12 #       |
| 307 Break (3E)                          | 03/02 # 12/09 | 1.6 (86 kW)                     |               |
| 1.6 BioFlex (80 kW)                     |               | 2.0 AWC (110 kW)                |               |
| 307 SW (3H)                             | 03/02 # 12/09 | RCZ                             | 03/10 # 12/15 |
| 1.6 BioFlex (80 kW)                     |               | 1.6 THP 270 (199 kW)            |               |
| 308 SW I (4E_, 4H_)                     | 09/07 # 10/14 | BIPPER (AA_)                    | 02/08 #       |
| 2.0 Bioflex (103 kW)                    |               | 1.3 HDi 75 (55 kW)              |               |
| 406 Coupé (8C)                          | 03/97 # 02/05 | 1.3 HDi 80 / BlueHDi 80 (59 kW) |               |
| 2.2 (116 kW)                            |               | BIPPER TEPEE                    | 04/08 #       |
| 508 I (8D_)                             | 11/10 # 12/18 | 1.3 HDi 75 (55 kW)              |               |
| 1.6 VTi (85 kW)                         |               | PORSCHE                         |               |
| 1.6 THP (115/110 kW)                    |               | CAYENNE (9YA)                   | 05/17 #       |
| 508 SW I (8E_)                          | 11/10 # 12/18 | 2.9 S AWD (324 kW)              |               |
| 1.6 VTi (85 kW)                         |               | 3.0 AWD (250 kW)                |               |
| 1.6 THP (115/110 kW)                    |               | 4.0 Turbo AWD (404 kW)          |               |
| 508 II (FB_, FH_, F3_)                  | 09/18 #       | 3.0 E-Hybrid AWD (250 kW)       |               |
| Hybrid 225 (133 kW)                     |               | RENAULT                         |               |
| 508 SW II (FC_, FJ_, F4_)               | 09/18 #       | CAPTUR I (J5_, H5_)             | 06/13 #       |
| Hybrid 224 (133 kW)                     |               | 0.9 TCe 90 (66 kW)              |               |
| 605 (6B)                                | 06/89 # 09/99 | 1.3 TCe 150 (110 kW)            |               |
| 2.5 Turbo Diesel (95 kW)                |               | 1.3 TCe 130 (96 kW)             |               |
|   |               | 1.5 dCi (63 kW)                 |               |

## SILVER *dynamic* AGM - 560 901 068 J38 2

|                           |               |                          |               |
|---------------------------|---------------|--------------------------|---------------|
| <b>RENAULT</b>            |               | <b>SEAT</b>              |               |
| CAPTUR II (HF_)           | 01/20 #       | IBIZA IV (6J5, 6P1)      | 03/08 # 12/17 |
| E-TECH 160 (116 kW)       |               | 1.0 (55 kW)              |               |
| CLIO IV (BH_)             | 11/12 #       | 1.2 (44/51 kW)           |               |
| 1.6 RS Trophy (162 kW)    |               | 1.6 LPG (60 kW)          |               |
| CLIO V (B7_)              | 06/19 #       | 1.4 (63 kW)              |               |
| 1.0 TCe 100 (74 kW)       |               | 1.4 TDI (59/55 kW)       |               |
| KOLEOS II (HC_)           | 04/16 #       | 1.9 TDI (66/77 kW)       |               |
| 2.5 Sce (126 kW)          |               | 1.6 (77 kW)              |               |
| 1.6 dCi 130 (96 kW)       |               | 1.4 TSI (110 kW)         |               |
| 2.5 Sce 4WD (126 kW)      |               | 1.6 TDI (66/77/55 kW)    |               |
| MEGANE IV A trois volumes | 10/16 #       | 2.0 TDI (105 kW)         |               |
| 1.2 Tce 130 (97 kW)       |               | 1.2 TSI (77/66/81 kW)    |               |
| 1.5 dCi 90 (66 kW)        |               | 1.2 TDI (55 kW)          |               |
| 1.5 dCi 110 (81 kW)       |               | 1.0 TSI (81/70 kW)       |               |
| 1.5 Blue dCi 115 (85 kW)  |               | 1.2 LPG (51 kW)          |               |
| 1.5 Blue dCi 95 (70 kW)   |               | 1.4 LPG (63 kW)          |               |
| 1.6 dCi 130 (96 kW)       |               | IBIZA IV SC (6J1, 6P5)   | 06/08 # 12/18 |
| SAFRANE II (B54_)         | 07/96 # 12/00 | 1.0 (55 kW)              |               |
| 2.0 16V (100 kW)          |               | 1.2 TDI (55 kW)          |               |
| 2.5 20V (121 kW)          |               | 1.6 LPG (60 kW)          |               |
| SCÉNIC II (JM0/1_)        | 06/03 # 07/10 | 1.2 (51/44 kW)           |               |
| 1.6 Hi-Flex (81 kW)       |               | 1.4 (63 kW)              |               |
| GRAND SCÉNIC III (JZ0/1_) | 02/09 #       | 1.4 TDI (59 kW)          |               |
| 1.6 16V Bifuel (81 kW)    |               | 1.9 TDI (66/77 kW)       |               |
| 1.6 E85 (81 kW)           |               | 1.6 (77 kW)              |               |
| TWINGO III (BCM_, BCA_)   | 09/14 #       | 1.4 TSI (110 kW)         |               |
| 0.9 TCe 90 (66 kW)        |               | 1.4 TSI Cupra (132 kW)   |               |
| 0.9 TCe 110 (80 kW)       |               | 1.6 TDI (66/77/55 kW)    |               |
| 1.0 SCe 70 (52/51 kW)     |               | 2.0 TDI (105 kW)         |               |
| 0.9 TCe 90 LPG (66 kW)    |               | 1.2 TSI (77/63/66/81 kW) |               |
| 1.0 SCe 65 (48 kW)        |               | 1.0 TSI (70/81 kW)       |               |
| 1.0 SCe 75 (54 kW)        |               | 1.4 LPG (63 kW)          |               |
| 0.9 TCe 95 (68 kW)        |               | IBIZA IV ST (6J8, 6P8)   | 03/10 # 07/16 |
| ROLLS-ROYCE               |               | 1.0 (55 kW)              |               |
| CULLINAN (RR31)           | 08/18 #       | 1.4 TSI (110/103 kW)     |               |
| V12 (441 kW)              |               | 1.2 TDI (55 kW)          |               |
| SAAB                      |               | 1.2 TSI (77/63/66/81 kW) |               |
| 9-5 (YS3E)                | 09/97 # 12/09 | 1.2 (44/51 kW)           |               |
| 2.0 t BioPower (110 kW)   |               | 1.4 (63 kW)              |               |
| 2.0 t Biopower (132 kW)   |               | 1.6 TDI (66/77 kW)       |               |
|                           |               | 1.0 TSI (70/81 kW)       |               |
|                           |               | 1.6 (77 kW)              |               |

## SILVER *dynamic* AGM - 560 901 068 J38 2

|   |               |                               |               |
|---|---------------|-------------------------------|---------------|
| <b>SEAT</b>                             |               | <b>SKODA</b>                  |               |
| IBIZA IV Camionnette - 3/5 portes (6J1) | 04/08 # 05/15 | KAROQ (NU7, ND7)              | 07/17 #       |
| 1.2 (51 kW)                             |               | 1.0 TSI (85 kW)               |               |
| 1.6 TDI (66 kW)                         |               | 1.6 TDI (85 kW)               |               |
| 1.2 TDI (55 kW)                         |               | 2.0 TSI 4x4 (140 kW)          |               |
| IBIZA V (KJ1, KJG)                      | 01/17 #       | 1.5 TSI (110 kW)              |               |
| 1.0 MPi (59 kW)                         |               | 1.5 TSI 4x4 (110 kW)          |               |
| LEON (1P1)                              | 05/05 # 12/13 | OCTAVIA II (1Z3)              | 02/04 # 06/13 |
| 1.2 TSI (77 kW)                         |               | 1.4 TSI (90 kW)               |               |
| 1.4 TSI (92 kW)                         |               | OCTAVIA II Combi (1Z5)        | 02/04 # 06/13 |
| LEON (5F1)                              | 09/12 # 05/21 | 1.4 TSI (90 kW)               |               |
| 1.0 TSi (63 kW)                         |               | RAPID (NH3, NK3, NK6)         | 07/12 #       |
| 1.2 TSI (81 kW)                         |               | 1.0 TSI (70 kW)               |               |
| 1.0 TSI (85 kW)                         |               | 1.2 LPG (66/63/55 kW)         |               |
| LEON SC (5F5)                           | 01/13 # 12/18 | 1.2 TSI (66/81 kW)            |               |
| 1.0 TSI (85 kW)                         |               | 1.4 TSI (92 kW)               |               |
| LEON ST (5F8)                           | 09/12 # 08/20 | 1.6 SRE (66 kW)               |               |
| 1.0 TSi (63 kW)                         |               | RAPID Spaceback (NH1)         | 07/12 # 12/19 |
| 1.0 TSI (85 kW)                         |               | 1.0 TSI (70 kW)               |               |
| 1.6 TDI (77 kW)                         |               | 1.2 TSI (66/81 kW)            |               |
| Mii (KF1, KE1)                          | 10/11 #       | 1.4 TSI (92 kW)               |               |
| 1.0 (44 kW)                             |               | 1.2 LPG (63/55 kW)            |               |
| 1.0 EcoFuel (50 kW)                     |               | 1.6 SRE (81 kW)               |               |
| <b>SKODA</b>                            |               | SUPERB III (3V3)              | 03/15 #       |
| CITIGO (NF1)                            | 10/11 # 08/19 | 1.4 TSI IV (115 kW)           |               |
| 1.0 (44 kW)                             |               | SUPERB III Break (3V5)        | 03/15 #       |
| 1.0 LPG (55 kW)                         |               | 1.4 TSI IV (115 kW)           |               |
| 1.0 CNG (50 kW)                         |               | <b>SMART</b>                  |               |
| ENYAQ IV SUV (5AZ)                      | 10/20 #       | FORTWO Coupé (451)            | 01/07 #       |
| 80 (150 kW)                             |               | electric drive (20 kW)        |               |
| FABIA III (NJ3)                         | 08/14 # 06/21 | 1.0 (45/52 kW)                |               |
| 1.0 (44 kW)                             |               | electric drive Brabus (60 kW) |               |
| 1.0 LPG (44 kW)                         |               | FORTWO Cabrio (451)           | 01/07 #       |
| 1.2 TSI (66/81 kW)                      |               | electric drive (20 kW)        |               |
| 1.0 TSI (70/81 kW)                      |               | 1.0 (52 kW)                   |               |
| 1.4 TSI R5 (92 kW)                      |               | electric drive Brabus (60 kW) |               |
| FABIA III Break (NJ5)                   | 08/14 #       | FORTWO Coupé (453)            | 07/14 #       |
| 1.0 (44 kW)                             |               | 0.9 (66 kW)                   |               |
| 1.2 TSI (81/66 kW)                      |               | 1.0 (52/45 kW)                |               |
| 1.0 LPG (55 kW)                         |               | 0.9 Brabus (80 kW)            |               |
| 1.0 TSI (70/81 kW)                      |               |                               |               |

## SILVER *dynamic* AGM - 560 901 068 J38 2

|  |               |  |
|--|---------------|--|
| <b>SMART</b>                               |               |  |
| FORFOUR 3/5 portes (453)                   | 07/14 #       |  |
| 0.9 Brabus (80 kW)                         |               |  |
| 1.0 (52/45 kW)                             |               |  |
| FORTWO Décapotable (453)                   | 09/15 #       |  |
| 0.9 Brabus (80 kW)                         |               |  |
| <b>SUBARU</b>                              |               |  |
| TREZIA                                     | 11/10 #       |  |
| 1.3 (73 kW)                                |               |  |
| <b>SUZUKI</b>                              |               |  |
| SPLASH (EX)                                | 01/08 #       |  |
| 1.0 (50 kW)                                |               |  |
| 1.2 VVT (69 kW)                            |               |  |
| SX4 S-CROSS (JY)                           | 08/13 #       |  |
| 1.0 (82 kW)                                |               |  |
| 1.4 T (103 kW)                             |               |  |
| 1.4 T AllGrip (103 kW)                     |               |  |
| 1.0 AllGrip (82 kW)                        |               |  |
| 1.6 (85/87 kW)                             |               |  |
| 1.6 AllGrip (85 kW)                        |               |  |
| SWIFT IV (FZ, NZ)                          | 10/10 #       |  |
| 1.3 DDiS (55 kW)                           |               |  |
| VITARA (LY)                                | 02/15 #       |  |
| 1.0 (82 kW)                                |               |  |
| 1.6 (88/86/85 kW)                          |               |  |
| 1.6 AllGrip (88/86 kW)                     |               |  |
| 1.4 T (103 kW)                             |               |  |
| 1.4 T AllGrip (103 kW)                     |               |  |
| 1.0 AllGrip (82 kW)                        |               |  |
| 1.6 VVT AllGrip (93 kW)                    |               |  |
| <b>TOYOTA</b>                              |               |  |
| AURIS (_E15_)                              | 10/06 # 09/12 |  |
| 1.33 Dual-VVTi (73 kW)                     |               |  |
| AURIS (_E18_)                              | 10/12 # 12/18 |  |
| 1.2 (85 kW)                                |               |  |
| 1.3 (73 kW)                                |               |  |
| 1.8 (103 kW)                               |               |  |
| AURIS Break (_E18_)                        | 07/13 # 12/18 |  |
| 1.2 (85 kW)                                |               |  |
| 1.3 (73 kW)                                |               |  |
| 1.4 D-4D (66 kW)                           |               |  |
| <b>TOYOTA</b>                              |               |  |
| AURIS Break (_E18_)                        | 07/13 # 12/18 |  |
| 2.0 D-4D (91 kW)                           |               |  |
| AURIS VAN Camionnette - 3/5 portes (_E18_) | 03/13 # 12/18 |  |
| 1.4 D-4D (66 kW)                           |               |  |
| AVENSIS A trois volumes (_T27_)            | 11/08 # 10/18 |  |
| 1.6 VVT-i (97 kW)                          |               |  |
| 1.8 VVT-i (108 kW)                         |               |  |
| 2.0 VVT-i (112 kW)                         |               |  |
| AVENSIS Break (_T27_)                      | 11/08 # 10/18 |  |
| 1.6 VVT-i (97 kW)                          |               |  |
| 1.8 VVT-i (108 kW)                         |               |  |
| 2.0 VVT-i (112 kW)                         |               |  |
| AYGO (_B4_)                                | 05/14 #       |  |
| 1.0 VVTi (53 kW)                           |               |  |
| AYGO X (_B7_)                              | 03/22 #       |  |
| 1.0 VVT-i (53 kW)                          |               |  |
| C-HR (_X1_)                                | 10/16 #       |  |
| 1.2 (85 kW)                                |               |  |
| 1.2 4WD (85 kW)                            |               |  |
| 2.0 (109 kW)                               |               |  |
| COROLLA A trois volumes (_E18_, ZRE1_)     | 06/13 # 08/19 |  |
| 1.3 (73 kW)                                |               |  |
| URBAN CRUISER (_P1_)                       | 07/07 # 03/16 |  |
| 1.33 (73 kW)                               |               |  |
| YARIS (_P9_)                               | 01/05 # 12/14 |  |
| 1.33 VVT-i (74 kW)                         |               |  |
| YARIS (_P13_)                              | 12/10 #       |  |
| 1.3 (73 kW)                                |               |  |
| 1.5 (82 kW)                                |               |  |
| YARIS Camionnette - 3/5 portes (_P13_)     | 10/12 #       |  |
| 1.0 VVTi (53 kW)                           |               |  |
| YARIS (_P21_, _PA1_, _PH1_)                | 02/20 #       |  |
| 1.0 (53 kW)                                |               |  |
| 1.5 (92 kW)                                |               |  |

## SILVER *dynamic* AGM - 560 901 068 J38 2

|                                       |               |                                |               |
|---------------------------------------|---------------|--------------------------------|---------------|
| <b>VAUXHALL</b>                       |               | <b>VOLVO</b>                   |               |
| ADAM (M13)                            | 10/12 # 04/19 | C30 (533)                      | 09/06 # 12/13 |
| 1.0 (66 kW)                           |               | 1.8 FlexFuel (92 kW)           |               |
| 1.4 LPG (64 kW)                       |               | 2.0 FlexFuel (107 kW)          |               |
| 1.2 (51 kW)                           |               | C70 I Coupé (872)              | 03/97 # 09/02 |
| 1.4 (64/74 kW)                        |               | 2.0 T (120 kW)                 |               |
| 1.4 S (110 kW)                        |               | 2.4 (121/125 kW)               |               |
| AMPERA (R12)                          | 03/12 #       | 2.0 (132 kW)                   |               |
| EV 150 (111 kW)                       |               | T-5 (176 kW)                   |               |
| ASTRA Mk VI (J) A trois volumes (P10) | 06/12 # 10/15 | 2.4 T (142 kW)                 |               |
| 1.3 CDTI (70 kW)                      |               | C70 I Décapotable (873)        | 03/98 # 10/05 |
| COMBO Mk III (D)                      | 11/11 #       | 2.0 T (120 kW)                 |               |
| Camionnette/Monospace (X12)           |               | 2.0 (132 kW)                   |               |
| 1.3 CDTI (55 kW)                      |               | T5 (176/180 kW)                |               |
| CORSA Mk III (D) (S07)                | 07/06 # 08/14 | 2.4 T (142/147 kW)             |               |
| 1.2 i 16V (63 kW)                     |               | 2.4 (125 kW)                   |               |
| 1.3 CDTI (70 kW)                      |               | S80 II (124)                   | 03/06 # 12/16 |
| 1.4 (74 kW)                           |               | 2.0 FlexFuel (107 kW)          |               |
| CORSA Mk IV (E) (X15)                 | 08/14 #       | 2.5 T FlexFuel (147/170 kW)    |               |
| 1.0 (66 kW)                           |               | 2.5 T (147 kW)                 |               |
| 1.4 LPG (66 kW)                       |               | V70 II (285)                   | 11/99 # 12/08 |
| 1.2 (51 kW)                           |               | 2.5 AWD (155 kW)               |               |
| 1.4 (74/66 kW)                        |               | 240 (P242, P244)               | 08/74 # 12/93 |
| 1.3 CDTi (55/70 kW)                   |               | 2.0 (76 kW)                    |               |
| 1.6 VXR (151 kW)                      |               | 2.3 i Cat (85 kW)              |               |
| CORSAVAN Mk IV (E)                    | 10/14 #       | 2.1 (79/90 kW)                 |               |
| Camionnette - 3/5 portes (X15)        |               | 2.1 Turbo (114 kW)             |               |
| 1.2 (51 kW)                           |               | 2.3 (81/82/83/96/100/98/85 kW) |               |
| 1.4 (55 kW)                           |               | 240 Kombi (P245)               | 08/74 # 12/93 |
| 1.3 CDTi (55/70 kW)                   |               | 2.0 (71 kW)                    |               |
| MERIVA Mk II (B) (S10)                | 06/10 #       | 2.1 (79/80 kW)                 |               |
| 1.3 CDTI (55 kW)                      |               | 2.3 Cat (100 kW)               |               |
| 1.3 CDTi (70 kW)                      |               | 2.1 Turbo (114 kW)             |               |
| VIVA (C16)                            | 01/15 # 03/19 | 2.3 (81/82/83/96/98/100/85 kW) |               |
| 1.0 (52 kW)                           |               | 2.3 i Cat (85 kW)              |               |
| 1.0 LPG (54 kW)                       |               | 2.8 (95/114 kW)                |               |
| <b>VOLVO</b>                          |               | 2.0 D (50 kW)                  |               |
| C30 (533)                             | 09/06 # 12/13 | 260 (P262, P264)               | 08/74 # 07/82 |
| 1.6 (74 kW)                           |               | 2.8 (95 kW)                    |               |
| 1.8 (92 kW)                           |               | 340-360 (343, 345)             | 08/75 # 07/91 |
| 2.0 (107 kW)                          |               | 1.4 (46 kW)                    |               |
|                                       |               | 2.1 (90 kW)                    |               |

## SILVER *dynamic* AGM - 560 901 068 J38 2

|  |               |                               |               |
|--|---------------|-------------------------------|---------------|
| <b>VOLVO</b>                                       |               | <b>VOLVO</b>                  |               |
| 340-360 (343, 345)                                 | 08/75 # 07/91 | 850 (854)                     | 06/91 # 10/97 |
| 2.0<br>(65/80/82/83/85/70/68/77/87/81<br>kW)       |               | 2.0 (93 kW)                   |               |
| 1.7 (59 kW)  |               | 2.4 (103/125/106 kW)          |               |
| 340-360 A trois volumes (344)                      | 08/79 # 07/91 | 2.0 Turbo (155/132 kW)        |               |
| 1.4 (50 kW)  |               | T5 (166 kW)                   |               |
| 2.0<br>(66/75/85/68/77/87/82/80/81/83<br>kW)       |               | T5-R (184 kW)                 |               |
| 1.7 (59 kW)  |               | T5 R (176 kW)                 |               |
| 440 (445)  | 08/88 # 12/96 | 2.3 Turbo R (177 kW)          |               |
| 1.6 (61 kW)  |               | 2.4 GLE (142 kW)              |               |
| 2.0 (81/80 kW)                                     |               | 850 Break (855)               | 04/92 # 10/97 |
| 1.7 (75/70/78/64/58/60 kW)                         |               | 2.0 (93 kW)                   |               |
| 1.7 Turbo (88/90 kW)                               |               | 2.4 (103/125/106 kW)          |               |
| 1.8 (66/66 kW)                                     |               | 2.4 AWD (142 kW)              |               |
| 460 (464)  | 09/88 # 12/96 | 2.0 Turbo (155/132 kW)        |               |
| 1.6 (61 kW)  |               | T5 (166 kW)                   |               |
| 1.7 Turbo (90/88 kW)                               |               | T5-R (184 kW)                 |               |
| 1.7 (75/66/64/80/58 kW)                            |               | T5 R (176 kW)                 |               |
| 1.8 (66 kW)  |               | 2.4 GLE (142 kW)              |               |
| 2.0 (80/81 kW)                                     |               | 2.3 Turbo R (177 kW)          |               |
| 480 (482)  | 04/86 # 07/96 | 940 (944)                     | 08/90 # 03/95 |
| 1.7 (70 kW)  |               | 2.0 (82 kW)                   |               |
| 2.0 (81 kW)  |               | 2.3 (85/96 kW)                |               |
| 1.7 Turbo (88/90 kW)                               |               | 940 Kombi (945)               | 08/90 # 10/95 |
| 740 (744)  | 04/83 # 12/92 | 2.0 (82 kW)                   |               |
| 2.0 (76 kW)  |               | 2.3 (96/85 kW)                |               |
| 2.3<br>(96/83/96/114/85/84/95/117/86/111/82<br>kW) |               | 940 II (944)                  | 08/94 # 12/98 |
| 2.0 GLE (103/85 kW)                                |               | 2.3 (85 kW)                   |               |
| 2.0 Turbo (114 kW)                                 |               | 2.3 ti (99 kW)                |               |
| 2.3 GLE (103 kW)                                   |               | 940 II Break (945)            | 09/90 # 10/98 |
| 2.3 Turbo (125 kW)                                 |               | 2.3 (85 kW)                   |               |
| 740 Kombi (745)                                    | 08/84 # 12/92 | 2.3 ti (99 kW)                |               |
| 2.0 (76 kW)  |               | 960 (964)                     | 08/90 # 07/94 |
| 2.3 (83/84/85/87/82 kW)                            |               | 2.0 (82 kW)                   |               |
| 2.0 Turbo (114/121/118 kW)                         |               | <b>VW</b>                     |               |
| 2.3 Turbo (125 kW)                                 |               | BEETLE (5C1, 5C2)             | 04/11 # 07/19 |
| 2.0 16V (100 kW)                                   |               | 1.2 TSI 16V (77 kW)           |               |
|  |               | BEETLE Décapotable (5C7, 5C8) | 12/11 # 07/19 |
|  |               | 1.2 TSI 16V (77 kW)           |               |
|  |               | CADDY IV Monospace (SAB, SAJ) | 05/15 #       |
|  |               | 1.0 TSI (62 kW)               |               |



## SILVER *dynamic* AGM - 560 901 068 J38 2

|   |                      |
|---|----------------------|
| <b>VW</b>   |                      |
| <b>CADDY IV Monospace (SAB, SAJ)</b>              | <b>05/15 #</b>       |
| 1.4 TSI (96/92 kW)                                |                      |
| 1.2 TSI (62 kW)                                   |                      |
| 1.4 TGI CNG (81 kW)                               |                      |
| 1.6 (81 kW)                                       |                      |
| <b>CADDY IV Camionnette/Monospace (SAA, SAH)</b>  | <b>05/15 #</b>       |
| 1.0 TSI (75 kW)                                   |                      |
| 1.2 TSI (62 kW)                                   |                      |
| 1.4 TGI CNG (81 kW)                               |                      |
| 1.4 TSI (92 kW)                                   |                      |
| 1.6 (81 kW)                                       |                      |
| <b>CADDY ALLTRACK Monospace (SAB)</b>             | <b>05/15 #</b>       |
| 1.0 TSI (62 kW)                                   |                      |
| 1.4 TSI (96/92 kW)                                |                      |
| 1.2 TSI (62 kW)                                   |                      |
| <b>CADDY ALLTRACK Camionnette/Monospace (SAA)</b> | <b>05/15 #</b>       |
| 1.0 TSI (75 kW)                                   |                      |
| 1.2 TSI (62 kW)                                   |                      |
| 1.4 TSI (92 kW)                                   |                      |
| <b>GOLF III (1H1)</b>                             | <b>10/89 # 07/98</b> |
| 1.4 (40 kW)                                       |                      |
| 1.6 (74/55 kW)                                    |                      |
| 2.0 Syncro (85 kW)                                |                      |
| 2.0 (85 kW)                                       |                      |
| 2.0 GTI 16V (110 kW)                              |                      |
| 2.0 GL (79 kW)                                    |                      |
| <b>GOLF III Variant (1H5)</b>                     | <b>07/93 # 04/99</b> |
| 1.8 (55 kW)                                       |                      |
| 1.8 Syncro (66 kW)                                |                      |
| <b>GOLF III Cabriolet (1E7)</b>                   | <b>07/93 # 05/98</b> |
| 2.0 (85 kW)                                       |                      |
| <b>GOLF VI Décapotable (517)</b>                  | <b>03/11 # 05/16</b> |
| 1.4 TSI (92 kW)                                   |                      |
| <b>GOLF VII (5G1, BQ1, BE1, BE2)</b>              | <b>08/12 # 03/21</b> |
| e-Golf (85 kW)                                    |                      |
| 1.2 TSI (63/77/81 kW)                             |                      |
| <b>VW</b>   |                      |
| <b>GOLF VII (5G1, BQ1, BE1, BE2)</b>              | <b>08/12 # 03/21</b> |
| 1.6 (81 kW)                                       |                      |
| 1.0 TSI (81/85 kW)                                |                      |
| 1.5 TSI (96/110 kW)                               |                      |
| 1.5 TGI (96 kW)                                   |                      |
| <b>GOLF VII Van (5G1)</b>                         | <b>08/12 # 03/17</b> |
| 1.2 TSi BlueMotion (63 kW)                        |                      |
| <b>GOLF VII Variant (BA5, BV5)</b>                | <b>04/13 #</b>       |
| 1.0 TSI (63 kW)                                   |                      |
| 1.2 TSI (63 kW)                                   |                      |
| 1.6 (81 kW)                                       |                      |
| 1.5 TSI (96/110 kW)                               |                      |
| <b>GOLF VAN VII Variant (BA5)</b>                 | <b>04/13 # 03/17</b> |
| 1.2 TSi BlueMotion (63 kW)                        |                      |
| <b>GOLF VIII (CD1)</b>                            | <b>07/19 #</b>       |
| 1.0 TSI (66 kW)                                   |                      |
| 1.5 eTSI (110 kW)                                 |                      |
| 1.5 TSI (110 kW)                                  |                      |
| 1.5 TSI (96 kW)                                   |                      |
| <b>GOLF SPORTSVAN VII (AM1, AN1)</b>              | <b>02/14 # 08/20</b> |
| 1.0 TSI (63 kW)                                   |                      |
| 1.2 TSI (63 kW)                                   |                      |
| 1.5 TSI (96/110 kW)                               |                      |
| <b>GOLF PLUS V (5M1, 521)</b>                     | <b>12/04 # 12/13</b> |
| 1.2 TSI (63 kW)                                   |                      |
| 1.6 BiFuel (75 kW)                                |                      |
| 1.4 TSI (90 kW)                                   |                      |
| <b>GOLF PLUS Van (521)</b>                        | <b>01/09 # 08/14</b> |
| 1.2 TSi (77 kW)                                   |                      |
| 1.4 TSi (90 kW)                                   |                      |
| <b>JETTA IV (162, 163, AV3, AV2)</b>              | <b>01/08 #</b>       |
| 1.2 TSI 16V (77 kW)                               |                      |
| 1.6 (63 kW)                                       |                      |
| 1.4 TSI (92 kW)                                   |                      |
| <b>PASSAT B8 (3G2, CB2)</b>                       | <b>08/14 #</b>       |
| 1.4 TSI (92 kW)                                   |                      |
| 1.4 TSI 4motion (110 kW)                          |                      |
| 1.4 GTE Hybrid (160 kW)                           |                      |
| <b>PASSAT B8 Variant (3G5, CB5)</b>               | <b>08/14 #</b>       |
| 1.4 TSI (92 kW)                                   |                      |

## SILVER *dynamic* AGM - 560 901 068 J38 2

|                                       |  |
|---------------------------------------|--|
| <b>VW</b>                             |  |
| PASSAT B8 Variant (3G5, CB5) 08/14 #  |  |
| 1.4 TSI 4motion (110 kW)              |  |
| 1.4 GTE Hybrid (160 kW)               |  |
| PASSAT ALLTRACK B8 Variant 05/15 #    |  |
| (3G5, CB5)                            |  |
| 1.4 TSI 4motion (110 kW)              |  |
| POLO (9N_, 9A_) 10/01 # 10/14         |  |
| 1.4 BiFuel (60 kW)                    |  |
| POLO V (6R1, 6C1) 03/09 #             |  |
| 1.0 (44 kW)                           |  |
| 1.6 BiFuel (60 kW)                    |  |
| 1.2 TSI (66/77/81 kW)                 |  |
| 1.4 BiFuel (60 kW)                    |  |
| 1.2 (44 kW)                           |  |
| 1.6 TDI (55/66/77 kW)                 |  |
| 1.2 TDI (55 kW)                       |  |
| 1.4 TSI (103/110 kW)                  |  |
| 1.2 TSI 16V (66 kW)                   |  |
| 1.6 (81 kW)                           |  |
| 1.0 TSI (70/81 kW)                    |  |
| 1.8 GTI 230 (169 kW)                  |  |
| POLO Van (6R) 03/09 #                 |  |
| 1.0 (44 kW)                           |  |
| 1.0 TSI (70 kW)                       |  |
| 1.2 TSI (66/81 kW)                    |  |
| 1.2 (44 kW)                           |  |
| 1.2 BlueMotion (51 kW)                |  |
| 1.2 TDi BlueMotion (55 kW)            |  |
| 1.6 TDi (55/77 kW)                    |  |
| 1.6 TDi BlueMotion (66 kW)            |  |
| 1.2 TSi BlueMotion (77 kW)            |  |
| POLO VI (AW1, BZ1, AE1) 06/17 #       |  |
| 1.0 (48 kW)                           |  |
| 1.0 TGI (66 kW)                       |  |
| 1.0 MPi (59 kW)                       |  |
| 1.6 TDI (59/70 kW)                    |  |
| 1.5 TSI (110 kW)                      |  |
| SCIROCCO III (137, 138) 05/08 # 11/17 |  |
| 1.4 TSI (92 kW)                       |  |
| TOURAN (5T1) 05/15 #                  |  |
| 1.0 TSI (85 kW)                       |  |
| <b>VW</b>                             |  |
| TOURAN (5T1) 05/15 #                  |  |
| 1.2 TSI (81 kW)                       |  |
| T-ROC (A11, D11) 07/17 #              |  |
| 1.0 TSI (85 kW)                       |  |
| 1.0 TSI 4motion (85 kW)               |  |
| 1.5 TSI (110 kW)                      |  |
| 1.5 TSI 4motion (110 kW)              |  |
| T-ROC Décapotable (AC7, AC8) 12/19 #  |  |
| 1.0 TSI (85 kW)                       |  |
| 1.5 TSI (110 kW)                      |  |
| UP! (121, 122, BL1, BL2, BL3, 08/11 # |  |
| 123)                                  |  |
| 1.0 (44 kW)                           |  |
| 1.0 EcoFuel (50 kW)                   |  |
| 1.0 TSI (66 kW)                       |  |
| LOAD UP (121, 122, BL1, BL2) 12/14 #  |  |
| 1.0 BlueMotion (55 kW)                |  |
| 1.0 TSi BlueMotion (66 kW)            |  |
| <b>ZHONGHUA (BRILLIANCE)</b>          |  |
| H530 08/11 #                          |  |
| 1.6 (87 kW)                           |  |
| JUNJIE FSV 03/06 #                    |  |
| 1.5 (77 kW)                           |  |
| <b>CASE IH</b>                        |  |
| FARMALL 201209 #                      |  |
| 55A (41 kW) 09/12 #                   |  |
| <b>FENDT</b>                          |  |
| Farmer                                |  |
| Farmer 1                              |  |
| Farmer 25                             |  |
| <b>FORD</b>                           |  |
| 8000-Serie                            |  |
| 8160, 8260, 8360, 8560                |  |
| <b>JOHN DEERE</b>                     |  |
| Series 2050 198301 # 198612           |  |
| 2255 (37 kW) 01/83 # 12/86            |  |
| 2350 (41 kW) 01/83 # 12/86            |  |

# SILVER *dynamic* AGM - 560 901 068 J38 2

## JOHN DEERE

### 2000-Serie

2155

2355, 2355 N

2555, 2755, 2855, 2855 N

### 4000-Serie

4100, 4300

### 6000-Serie

6100, 6200, 6300, 6400, 6600

### Gardenmachines

855

## KOMATSU

### Hydraulikbagger

PC30MR-2 (21 kW)

### Kompaktlader

SK510-5 (23 kW)

## LANDINI

**MISTRAL** **199810 #**

40 (26 kW) 01/11 #

45 (32 kW) 01/11 #

50 (35 kW) 01/11 #

55 (40 kW) 01/11 #

### Mistral

MISTRAL 40

MISTRAL 45, 50

## MCCORMICK

**GM** **200801 #**

40 (26 kW) 01/08 #

45 (32 kW) 01/08 #

50 (35 kW) 01/08 #

55 (40 kW) 01/08 #

## STEYR

### Others

D 80, 84